

# nectre



GOOD  
DESIGN  
AWARD®  
WINNER



[nectre.com.au](http://nectre.com.au)





**AUSTRALIAN MADE**

Established in 1980, the Nectre brand has long been recognised as a honest and reliable wood heater that produces stunning warmth and comfort from a timeless design with easy to operate features. Today, that Nectre warmth and comfort is enjoyed in well over 7 countries.

We are proud of our tradition, history and even more so to be one of the leading Australian wood heater manufacturers. We strive to make the very best heater for value while providing excellent all-round performance. We are driven daily to achieve manufacturing excellence and as such every Nectre wood heater meets or exceeds AS/NZS 4012:2014 and AS/NZS 4013:2014 standards.

The famous Australian Made® logo is the true mark of Aussie authenticity and is Australia's most trusted, recognised and widely used country of origin symbol, underpinned by a third-party accreditation system, which ensures products that carry the logo are certified as 'genuinely Australian'.

Nectre heaters are designed and manufactured right here in Australia, delivering rock-solid build quality, exceptional heating performance and timeless classic design to all Australians.

# Nectre FORM 1



**GOOD  
DESIGN  
AWARD®  
GOLD WINNER**

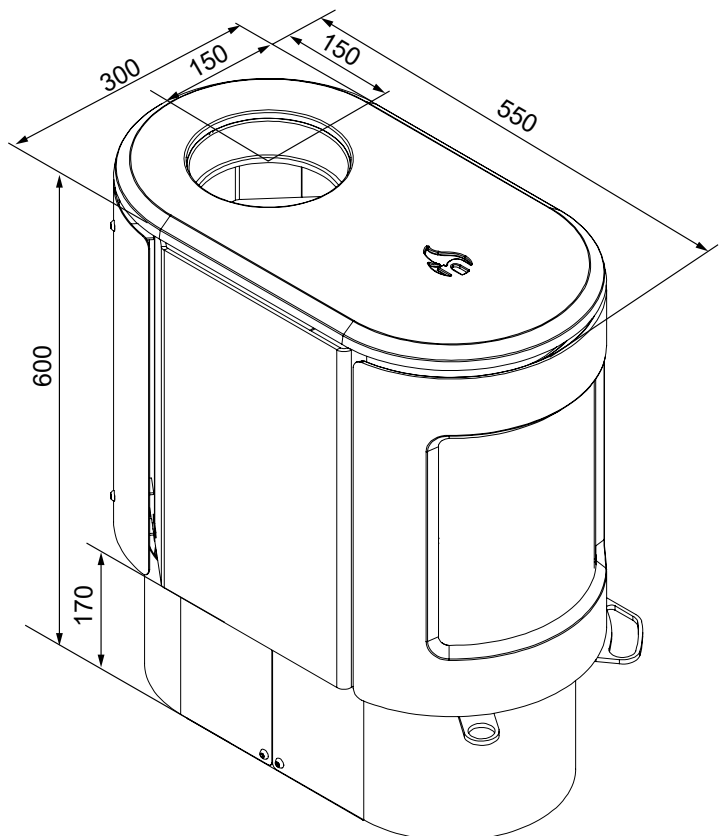


**Displayed: PEDESTAL**  
**Size: 300(w) x 550(d) x 600(h)**

A fresh and novel take on what a combustion heater can look like, and the only wood heater in the Australian wood heating landscape with its narrow yet deep form factor. The sleek capsule shape is resolved with cast iron, high quality stainless steel controls and curved glass, which offers a wider view of the flames, impressive performance and heating efficiency.

## SPECIFICATIONS

Coverage	Up to 90m <sup>2</sup>
Heat Output	Max ave. 7kW
Efficiency	70%
Emissions	0.70g/kg
Firebox size	235(w) x 365(d) x 270(h)
Max log width	340mm
Heater Weight	80kg
Heating style	Radiant



**BurnWise**  
Sustainable Wood Heating Solutions

\*All dimensions are in millimeters (mm) unless specified otherwise and are shown without side shields fitted (if available). In the interest of product development, Glen Dimplex Australia Pty Ltd reserve the right to change product specifications without prior notice. Refer to the IOM online for the latest up to date information.

# Nectre **FORM 2**



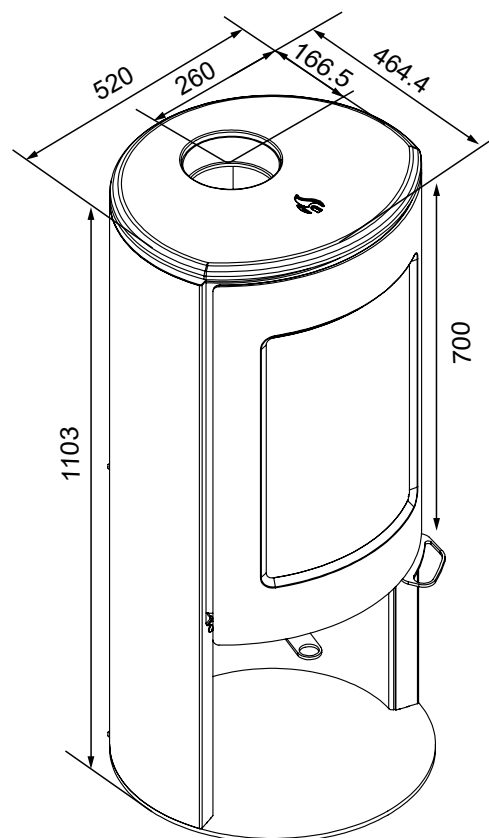
**GOOD  
DESIGN  
AWARD®  
WINNER**

**Displayed: WOODSTACKER**  
**Size: 520(w) x 465(d) x 1103(h)**

Designed to suit the modern Australian home, it is not only clean and extremely modern in its aesthetics but performs exceptionally well with low emissions and powerful heat output. The ability to connect the air intake of the heater to an outside air source, will mean that it can efficiently heat the modern Australian home. A cast iron door and top plate not only resonate the robust quality synonymous with the Nectre brand but also more effectively radiate heat into the home. A large pane of curved, flame-resistant glass gives a more captivating view of the fire.

## SPECIFICATIONS

Coverage	Up to 180m <sup>2</sup>
Heat Output	Max ave. 13kW
Efficiency	65%
Emissions	0.60g/kg
Firebox size	335(w) x 295(d) x 365(h)
Max log width	330mm
Heater Weight	146kg
Heating style	Convection



\*All dimensions are in millimeters (mm) unless specified otherwise. In the interest of product development, Glen Dimplex Australia Pty Ltd reserve the right to change product specifications without prior notice. Refer to the IOM online for the latest up to date information.

# Nectre N15

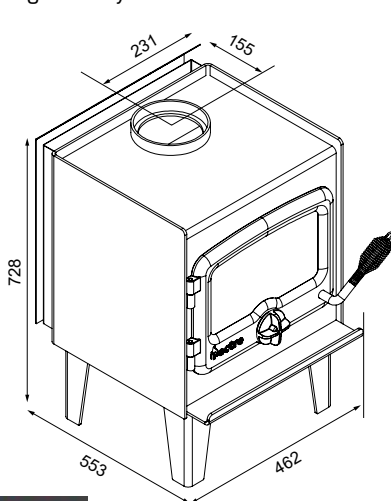


**Displayed: WOODSTACKER**  
**Size: 462(w) x 553(d) x 965(h)**

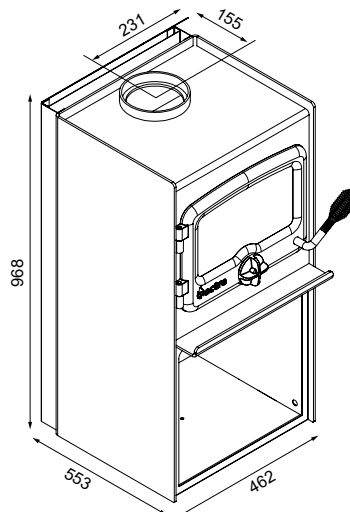
If you don't have much space to play with – don't worry. The Nectre N15 is simple, classic and compact, but offers an impressive radiant heating capacity of up to 160m<sup>2</sup>. Available in three variants, the Nectre N15 is the perfect choice for adding some wood fired magic to any corner of the room. Grab a book and get cosy.

## SPECIFICATIONS

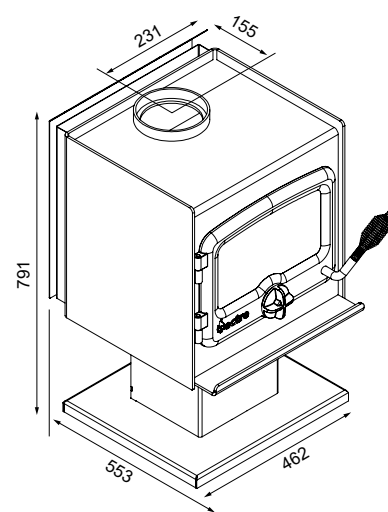
Coverage	Up to 160m <sup>2</sup>	Max log width	330mm
Heat Output	Max ave. 13kW	Heater Weight	Legs 102kg Pedestal 108kg Wood Stacker 131kg
Efficiency	79%	Heating style	Radiant
Emissions	1.3g/kg		
Firebox size	370(w) x 320(d) x 320(h)		



**Legs**



**Wood Stacker**



**Pedestal**

**BurnWise**  
WOOD FIRES

\*All dimensions are in millimeters (mm) unless specified otherwise and are shown without side shields fitted (if available). In the interest of product development, Glen Dimplex Australia Pty Ltd reserve the right to change product specifications without prior notice. Refer to the IOM online for the latest up to date information.

# Nectre N60

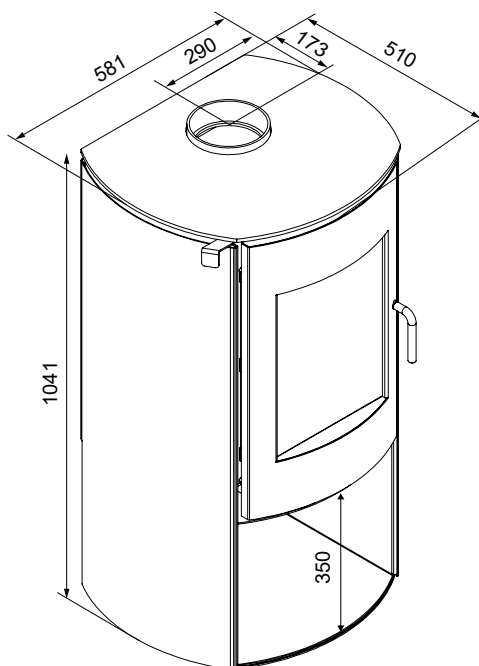


Displayed: **CURVE SIDE**  
Size: **581(w) x 510(d) x 1041(h)**

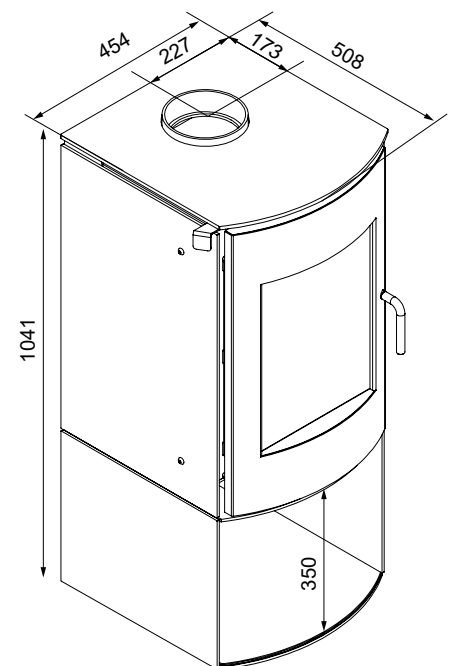
The Nectre N60 combines low emissions and high efficiency with great looks and easy to use functions, making it an easy favourite. It's minimal design fits beautifully in either traditional or contemporary living areas.

## SPECIFICATIONS

Coverage	Up to 170m <sup>2</sup>
Heat Output	Max ave. 11kW
Efficiency	73%
Emissions	0.60g/kg
Firebox size	345(w) x 275(d) x 450(h)
Max log width	300mm
Heater Weight	Naked 178kg Curved 188kg
Heating style	Radiant/ Convection



**Curved**



**Naked**



\*All dimensions are in millimeters (mm) unless specified otherwise and are shown without side shields fitted (if available). In the interest of product development, Glen Dimplex Australia Pty Ltd reserve the right to change product specifications without prior notice. Refer to the IOM online for the latest up to date information.

# Nectre MK1



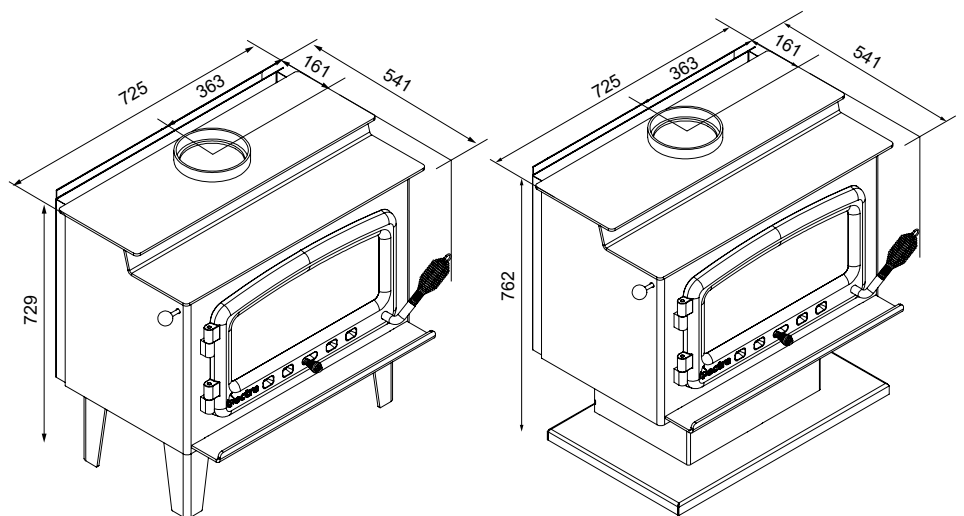
Displayed: **LEGS**

Size: 725(w) x 541(d) x 729(h)

A powerful and robust radiant fireplace, the Nectre Mk1 is a popular choice with a classic design that works well in both traditional and modern settings. For someone who wants to add timeless charm to a contemporary space or simply be captivated by the rustic look, the Mk1 and its impressive heating performance make it a standout.

## SPECIFICATIONS

Coverage	Up to 200m <sup>2</sup>
Heat Output	Max ave. 19kW
Efficiency	73%
Emissions	0.95g/kg
Firebox size	580(w) x 315(d) x 340(h)
Max log width	500mm
Heater Weight	Legs 134kg Pedestal 143kg
Heating style	Radiant



**Legs**

**Pedestal**

**BurnWise**

\*All dimensions are in millimeters (mm) unless specified otherwise and are shown without side shields fitted (if available). In the interest of product development, Glen Dimplex Australia Pty Ltd reserve the right to change product specifications without prior notice. Refer to the IOM online for the latest up to date information.



# Nectre MK2



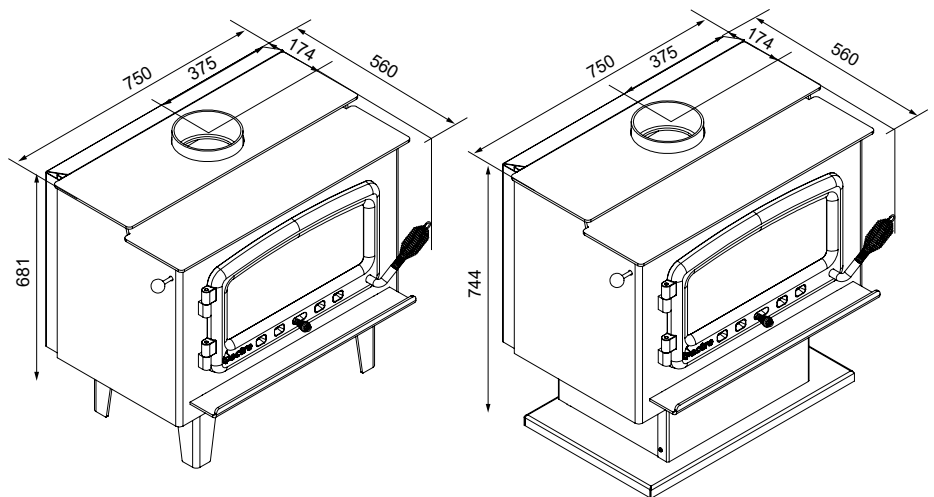
**Displayed: PEDESTAL**  
**Size: 750(w) x 560(d) x 744(h)**

The Nectre Mk2 is a simple and elegant radiant/convective wood heater, powerful enough to heat around 185m<sup>2</sup> of living area. Mk2's convective design allows more flexible placement in the home compared to pure radiant wood heaters. Available with either legs or pedestal base and optional fan (pedestal base only), your Mk2 fireplace can perfectly complement your space and design tastes.

## SPECIFICATIONS

Coverage	Up to 200m <sup>2</sup>
Heat Output	Max ave. 18kW
Efficiency	73%
Emissions	0.80g/kg
Firebox size	515(w) x 305(d) x 330(h)
Max log width	450mm
Heater Weight	Legs 163kg Pedestal 177kg
Heating style	Radiant/ Convection

\*Optional 3 speed fan for pedestal only



**Legs**

**Pedestal**



\*All dimensions are in millimeters (mm) unless specified otherwise and are shown without side shields fitted (if available). In the interest of product development, Glen Dimplex Australia Pty Ltd reserve the right to change product specifications without prior notice. Refer to the IOM online for the latest up to date information.

# Nectre MK3



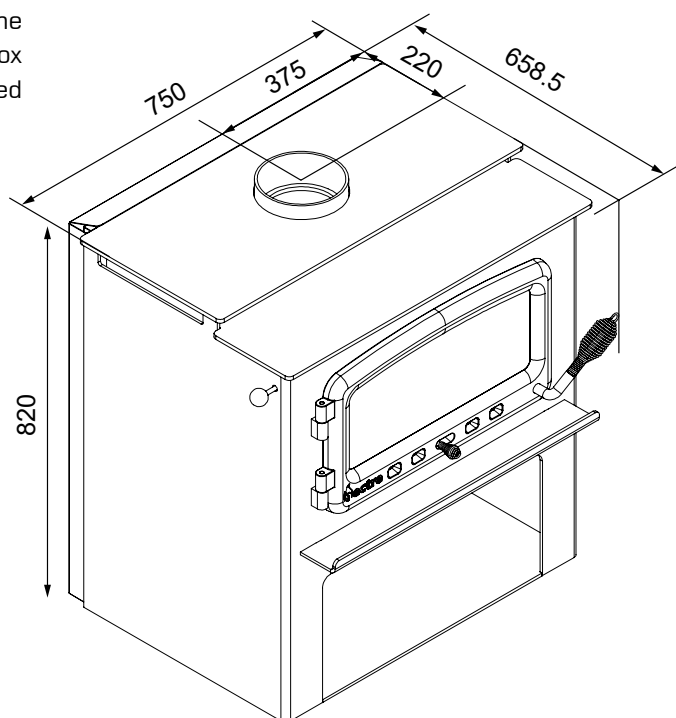
Displayed: **WOODSTACKER**  
Size: **750(w) x 627(d) x 820(h)**

The Nectre Mk3 is a strong performer, combining its timeless design and powerful radiant/convective heat output with the practicality of built-in firewood storage. With a deeper firebox than our Mk1 or Mk2 models, and featuring a remote controlled 3-speed fan, the Mk3 does it all.

## SPECIFICATIONS

Coverage	Up to 270m <sup>2</sup>
Heat Output	Max ave. 18kW
Efficiency	62%
Emissions	1.1g/kg
Firebox size	530(w) x 400(d) x 330(h)
Max log width	450mm
Heater Weight	244kg
Heating style	Radiant / Convection

\*3 speed remote control fan comes as standard



\*All dimensions are in millimeters (mm) unless specified otherwise and are shown without side shields fitted (if available). In the interest of product development, Glen Dimplex Australia Pty Ltd reserve the right to change product specifications without prior notice. Refer to the IOM online for the latest up to date information.

# Nectre MEGA

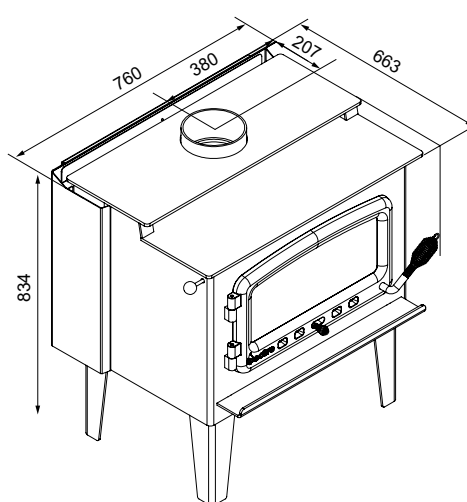


Displayed: **PEDESTAL**  
Size: **760(w) x 663(d) x 838 (h)**

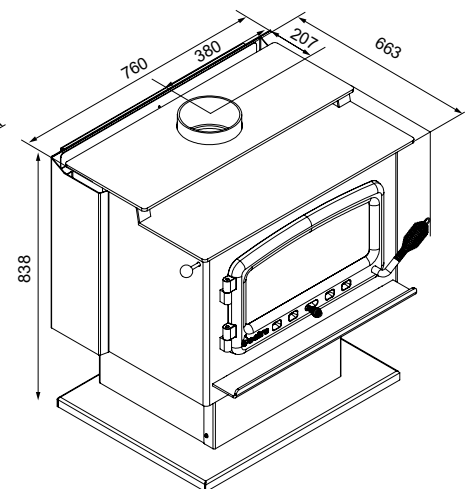
The highest output heater in the Nectre range - the MEGA is designed to heat larger living spaces through its utilisation of both convection and radiant heating, giving you the best of both worlds.

## SPECIFICATIONS

Coverage	Up to 340m <sup>2</sup>
Heat Output	Max ave. 18kW
Efficiency	62%
Emissions	1.5g/kg
Firebox size	600(w) x 430(d) x 320(h)
Max log width	500mm
Heater Weight	Legs 249kg Pedestal 262kg Pedestal with Fan 263kg
Heating style	Radiant / Convection



**Legs**



**Pedestal**

\*Optional 3 speed fan for pedestal model only



\*All dimensions are in millimeters (mm) unless specified otherwise and are shown without side shields fitted (if available). In the interest of product development, Glen Dimplex Australia Pty Ltd reserve the right to change product specifications without prior notice. Refer to the IOM online for the latest up to date information.

# Nectre **INBUILT**



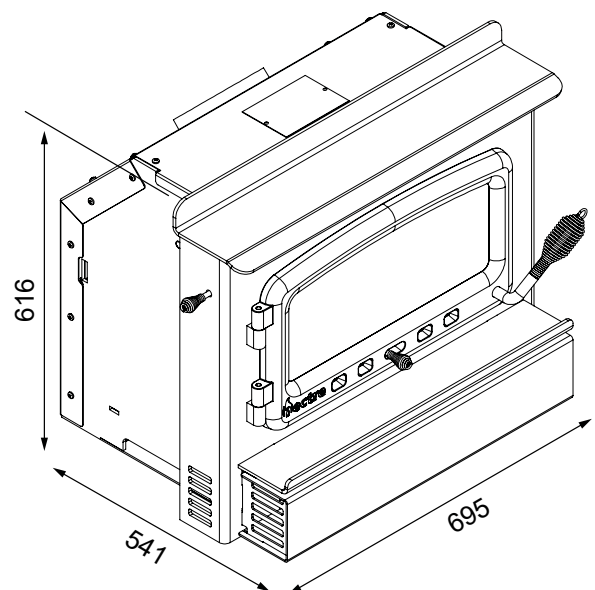
**Displayed: INBUILT**  
**Size: 695(w) x 541(d) x 616(h)**

The Nectre Inbuilt is the ideal solution for most masonry fireplaces. It will turn your fireplace into a low emission, effective heating source, all the while retaining the charm that can only be achieved through a wood fire. Featuring a remote controlled three-speed fan, the Inbuilt will deliver all the warmth and charm you expect from a Nectre.

## SPECIFICATIONS

Coverage	Up to 160m <sup>2</sup>
Heat Output	Max ave. 10kW
Efficiency	62%
Emissions	0.90g/kg
Firebox size	500(w) x 325(d) x 370(h)
Max log width	430mm
Heater Weight	169kg
Heating style	Radiant / Convection

\*3 speed remote control fan comes as standard



\*All dimensions are in millimeters (mm) unless specified otherwise and are shown without side shields fitted (if available). In the interest of product development, Glen Dimplex Australia Pty Ltd reserve the right to change product specifications without prior notice. Refer to the IOM online for the latest up to date information.

# Nectre N900



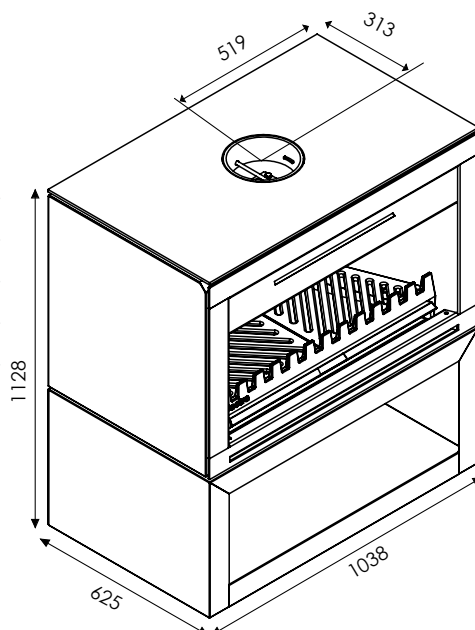
Displayed: **FREESTANDING**  
Size: **1038 (w) x 625(d) x 1128(h)**

The Nectre N900 is one of the largest open fronted, wood burning fireplaces on the market. It offers versatility in its installation, in either a freestanding woodstacker or a built-in, with the option for masonry installation. The N900 can become the centrepiece of any room or undercover alfresco area.

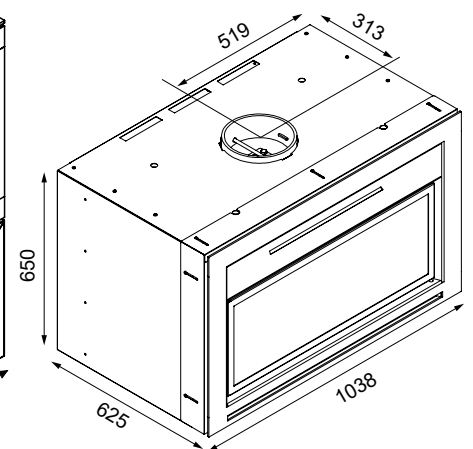
## SPECIFICATIONS

Coverage	Up to 100m <sup>2</sup>
Heat Output	Up to 15kW
Firebox size	880(w) x 340(d) x 320(h)
Max log width	600mm
Heater Weight	Up to 250kg
Heating style	Convection

\*3 speed remote control fan comes as standard



**Woodstacker**



**Inbuilt**  
(spark arrestor included)



\*All dimensions are in millimeters (mm) unless specified otherwise and are shown without side shields fitted (if available). In the interest of product development, Glen Dimplex Australia Pty Ltd reserve the right to change product specifications without prior notice. Refer to the IOM online for the latest up to date information.

# Nectre **BAKERS OVEN**



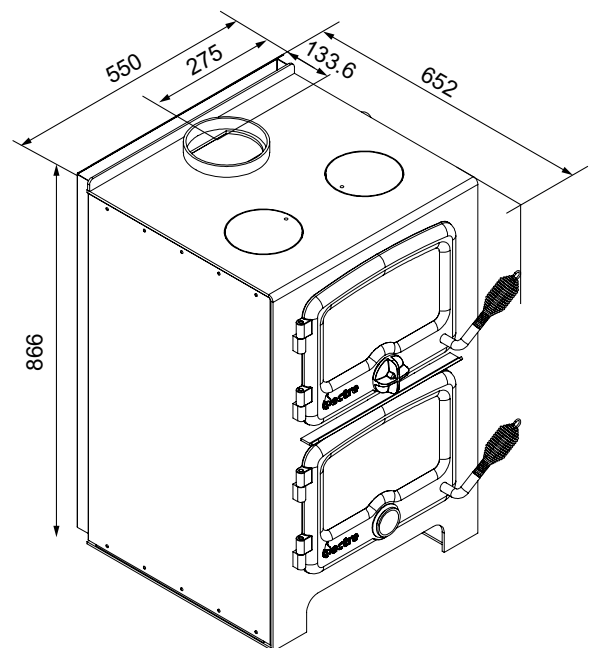
**Displayed: FREESTANDING**  
**Size: 550(w) x 652(d) x 866(h)**

Why stop at just heating your home? The Nectre Bakers Oven gives you the option to warm your living area and cook meals with the efficiency and natural power of a real wood fire. With a small footprint and its traditional styled stove top and large oven, imagine impressing your guests in a cosy corner of your home with the sights and smells of home cooking while watching logs smoulder and flames dance.

## SPECIFICATIONS

Coverage	Up to 120m <sup>2</sup>
Heat Output	Up to 11kW
Firebox size	340(w) x 300(d) x 380(h)
Max log width	430mm
Heater Weight	166kg
Heating style	Radiant

\*Optional factory fitted domestic hot water booster



**BurnWise**  
Sustainable Living Solutions

\*All dimensions are in millimeters (mm) unless specified otherwise and are shown without side shields fitted (if available). In the interest of product development, Glen Dimplex Australia Pty Ltd reserve the right to change product specifications without prior notice. Refer to the IOM online for the latest up to date information.

# Nectre **BIG BAKERS OVEN**



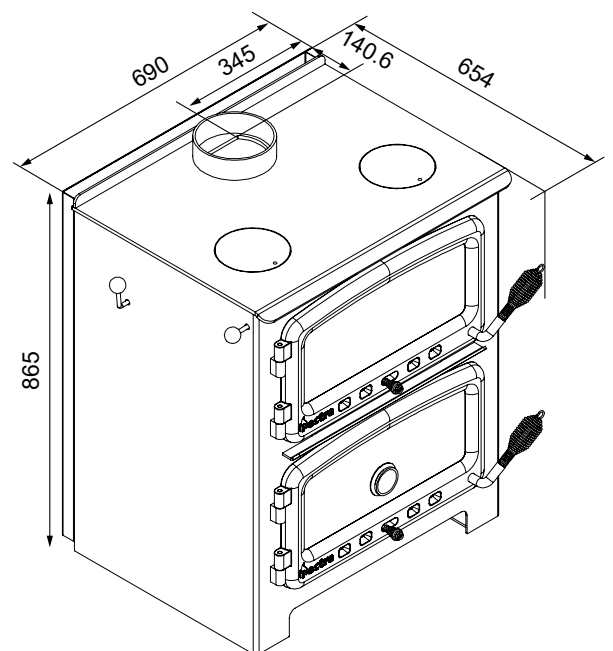
Displayed: **FREESTANDING**  
Size: **690(w) x 654(d) x 865(h)**

The Nectre Big Bakers Oven offers all the familiar features of its smaller sibling and then some. Its larger footprint affords a more spacious oven and cooktop, perfect for feeding a larger crowd. The upgraded size of the Big Bakers Oven pairs perfectly with the inherent character and charm that Nectre is known for.

## SPECIFICATIONS

Coverage	Up to 200m <sup>2</sup>
Heat Output	Up to 14kW
Firebox size	485(w) x 295(d) x 300(h)
Max log width	445mm
Heater Weight	231kg
Heating style	Radiant

\*Optional factory fitted domestic hot water booster



**BurnWise**  
Sustainable Heating Solutions

\*All dimensions are in millimeters (mm) unless specified otherwise and are shown without side shields fitted (if available). In the interest of product development, Glen Dimplex Australia Pty Ltd reserve the right to change product specifications without prior notice. Refer to the IOM online for the latest up to date information.

# How to Choose a Wood Heater?

Taking the time to understand how a wood heater works and your heating requirements.

Find the best type of wood heater for you. There are two basic types of wood heaters in Australia, radiant and convection.

Work out the size and space you require to heat. Measure the size of the room or rooms as well as the height of the ceilings.

Find out the level of insulation in your house. Modern houses will have wall and roof insulation, making them more efficient.

Window glazing and furnishings are important to know to understand how much heat is lost in the house.

The layout of your home will have a direct impact on the selecting the best heater for you. The location of the heater and the number of levels in the home are also vital.

Get the correct sized unit for your house. Units that are too small or too large will be inefficient and possibly dangerous to operate.

The geographic location of your house is also important. Different areas of Australia require different heating needs.

## RADIANT HEATERS

(Nectre Form 1, Mk1 & N15)

A radiant heater does not have any outer casings on the firebox except for a rear heatshield. A radiant heater will heat the objects in the room in a straight line from the heater, like an electric bar radiator. Radiant heaters are ideal for rooms with high ceilings and used in conjunction with a ceiling fan is a very effective method of heating. A radiant heater will require a larger clearance to the sides than a convection style heater.

## RADIANT / CONVECTION HEATER

(Nectre Form 2, Mk2, Mk3, Mega, N60, & Inbuilt)

A radiant/convection heater will emit radiant heat from the front of the heater and the lower top, front step but has a convection chamber built into the sides and rear of the appliance which allows for the addition of a fan to increase the speed of this convection air. The side clearances are also reduced because of these air gaps. A natural convection is created through this chamber depending on the burn rate of the fire but an optional fan can be added to increase the speed of this air movement. No fan available for the N60.

Maintaining a wood heater is easier than you think - have a read of our operating manuals for more information. Always remember that the best fuel is adequately seasoned (dry) wood, which will only improve your experience in maintaining your heater.



# Nectre Flue Requirements

The flue system used when installing a Nectre must comply with the current installation standards of AS/NZS 2918. Full instructions on the installation of the flue will be supplied with the flue kit and these must be adhered to. The minimum exit height from the top of the floor protector (hearth) must not be less than 4.6m and the minimum exit height above the roof line of the roof ridge as detailed in the instructions.

## SUITABLE FLUE SHIELD CONFIGURATION



### REAR SHIELD

900mm length, minimum 160° arc, stainless steel rear flue shield, can be painted black.

Models suitable for  
FORM 1 | FORM 2 | N15 | Mk1 | Mk2 | Mk3  
| Mega | N60 | Bakers Ovens



### DECROMESH

Decromesh with 900mm inner reflector fitted with DLR

Models suitable for  
N15 | Mk1 | Mk2 | Mk3 | Mega | N60

Decromesh with no inner reflector fitted with DLR

Models suitable for  
FORM 1 | FORM 2



### SOLID

200mm Solid flue outer with 900mm inner reflector fitted with DLR

Model suitable for  
FORM 2 | N15 | Mk1 | Mk2 | Mk3 | Mega | N60

200mm Solid flue outer with no inner reflector fitted with DLR

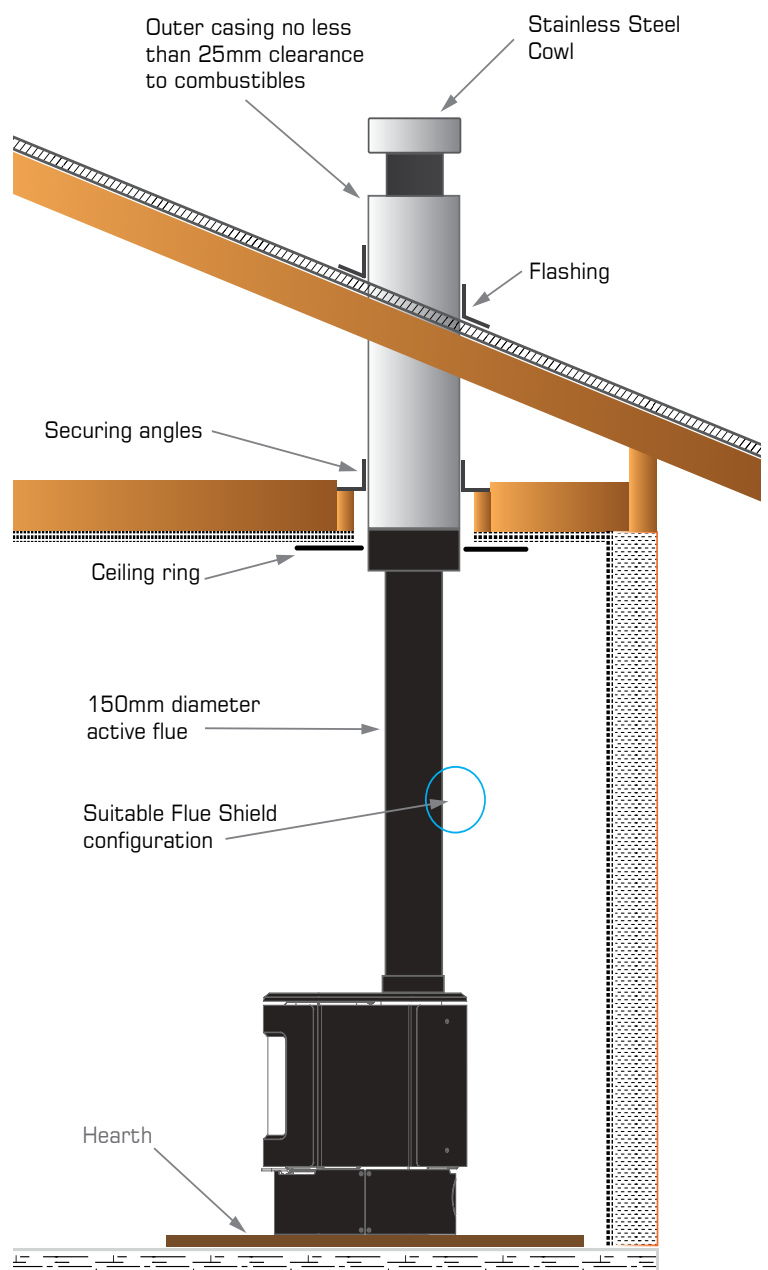
Model suitable for  
FORM 1



Decromesh Locating Ring (DLR) is supplied with all models where required



4.6m Flue from the hearth plus the minimum above the roof line of the roof ridge.



**BurnWise**

For the very best performance out of a Nectre wood heater, we recommend only burning dry seasoned hardwood. Pre-season maintenance check and a possible flue clean will ensure excellent Nectre performance. Avoid using salt borne drift wood, pine and/or chemically treated woods.

**STANDARDS**  
Australia  
AS / NZS 2918

# Nectre Product Reference Guide

		Form 1	Form 2	N15			N60		Mk1		
Type		Radiant	Convection	Radiant			Radiant / Convection		Radiant		
Style		Contemporary	Contemporary	Traditional			Contemporary		Traditional		
Base		Pedestal	Woodstacker	Legs	Woodstacker	Pedestal	Naked	Curved	Legs	Pedestal	
Colour		Black	Black	Black			Black		Black		
Tested with Fan		No	No	No			No		No		
Performance	Output (Kilowatts)	Peak	8.7	15.2	15			13		22	
		Ave.	7	13	13			11		19	
	Emissions	g/kg	0.70	0.60	1.3			0.60		0.95	
		Efficiency (%)	Peak	74	71.5	86			84		81
Coverage	squares	Ave.	70	65	79			73		73	
		m <sup>2</sup>	10	19	13-17			14-18		18-22	
Specification	Heater Size	kg	80	146	90	127	90	190	190	115	120
		(w)	300	520	462	462	462	454	581	725	725
		(d)	550	464.4	553	553	553	508	510	541	541
		(h)	600	1103	728	968	791	1041	1041	729	762
	Log Size (max)	mm	340	330	330			300		500	
	Firebox size	m <sup>3</sup>	0.023	0.036	0.038			0.043		0.062	
	Fabricated	Steel	4, 5 & 6	4, 5 & 6	6			6		6	
Clearance	Hearth (min)	(w)	594	725	900	900	900	720		900	
		(d)	850	764.4	900	900	900	740		900	
		Thickness	5	5	15	15	15	7.5		15	
	900mm Rear Flue Shield	Rear	100	150	175	175	175	75	100	140	
		Side	550	500	750	750	750	450	190	650	
		Corner	300	200	750	750	750	225	125	500	
		Front	300	300	300	300	300	300		400	
	900mm Rear Flue Shield + Side Shields	Rear			125	240	125			140	
		Side			450	550	450			500	
		Corner			225	300	225			300	
		Front			300	300	300			400	
	Decro-mesh	Rear	100	125							
		Side	550	500							
		Corner	300	200							
		Front	300	300							
	Decro-mesh with 900mm Inner Reflector	Rear			175	175	175	125	150	140	
Side				750	750	750	450	150	650		
Corner				750	750	750	225	125	500		
Front				300	300	300	300		400		
Decro-mesh with 900mm Inner Reflector + Side Shields	Rear			175	240	175			140		
	Side			450	550	450			500		
	Corner			225	300	225			275		
	Front			300	300	300			400		
200mm Solid Flue Outer	Rear	100									
	Side	550									
	Corner	300									
	Front	300									
200mm Solid Flue Outer with 900mm Inner Reflector	Rear		125	175	240	175	125	150	140		
	Side		500	750	550	750	450	150	650		
	Corner		200	750	300	750	225	125	500		
	Front		300	300	300	300	300		400		
Options	Fan (manual)	3 Speed									
	Fan (remote)	3 Speed									
	Shields	Side			Yes					Yes	
	Trivet	Cast			Yes						
	Air Connection	Outside	Yes	Yes							

# Nectre Product Reference Guide

			Mk2	Mk3	MEGA	Inbuilt	Bakers Oven					
			Radiant / Convection		Radiant / Convection		Radiant / Convection		Radiant			
			Traditional		Traditional		Traditional		Traditional			
			Legs	Pedestal	Woodstacker		-		Original	BIG		
			Black		Black		Black		Black			
			No	Yes	Yes		Yes		No			
Performance	Output (Kilowatts)	Peak	20		21		20   25		13		15   18	
		Ave.	18		18		16   18		10		11   14	
	Emissions	g/kg	0.80	1.3	1.1		1.4	1.5	0.90		N/A	
		Peak	67	79	66		65	65	70		N/A	
Efficiency (%)	Ave.	61	73	62		62	62	62		N/A		
	squares	18-22		24-28		30-37		13-17		8-13	17-22	
Coverage	m <sup>2</sup>	170-200		240-270		280-340		120-160		75-120	160-200	
	kg	140	160	160		170	180	120		120	220	
Specification	Heater Size	(w)	750		750		760   760		695		550	690
		(d)	560		658.5		663   663		541		652	654
		(h)	681	744	820		834	838	616		866	865
		Log Size (max)	450		450		500		430		300	445
Firebox size	m <sup>3</sup>	0.052		0.070		0.082		0.050		0.039	0.043	
Fabricated	Steel	6		6 & 8		6 & 8		6		6	6 & 8	
Clearance	Hearth (min)	(w)	900		900		900		900		900	900
		(d)	900		900		900		400	300	900	900
		Thickness	15		15		15		40	110	12	15
	900mm Rear Flue Shield	Rear	125		150		200				125	125
		Side	450		400		875				350	325
		Corner	200		150		450				350	275
		Front	400	350	300		300		400	300	300	300
	Decro-mesh with 900mm Inner Reflector	Rear	125		150		200					
		Side	350		400		875					
		Corner	125		150		450					
		Front	400	350	300		300					
	200mm Solid Flue Outer with 900mm Inner Reflector	Rear	125		150		200					
Side		350		400		800						
Corner		100		125		450						
Front		400	350	300		300						
Options	Fan (manual)	3 Speed	Yes				Yes					
	Fan (remote)	3 Speed			Yes				Yes			
	Shields	Side										
	Trivet	Cast										

			N900					N900		
			Open fronted					1285		
			Contemporary					1000   908-1108*		
			Woodstacker	Inbuilt				5-50**		
			Black					100		
			1038					500		
Specification	Heater Size	(d)	625					25		
		(h)	1128	650				300***		
		Log Size (max)	mm	600					-	
	Firebox size	m <sup>3</sup>	0.075					550		
Fabricated	Steel	5					300-500***			
									Fan (remote)	
									3 Speed	
									Yes	

NOTE: Nectre Bakers Oven & Big Bakers Oven emissions and efficiency are shown as n/a, they are classified as a cooking stove and are exempt. All measurements are in millimeters (mm) and are correct at time of print. Glen Dimplex Australia Pty Ltd reserves the right to change or alter product specifications as required.

\*Dependent on how far the base of the firebox is from the floor

\*\*Dependent on material used

\*\*\*May be reduced to 300mm if firebox is raised 450 above the floor, equivalent to woodstacker base cabinet

It is recommended that a qualified person/s carry out the installations in accordance to all specifications contained within this document, and with all relevant building codes. Glen Dimplex Australia Pty Ltd reserves the right to change or alter drawings, specifications or dimensions without prior notice. The information contained within the document was correct at time of printing.



“We make great wood heaters to  
suit contemporary and traditional living”

Authorised Nectre Dealer



Glen Dimplex Australia Pty Ltd  
8 Lakeview Drive,  
Scoresby, VIC 3179  
**T** 1300 554 155  
**E** flame.care@glendimplex.com.au

Nectre is a registered trademark of  
Glen Dimplex Australia Pty Ltd, all rights reserved.

