

**QUADRA-FIRE**<sup>®</sup>

NOTHING BURNS LIKE A QUAD

heatilator  
**ECO**CHOICE<sup>™</sup>



**Australia's most efficient wood heaters**

# Discovery 31LE/M

Feature packed in a convenient design

- FEATURES:
- Automatic Combustion Control (ACC)
  - Patented four point burn technology
  - Cast iron door
  - 8mm active cook top
  - Solid 6-8mm steel construction
  - Most comprehensive warranty on the market
  - Large ash lip



31 Millennium

The 31LE Millennium wood stove celebrates the 25th anniversary of the best-selling 3100 Millennium wood stove. The unique design features an integrated wood storage area, together with all the QuadraFire features and technology... plus the added feature of optional tiled side panels to enhance the overall appearance and complement its surrounds.



AVE BURN TIME  
10hrs



AVE EFFICIENCY  
71%



PEAK EFFICIENCY  
83%



EMISSIONS  
1.4g/kg



HEATING CAPACITY  
up to 27sq



MAX LOG LENGTH  
450mm

# Explorer III

Feature packed in a convenient design

- FEATURES:
- Automatic Combustion Control (ACC)
  - Patented four point burn technology
  - Cast over steel
  - Solid 6-8mm steel construction
  - Most comprehensive warranty on the market
  - Convenient Top Load feature



Top Load (Explorer III)

Achieve maximum heat and a clean burn with the Quadra-Fire Four Point Burn System. Eliminate the hassle, simply load the wood, light the fire and walk away. Featuring quick and easy cleaning with the Ash Removal System (ARS), and the top load feature makes it easier to build and maintain your fire. The Explorer is the most durable in its category - enjoy the looks and performance of cast iron, with a solid steel welded firebox built to last.



AVE BURN TIME  
16hrs



AVE EFFICIENCY  
67%



PEAK EFFICIENCY  
91%



EMISSIONS  
1.2g/kg



HEATING CAPACITY  
up to 35sq



MAX LOG LENGTH  
480mm

# 4300 Millennium

Longer burns with impressive heat output

- FEATURES:
- Automatic Combustion Control (ACC)
  - Patented four point burn technology
  - 8mm active cook top
  - Cast iron door
  - Solid 6-8mm steel construction
  - Most comprehensive warranty on the market
  - Large ash lip

The functional design of the 4300 Millennium wood stove allows it to combine true performance with stylish good looks. The Automatic Combustion Control (ACC), offers truly controllable heat output, cleaner emissions and higher efficiency. This larger unit allows you to load, light and burn longer...



AVE BURN TIME  
12hrs



AVE EFFICIENCY  
78%



PEAK EFFICIENCY  
89%



EMISSIONS  
2.5g/kg



HEATING CAPACITY  
up to 30 sq



MAX LOG LENGTH  
460 mm



# 5700 Step Top

Largest unit in the range plus extra long burn time

- FEATURES:
- Versatile Step Top design
  - Automatic Combustion Control (ACC)
  - Patented four point burn technology
  - 8mm active cook top
  - Cast iron door
  - Solid 6-8mm steel construction
  - Legs or pedestal
  - Ash removal system

The largest freestanding stove in the range, the 5700 Step Top delivers high efficiency and low emissions, PLUS a maximum burn time of 21 hrs. The durable steel construction, convenient ash removal system and patented four-point combustion technology ensures that this unit will deliver exceptional performance for many years to come - backed by the most comprehensive warranty on the market!



AVE BURN TIME  
21hrs



AVE EFFICIENCY  
65%



PEAK EFFICIENCY  
73%



EMISSIONS  
1.5g/kg



HEATING CAPACITY  
up to 37sq



MAX LOG LENGTH  
480 mm



# Voyageur Grand ACC Insert



Standard Trim outer dimensions = 1092x787

The Voyageur Grand wood burning insert features all the proven Quadra-Fire technology to achieve long, clean burns and powerful, efficient heat. Heavy duty cast iron construction and accelerated life cycle testing make the Voyageur Grand an attractive heating option.

A Zero Clearance option is also available for new constructions.

## FEATURES:

- Up to 8-10 hour burn time from a single load of wood
- Cast iron finish
- Thermo Fan standard
- **Zero Clearance option available**

## VOYAGEUR GRAND Specifications

MODEL	WIDTH		HEIGHT		DEPTH	WEIGHT
	Opening	Unit Back	Opening	Into Fireplace	Unit only	
VOYAGEUR GRAND	829	603	597	456		180kgs



AVE BURN TIME  
10hrs



AVE EFFICIENCY  
63%



PEAK EFFICIENCY  
81%



EMISSIONS  
2.0g/kg



HEATING CAPACITY  
up to 27sq



MAX LOG LENGTH  
560mm

## Turn up the heat with Advanced Combustion Technology

### HOT FAST FIRES!

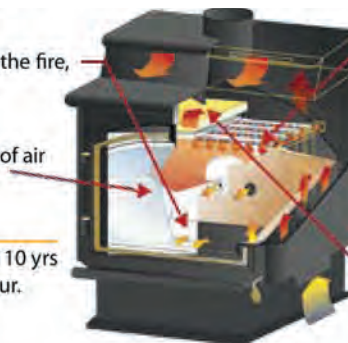
Air feeds directly into the coal bed, the heart of the fire, to provide quick startup and a complete burn.

### BEAUTIFUL FLAME BEHIND YOUR GLASS!

Air is drawn in above the glass, creating a curtain of air that helps keep the large window clean.

### Limited Lifetime Warranty

Quadra-Fire offers a Limited Lifetime Warranty of 10 yrs on our wood heating appliances, 3 years on labour.



### AMAZING CEILING OF FIRE!

Air is superheated and injected under the baffle, igniting the flammable gases rising from the wood, releasing more heat and reducing emissions.

### SUPER CLEAN BURN!

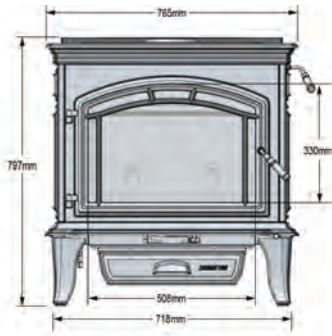
Jets of pre-heated air provide oxygen to the area just above the baffle, igniting almost all remaining impurities from the wood and capturing heat that normally escapes up the chimney.

ULTRA LOW EMISSIONS • DUAL AIR CONTROL for unmatched performance

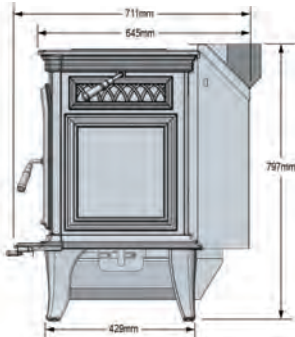
# QUADRA-FIRE Freestanding - Specifications

## Explorer III

Front View



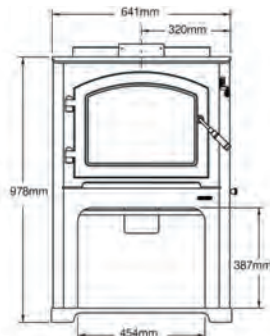
Side View



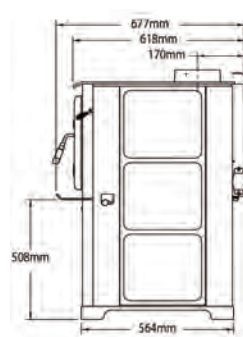
Heating Capacity	up to 35sq
Average Efficiency	67%
Average Emissions	1.2G/KG
Maximum Burn Time	16 hrs

## 31LE ACC

Front View



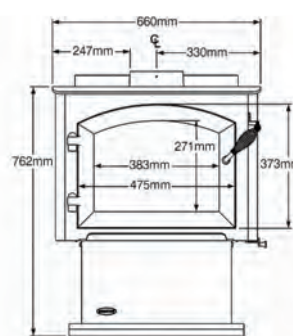
Side View



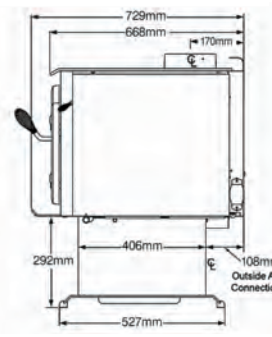
Heating Capacity	up to 27sq
Average Efficiency	71%
Average Emissions	1.4G/KG
Maximum Burn Time	8-10 hrs

## 4300 Millenium ACC

Front View



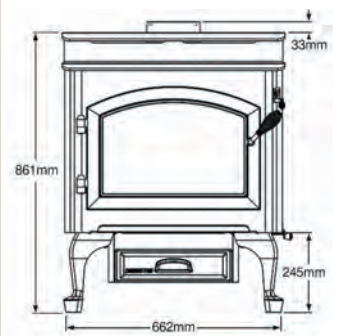
Side View



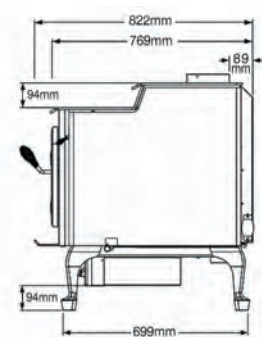
Heating Capacity	up to 30sq
Average Efficiency	78%
Average Emissions	2.5G/KG
Maximum Burn Time	10-12 hrs

## 5700 Step Top ACC

Front View



Side View



Heating Capacity	up to 37sq
Average Efficiency	65%
Average Emissions	1.5G/KG
Maximum Burn Time	15-21 hrs

- PLEASE NOTE:**
- Step-Top models are available with either legs or pedestal
  - Above dimensions are for reference only. We recommend measuring individual units at installation. Refer to installation manual for detailed specifications on installing this product.
  - Quadra-Fire reserves the right to update products and/or specifications periodically.
  - The images and descriptions in this brochure are provided to assist in product selection only.

**QUAD BURN 4X**



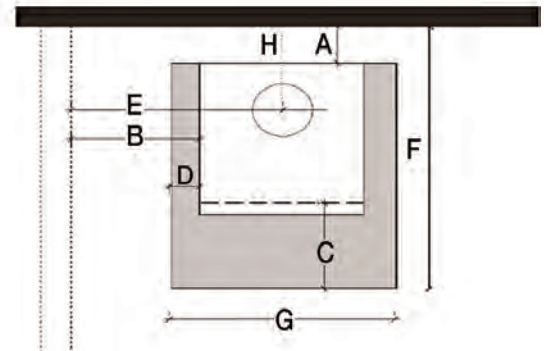
**AUTOMATIC COMBUSTION CONTROL**



## QUADRA-FIRE FREESTANDING UNIT CLEARANCES

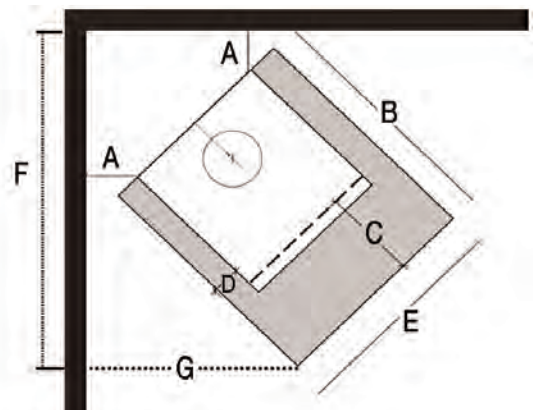
### PARALLEL POSITIONING With Australian default flue kit fitted

	EXPLORER III	EXPLORER III with heat shield	31M/31LE	4300	5700ST
<b>A</b>	250	150	175	200	200
<b>B</b>	400		360	400	330
<b>C</b>	320		300	300	450
<b>D</b>	60		80	69	76
<b>E</b>	783		668	730	673
<b>F</b>	1210	1110	1062	1133	1410
<b>G</b>	885		800	798	850
<b>H</b>	350	250	345	370	365



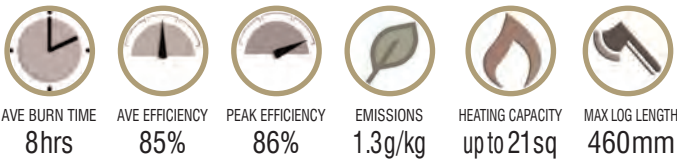
### CORNER POSITIONING With Australian default flue kit fitted

	EXPLORER III	31M/31LE	4300	5700ST
<b>A</b>	175	225	250	100
<b>B</b>	960	887	933	1210
<b>C</b>	320	300	300	450
<b>D</b>	60	80	69	76
<b>E</b>	885	800	798	850
<b>F</b>	1400	1322	1380	
<b>G</b>	765	765	910	

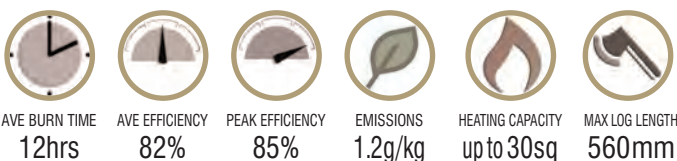


**ULTRA LOW EMISSIONS - AS/NZS Compliant 2019\***

## WS18-AU Wood Stove



## WS22-AU Wood Stove

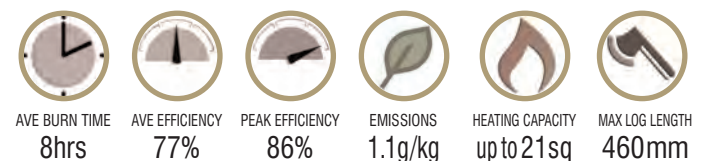


## WINS18-AU Wood Insert



The WINS18 Insert offers all the features that the Heatilator range is known for:

- Ultra Low emissions - Compliant with 2019 standards
- Both Primary and Secondary combustion technology for a cleaner burn and significantly less maintenance
- Wide opening door with single lever operation
- An air wash system to keep the glass clean
- **ZERO CLEARANCE OPTION AVAILABLE**



All Heatilator units are  
AS/NZS COMPLIANT 2019  
**ULTRA LOW EMISSIONS**

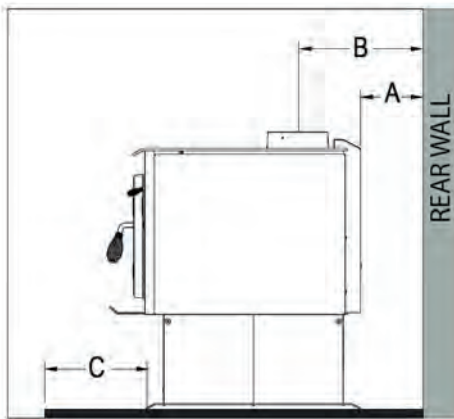
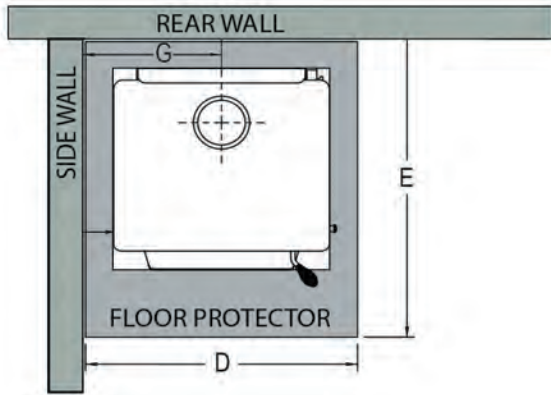
WS18 Specifications	
Width	635mm
Height	736mm
Depth	673mm
Weight	145kgs

WS22 Specifications	
Width	660mm
Height	863mm
Depth	781mm
Weight	185kgs

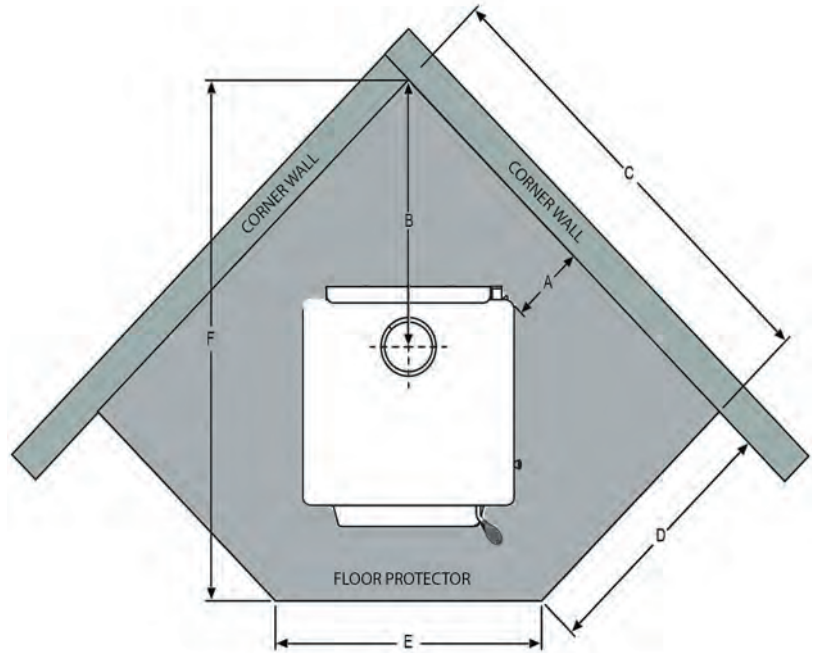
WINS18 Specifications	
Min. Firebox Opening - Front Width	622mm
Min. Firebox Opening - Back Width	622mm
Min. Firebox Opening - Height	546mm
Min. Firebox Opening - Depth	406mm
Weight	153kgs

## CLEARANCES

### PARALLEL POSITIONING



### CORNER POSITIONING (45°)



DESCRIPTION	Default Flue Kit		Default Flue Kit with Flue Shield (WS22 ONLY)
	WS18	WS22	
A Min. clearance from back of unit to rear wall	175	300	100
B Min. clearance from centre of spigot to rear wall	345	468	268
C Min. distance from front of base to floor protector front	300	300	300
D Min. floor protector front width	800	800	800
E Min. distance from rear wall to front of floor protector	1087	1320	1120
F Min. distance from unit side to side wall	300	400	400
G Min. clearance from centre of spigot to side wall	618	730	730

DESCRIPTION	Default Flue Kit	
	WS18	WS22 with Flue Shield
A Min. clearance from firebox corner to walls	155	75
B Min. distance from centre of spigot to corner	707	604
C Min. distance from corner wall to floor protector front	1269	1273
D Min. floor protector projection from corner wall	780	786
E Min. floor protector front width	692	688
F Min. overall floor protector depth	1449	1456

## Australia's most efficient Slow Combustion Fires!

The Quadra-Fire and Heatilator range of wood fires boasts unmatched efficiency and technology for its 8 models, with the Quadra-Fire 5700 Step Top boasting an unheard of maximum 21 hours burn time from a single load of wood. The Heatilator range includes 2 freestanders and an insert - with the WS18 laying claim to **Australia's most efficient wood fireplace**, and the WINS18 claiming the mantle of **Australia's most efficient wood insert!**

Our exclusive Automatic Combustion Control system turns you into a professional fire builder. Whether you are starting a cold stove, or reloading for the long burn, the automatic combustion control provides all the extra air to start the burning process, and then turns the stove down to your desired rate.

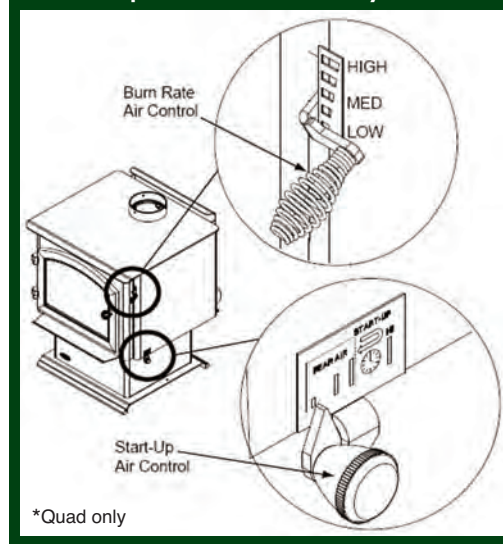
### Patented Combustion System

Quadra-Fire patented four-point combustion system burns the smoke just like fuel in four distinct zones of the combustion chamber. In each of these zones, potential heat that would normally escape up the chimney of a conventional wood stove is, instead, captured to warm your home. This means cleaner air, less chimney maintenance, and fewer trips to the woodpile.

### Tested and Approved

The Quadra-Fire and Heatilator wood burning range has been tested and approved to Australian Emission and Thermal Standard AS/NZ 4012/13, and Clearance Standard AS/NZ 2918.

### AUTOMATIC COMBUSTION CONTROL For a perfect fire every time!\*



## CLEAN, EFFICIENT WOOD FIRES WITH OUTSTANDING FEATURES:

Australia's most efficient fireplace (WS18)

Australia's most efficient and cleanest burning insert fireplace (WINS18)

An air wash system to keep the glass clean

Four Point Combustion Technology for cleaner burns and less maintenance

15 YEAR WARRANTY Most comprehensive on the market

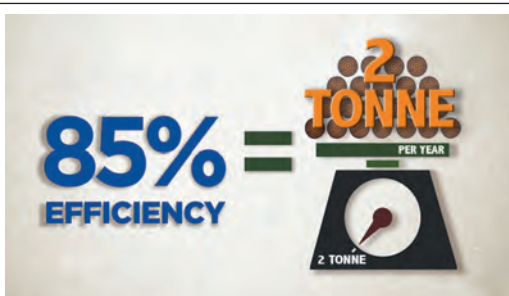
NO CATALYTIC CONVERTER



The Quad 57ST will give you a maximum 21 hr burn time



A 10% saving translates to approximately a tonne of wood



A wood fire achieving 85% efficiency should save you 2 tonne of wood a year

JUNE 2019

**HEAT & GLO**



PLEASE CONTACT US AT:  
444 SWAN ST RICHMOND  
PH: 1300 219 875

EMAIL: info@jetmastervic.com.au

WEB: jetmastervic.com.au

**QUADRA-FIRE**  
NOTHING BURNS LIKE A QUAD



quadrafire.com.au