

hm
HEATMASTER
OPEN WOOD
FIREPLACES



atmosphere | warmth | style

EST 1979



HEATMASTER OPEN WOOD FIREPLACES

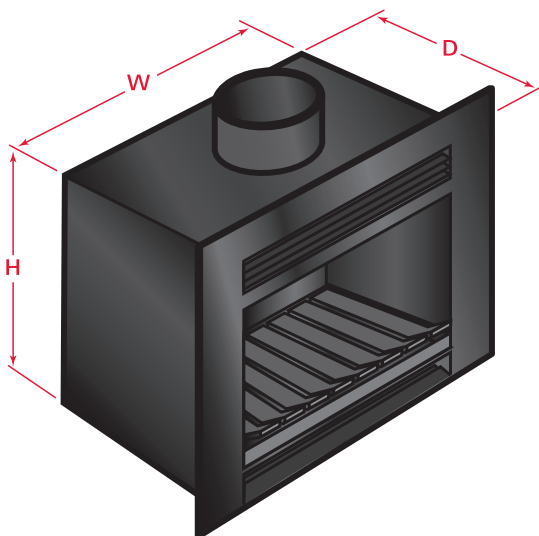
About Us

Heatmaster is a family business which has been manufacturing, supplying and distributing fireplaces for over 35 years. With the original Heatmaster open wood fireplaces designed to simplify installation and improve the efficiency of a traditional brick chimney, we have evolved to include the award winning A series fully insulated fireboxes for even greater efficiency and more simplified installation into timber.

Working closely with many of Australia's leading architects, designers and builders Heatmaster pride ourselves on the service and experience that we can offer to ensure that you get the perfect fireplace to suit your needs. With both our head office and factory based in Melbourne, Heatmaster can work with you to create one off fascias, wood storage boxes etc. Heatmaster proudly distribute our products throughout Australia and New Zealand.



One off fascias and wood storage boxes can be custom made.



Brick Installation Only

B Series - Uninsulated firebox dimensions

Overall sizes for uninsulated units

| Model | Height | Width | Depth | Height w/ flange | Width w/ flange |
|-------------|--------|-------|-------|------------------|-----------------|
| B650 | 595mm | 680mm | 380mm | 647mm | 806mm |
| B750 | 635mm | 785mm | 435mm | 685mm | 905mm |
| B900 | 695mm | 935mm | 480mm | 730mm | 1055mm |

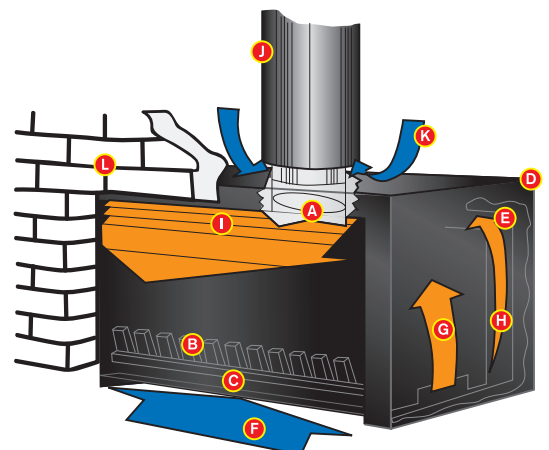
Allow up to 50mm for flue spigot height in addition to firebox height.

For full B Series installation instructions, please contact your Heatmaster dealer.

For additional installation information refer to AS/NZS 2918:2018.

Components Diagram

- A** Damper with detachable handle
- B** Unique suspended firegrate
- C** Easy clean slide-in/slide-out ashtray
- D** Steel outer body
- E** Insulation
- F** Cool air into heat exchanger
- G** Air circulation paths via the side chamber
- H** Air circulation paths via the back chamber
- I** Heated air comes into room via outlet louvers
- J** Stainless Steel inner, PGI outer, flue is in easy to assemble sections
- K** Air Flow between inner & outer skins of flue
- L** Fireplace surround (enclosure) is built in your chosen material, hides all of Heatmaster unit, so all you see is the fire and the outlet louvers



A Series Open Wood Fireplaces



**Easy to
Install**



**Atmosphere
& Warmth**



**Feature
Piece**

The only open fire to be awarded the prestigious Australian Design Award, the Heatmaster open wood fire provides the ambience and the warmth of a wood fire with all of the quality and features of Heatmaster.

The design of your Heatmaster wood fire is limited only by your imagination. An extensive range of decorative fascias and finishes are available for the most contemporary to the traditional period style.

With the flexibility of our "A Series" fully insulated fireboxes which can be built into timber and plaster / gyprock frame without brickwork to our "B Series" uninsulated fireboxes which are designed to be installed into your existing chimney.

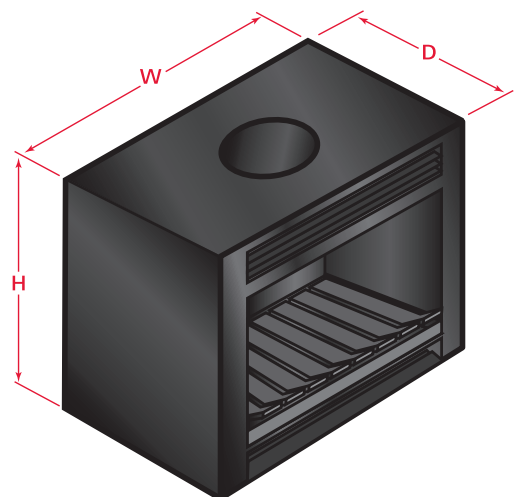
Some Key Features Of The Heatmaster Open Wood Fireplace:

- Winner of the Australian Design Award
- Thick 6mm lining of firebox
- 5 Sided heat exchange system for up to 8 times more efficiency
- Removable ashtray for easy cleaning
- Insulated models available for zero clearance installation (no brickwork required*)



Timber Installation

A Series - Fully insulated firebox dimensions



Overall sizes for insulated units

| Model | Height | Width | Depth |
|-------------|--------|--------|-------|
| A650 | 680mm | 838mm | 470mm |
| A750 | 680mm | 910mm | 495mm |
| A900 | 740mm | 1060mm | 565mm |

For full A Series installation instructions, please contact your Heatmaster dealer.

Visit heatmaster.com.au for the latest information, images and FAQ

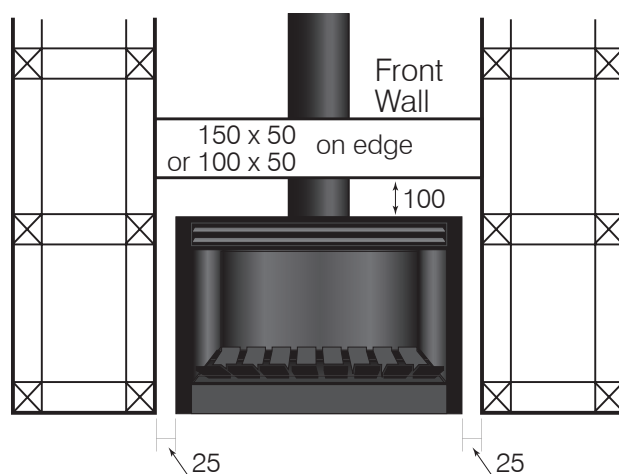


Minimum Framing Dimensions on Non-combustible floor

| Model No | A650 | A750 | A900 |
|-----------------------------------|-------|-------|--------|
| Height from non combustible floor | 780mm | 780mm | 840mm |
| Width | 890mm | 960mm | 1110mm |
| Depth "C" | 505mm | 530mm | 600mm |

PLEASE NOTE: Installation should be made in conjunction with the "A" series installation guide and must comply with all framing, fluing, hearth details and clearances.

ELEVATION VIEW

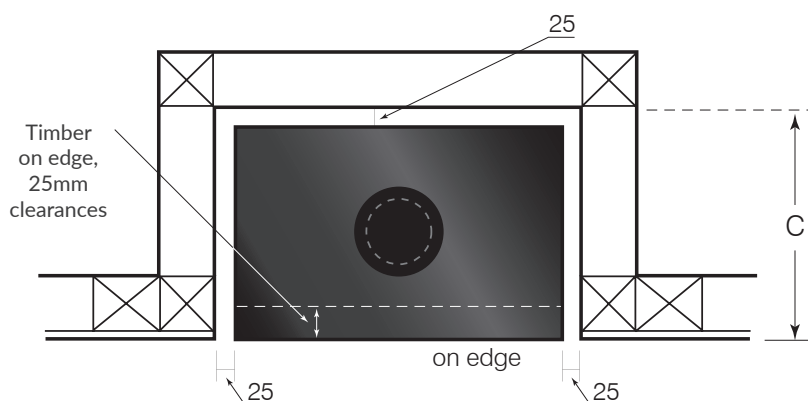


Minimum Framing Dimensions using standard hearth on combustible floor

| Model No | A650 | A750 | A900 |
|-------------------------------|-------|-------|--------|
| Height from combustible floor | 818mm | 818mm | 878mm |
| Width | 890mm | 960mm | 1110mm |
| Depth "C" | 505mm | 530mm | 600mm |

PLEASE NOTE: Installation should be made in conjunction with the "A" series installation guide and must comply with all framing, fluing, hearth details and clearances.

PLAN VIEW

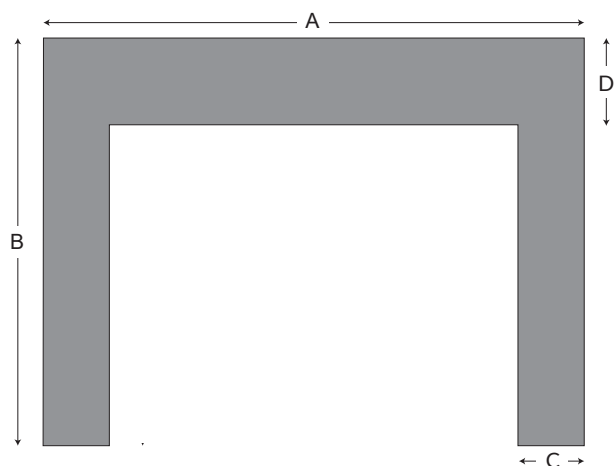
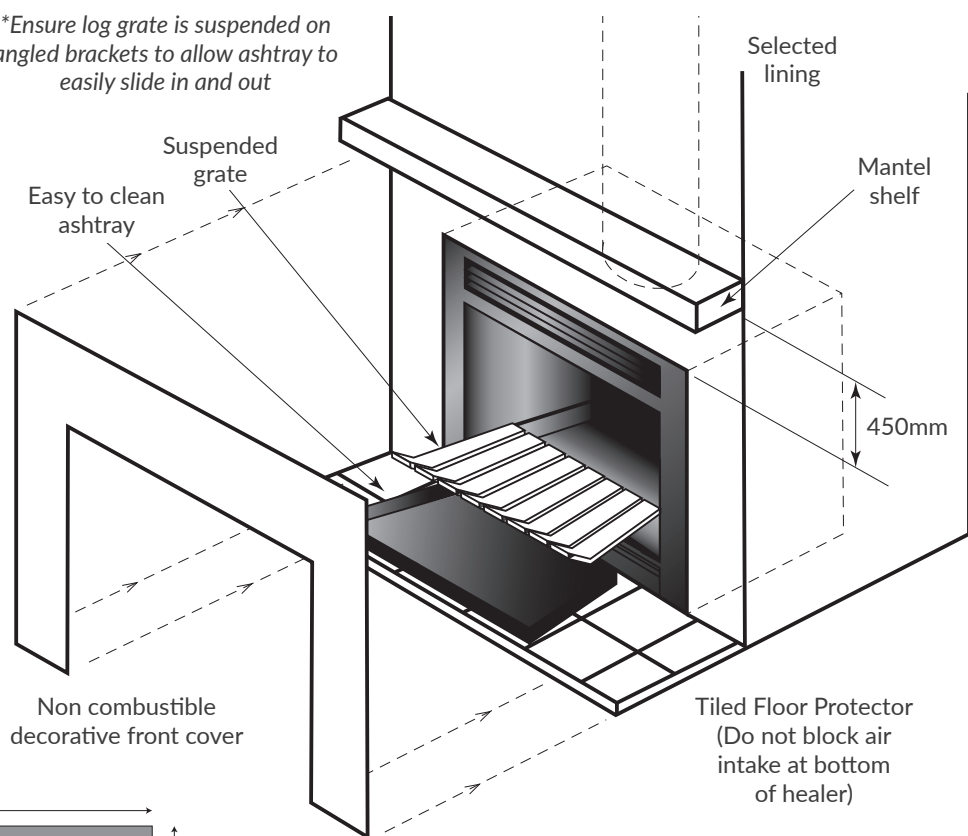




Finishing your Heatmaster installation

PLEASE NOTE: Installation should be made in conjunction with the "A" series installation guide and must comply with all framing, fluing, hearth details and clearances.

*Ensure log grate is suspended on angled brackets to allow ashtray to easily slide in and out



Fascia Dimensions

| Model | A | B | C | D |
|-------|--------|-------|-------|-------|
| 650 | 980mm | 800mm | 150mm | 200mm |
| 750 | 1100mm | 825mm | 165mm | 190mm |
| 900 | 1200mm | 900mm | 140mm | 200mm |

*4-sided fascia available.
Please visit the website for dimensions.



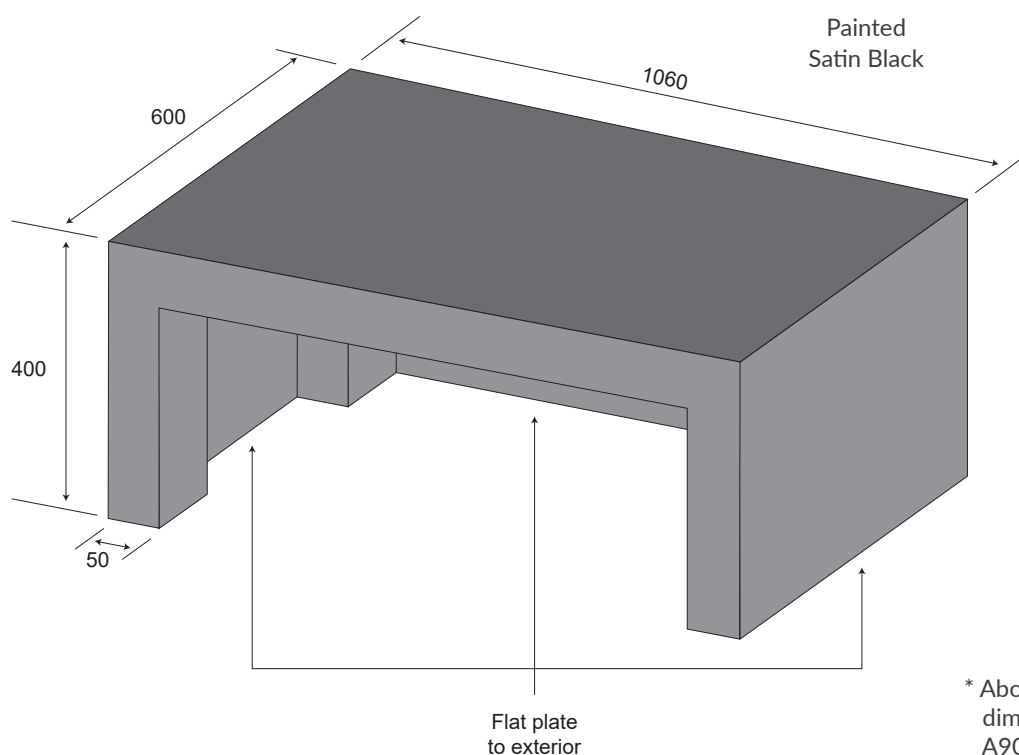
Heatmaster open wood fireplace stand to suit the insulated firebox "A" Series units

Heatmaster open wood fireplace stand suits the A650, A750 and A900 firebox. When installing your Heatmaster open wood fireplace stand be sure to read the following dimensions carefully and in conjunction with the "A" series installation guide. Be sure to comply with all framing, fluing and hearth clearances.

| Model | Stand Height | Stand Width | Stand Depth |
|-------|--------------|-------------|-------------|
| A650 | 400mm | 838mm | 505mm |
| A750 | 400mm | 910mm | 530mm |
| A900 | 400mm | 1060mm | 600mm |

PLEASE NOTE: Installation should be made in conjunction with the "A" series installation guide and must comply with all framing, fluing, hearth details and clearances.

* For firebox dimensions see page one.



* Above illustration dimensions to suit A900 firebox.



Heatmaster A Series Open Fire with Firebox situated in Modscape home. Photography by John Madden.

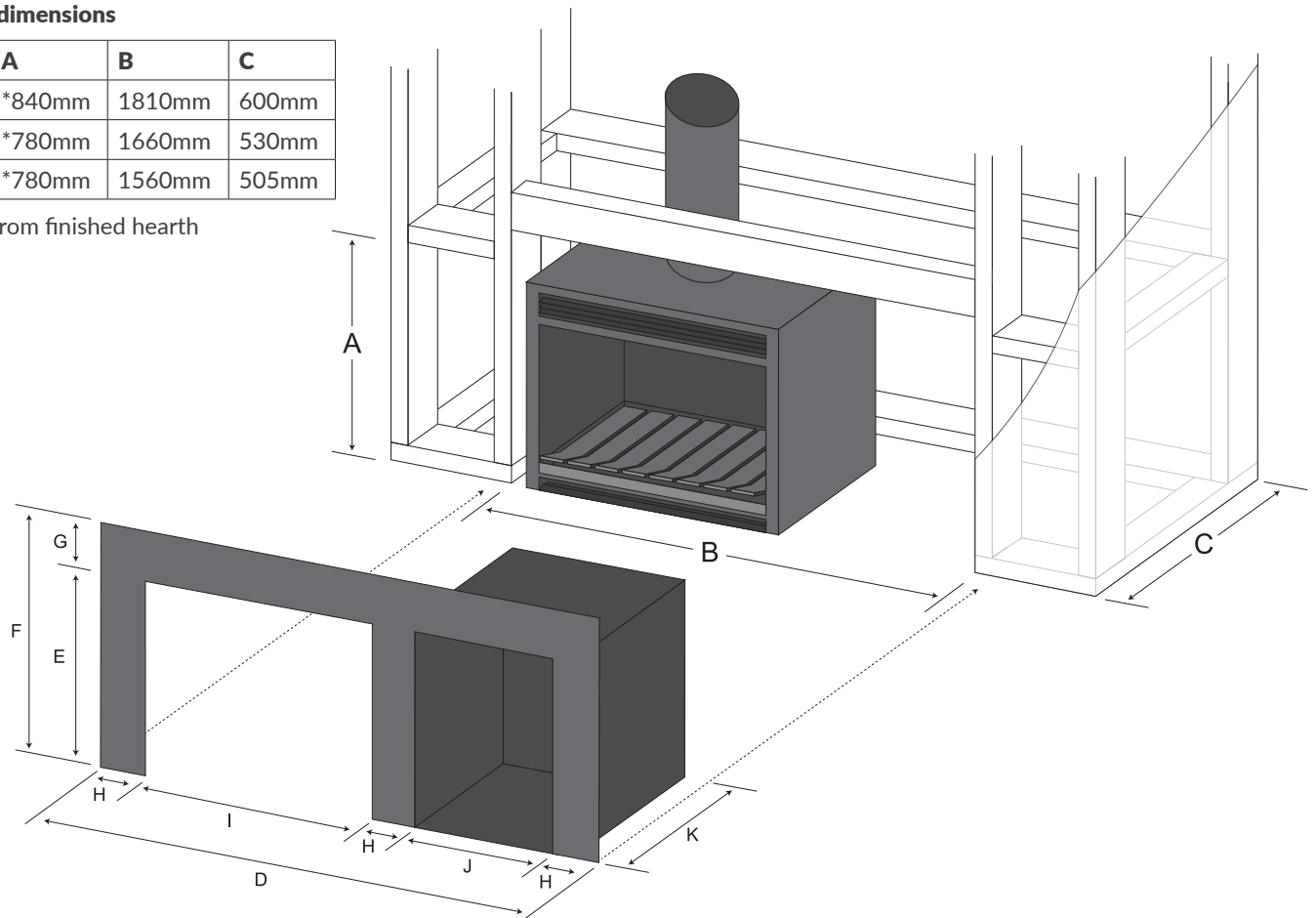
Heatmaster fascia wood box to suit the insulated firebox "A" Series units

The Heatmaster fascia wood box is available to suit the A650, A750 and A900 open firebox. When installing your fascia wood box please be sure to read the following dimensions carefully and in conjunction with the "A" series installation guide*. Be sure to comply with all framing, fluing and hearth clearances.

Framing dimensions

| | A | B | C |
|-------------|--------|--------|-------|
| A900 | *840mm | 1810mm | 600mm |
| A750 | *780mm | 1660mm | 530mm |
| A650 | *780mm | 1560mm | 505mm |

*Height from finished hearth



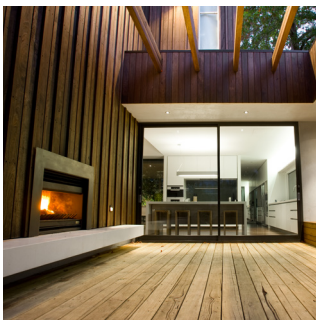
Heatmaster Fascia wood box dimensions

| | D | E | F | G | H | I | J | K |
|-------------|--------|-------|-------|-------|-------|-------|-------|-------|
| A900 | 1860mm | 710mm | 870mm | 160mm | 140mm | 940mm | 500mm | 565mm |
| A750 | 1710mm | 645mm | 805mm | 160mm | 140mm | 790mm | 500mm | 495mm |
| A650 | 1610mm | 615mm | 795mm | 180mm | 140mm | 690mm | 500mm | 470mm |

PLEASE NOTE: Installation should be made in conjunction with the "A" series installation guide and must comply with all framing, fluing, hearth details and clearances.

hm
HEATMASTER
OPEN WOOD
FIREPLACES

 [instagram.com/heatmaster_au](https://www.instagram.com/heatmaster_au)



**Heatmaster Head
Office & Showroom:**

2/9 Nicole Close,
Bayswater North, VIC 3153

(03) 9761 7130

[heatmaster.com.au](https://www.heatmaster.com.au)
info@heatmaster.com.au

EST 1979