

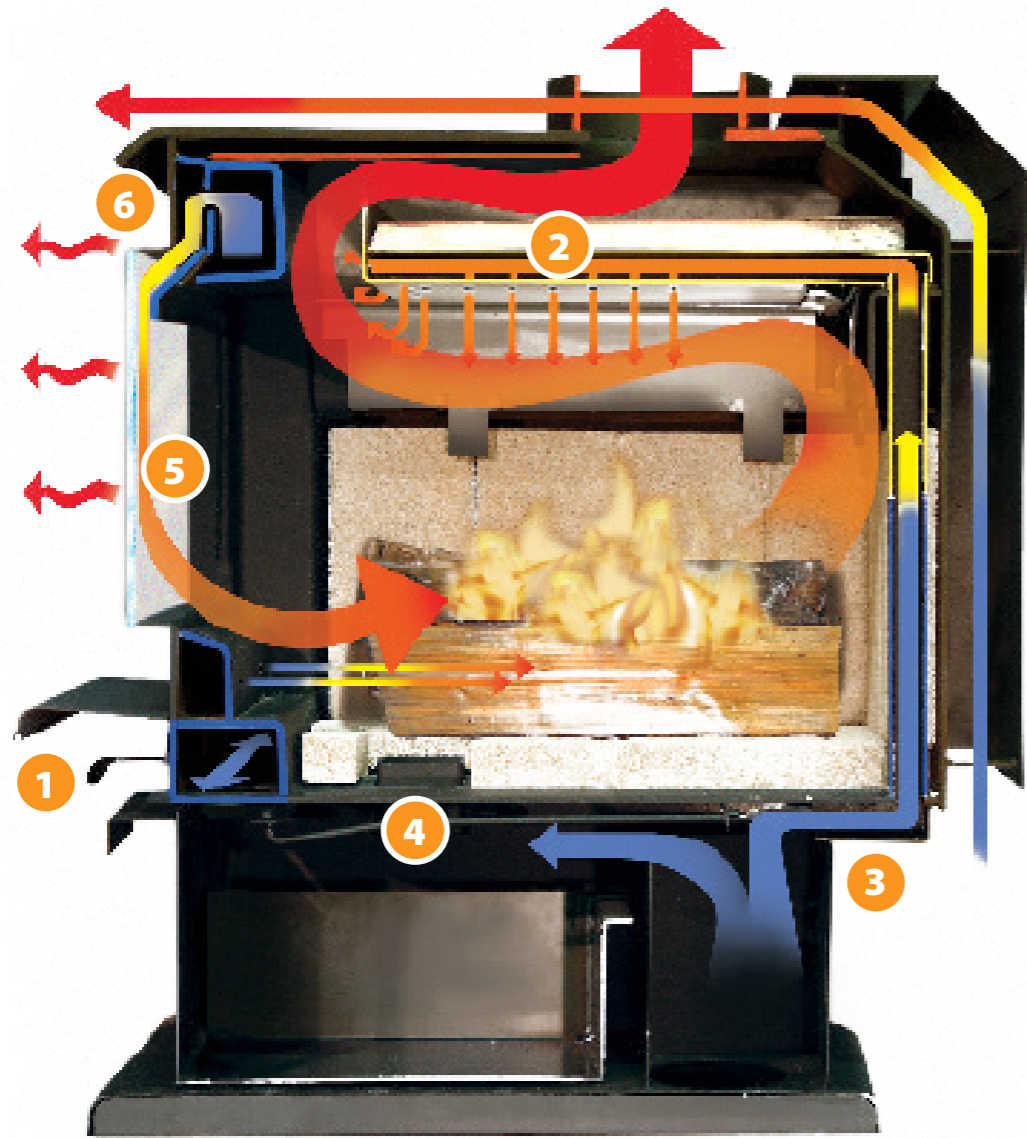


MADE IN CANADA, FOR CANADIAN WINTERS



WOOD CATALOGUE
AUSTRALIA

INDUSTRY LEADING TECHNOLOGIES



1 SINGLE LEVER AIR CONTROL

It's never been simpler to achieve a clean, efficient flame. With the largest single, easy-to-operate air control lever, air adjustment and total control of your fire is so easy with Pacific Energy systems.

3 EBT EXTENDED BURN TECHNOLOGY

Automatic draught control is now here, with the Extended Burn Time, or EBT2. With two-storey homes and cathedral ceilings, the high flue can pull too much, stifling your fire. The EBT2 solves this common problem by allowing your Pacific Energy heater to automatically regulate the draught, giving you the perfect fire no matter the flue height.

2 BAFFLE SYSTEM

Made from stunning 304 grade stainless steel, the Pacific Energy baffle is at the front of the pack when it comes to clean burning. By re-igniting the smoke particles present in the firebox, the baffle reduces emissions and giving you that epic trademark Pacific Energy afterburn. More flame means more heat, and less smoke means cleaner burning.

Every element of the Pacific Energy baffle has been meticulously thought out to optimize performance and quality. From the quality of the seam-welded steel, to the precisely formed hollow chambers, which allow secondary air to continuously pass through. Pacific Energy's is the only baffle that is guaranteed for 10 years*

4 SELF SEALING ASH DUMP

Our self-sealing ash dump, with its spring-loaded door provides a time saving, hassle-free ash removal solution that, frankly, has yet to be equaled. Serious wood burners utilise ash removal systems.

Many stoves simply have a removable cover over their ash removal opening inside the firebox. Pacific Energy's machined steel, spring loaded ash removal system is opened from outside the heater and closes automatically for safety and convenience when you're done.

6 KNIFE EDGE DOOR

A formed and welded knife edge opening creates a superior air tight seal to the door while strengthening the heater face. This is a more labor intensive design but our experience has proven this is the best way to manufacture a fireplace.

5 AIR WASH

Soot-covered fireplace glass? Not likely with Pacific Energy heaters. Over 30 years ago, we pioneered the use of glass doors on free standing wood heaters. We followed that with the first effective airwash manifold system, a design that flows preheated air to the glass surface to keep it clean.

Over the years we have continued to refine our airwash design: it now creates a high-pressure zone in the center and forces air to flow from above and across the glass. Even at low air settings, we are confident that our airwash system is the most effective available. And that our glass doors are among the cleanest in the industry.

CAST IRON OVER STEEL

Until we pioneered the Alderlea line, and its revolutionary iron-wrapped steel firebox, a cast iron firebox was just that: cast iron. The Alderlea design makes the most of each metal: the floating steel firebox is free to expand and contract, and its design maximizes convective heat efficiency, while the cast iron wrapping provides radiant heat. This superior system greatly extends longevity over an all cast firebox. Metal fatigue is no longer a factor, allowing us to offer the industry's first lifetime warranty on a cast wood heater.

This technical innovation lives "under the skin" of the Alderlea line, which maintains the beloved traditional wood heater appearance. We say it's "powered by design, and crafted by tradition".

OUTSIDE AIR

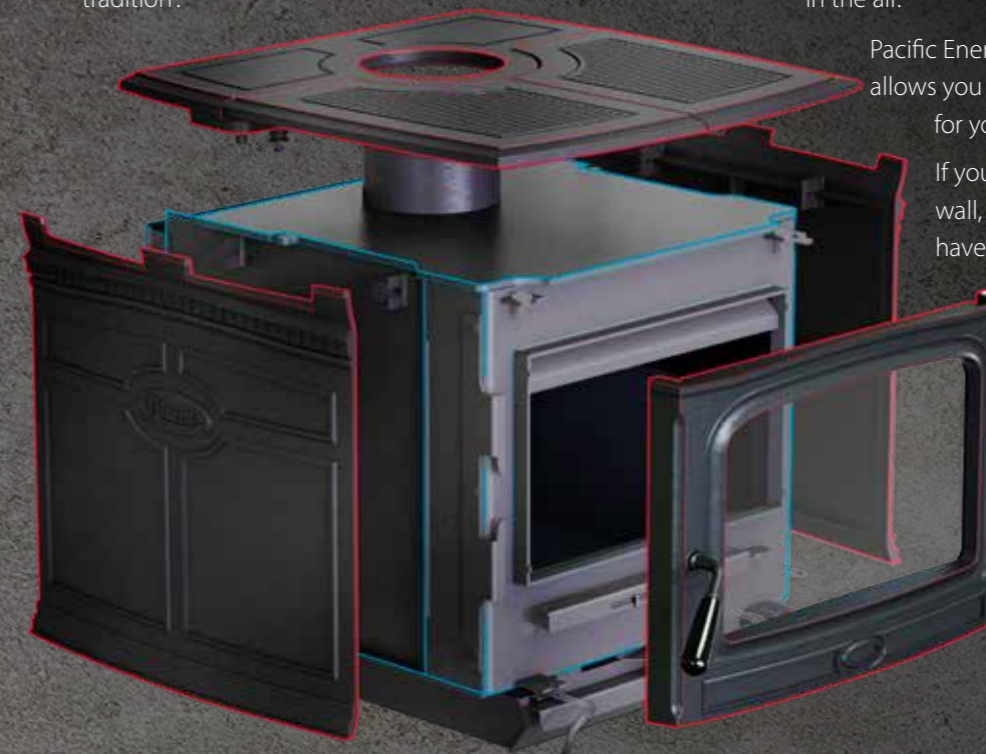
High efficient homes with double glazed windows and 5+ stars are extremely air tight, so much so that when even an exhaust fan is turned on your home can become negative pressured.

Negative house pressure is a common problem that can cause fireplaces and wood-burning appliances to smoke. This is probably the least understood house issue, but one that usually can be easily corrected.

Pacific Energy has an optional fresh air intake kit making it easy to run a duct outside for fresh air into your wood heater. Adding a fresh air intake is highly recommended for any new home or for homes with people who might be sensitive to particles in the air.

Pacific Energy wood heaters have a designated inlet that allows you to run a duct to outside to bring fresh air in for your fire.

If you have your heater installed on an external wall, the duct can go straight out the back. If you have your heater installed on an internal wall, you can run the duct inside the wall cavity, through the roof to outside.





Pacific Energy extends the following warranty coverage to the original registered purchaser of the product:

10 Year Coverage

10 year coverage is extended to the following components (parts only) porcelain finish, glass (glass for thermal breakage only, not impact), plating, firebox and baffle.

3 Year Comprehensive

Pacific Energy will replace or repair any part found to be defective (parts and labor) for three years from the date of purchase.

This coverage includes electrical components (fans, speed controls and thermal switches).

Please see manual for full terms and conditions



PACIFIC ENERGY
CANADA'S FINEST STOVES

STEEL RANGE

PAGE 7



SUPER | 250-280 m²



SUMMIT | 280-300 m²

ALDERLEA

PAGE 9



ALDERLEA T5 | 250-280 m²



ALDERLEA T6 | 280-300 m²

NEO SERIES

PAGE 11



NEO 1.6 | 200-230 m²



NEO 2.5 | 280-300 m²

ALBERNI

PAGE 11



ALBERNI 2.5 | 280-300 m²

INBUILT COLLECTION

PAGE 12



ALDERLEA T5 INBUILT | 250-280 m²



NEO 1.6 | 200-230 m²



NEO 2.5 | 280-300 m²

PAGE 13



STEEL RANGE WOOD

SUPER - SUMMIT

FEATURES

- Multi-port Combustion Air; creates unique enhanced flame
- Extended Burn Time standard
- Airwash Technology; for clear, clean glass
- Single-Lever Air Control; one touch control
- Fully firebrick lined; enhanced thermal mass
- Heavy plate steel top; cooking capable
- Available on Legs or Pedestal

OPTIONS

- Fan with automatic control
- Outside Air Adaptor
- Self Sealing Ash Dump
- Upgrade to Nickel door or leg



Pedestal with Black Door



SUPER

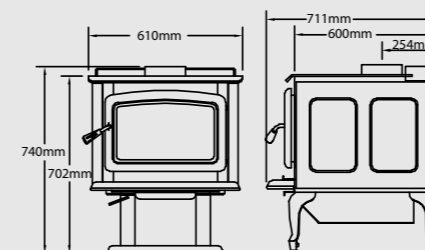
Legs or Pedestal

Heat Output	250–280 m²
Avg Efficiency ★★★★★	67%
Max Efficiency ★★★★★	74%
Emissions ★★★★★	1.1 gm/kg
Burn Time	8–12 hours
Log Size (max)	45 cm
Weight	161 kg

Our most popular woodburning heater based on our renowned firebox, the Super delivers superb heating performance. With clean air wash technology, our high capacity baffle system and legendary reliability, the Super is built for a lifetime of heat.

SUPER FEATURES

- Floating firebox; for extended life
- 304 Stainless Steel baffle; 10 year warranty
- North-South loading



SUMMIT

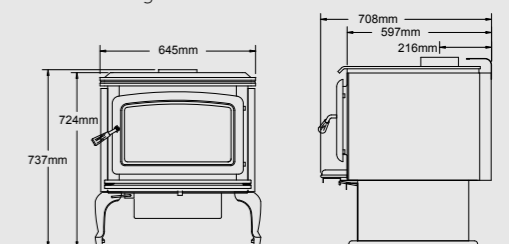
Legs or Pedestal

Heat Output	280–300 m²
Avg Efficiency ★★★★★	64%
Max Efficiency ★★★★★	69%
Emissions ★★★★★	1.1 gm/kg
Burn Time	10–14 hours
Log Size (max)	45–50 cm
Weight	197 kg

When you need the heating power to keep a large home warm and comfortable through long winter nights, choose Summit. Crafted for maximum heating capacity with Extended Burn Technology (EBT) for the longest burn time, the Summit is the wood heater of choice for bigger spaces and colder nights. Choose pedestal or a variety of leg and door finishes.

SUMMIT FEATURES

- Floating firebox; for extended life
- 304 Stainless Steel baffle; 10 year warranty
- Extended Burn Technology (EBT2); more efficient burning
- North-South loading



Pacific Energy Steel Range Wood Heaters are customizable in your choice of door and leg finishes. Available in Nickel and Metallic Black

DOORS



LEGS





Metallic Black

Antique White



ALDERLEA WOOD

T5 - T6

FEATURES

- Multi-port Combustion Air; unique enhanced flame
- Extended Burn Time standard
- Airwash Technology; for clear, clean glass
- Single-Lever Air Control; one touch control
- Floating firebox; for extended life
- Fully firebrick lined; enhanced thermal mass
- Swing out trivets; for slow cooking
- Concealed cooktop
- Ash system; for easy cleaning
- 304 Stainless Steel baffle; 10 year warranty

OPTIONS

- Fan with automatic control
- T5 Only: Upgrade to Porcelain Enamel Antique White



ALDERLEA T5

Metallic Black or Antique White

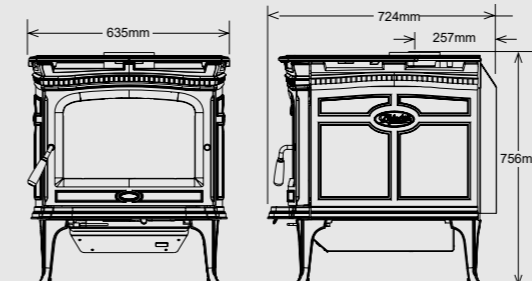
Heat Output	250–280 m²
Avg Efficiency ★★★★★	67%
Max Efficiency ★★★★★	74%
Emissions ★★★★★	1.1 gm/kg
Burn Time	8–12 hours
Log Size (max)	45 cm
Weight	222 kg

With elegant, historic styling that adds to the decor of any room, the T5 combines the best of cast iron and steel stoves: offering radiant and convective heat, with a concealed cooktop and a huge glass window. It's an easy-to-light, easy-to use, long-burning wood heater with old world charm and unmatched durability.

ALDERLEA T5 FEATURES

- Concealed cooktop; fits 23 x 28 cm pan
- North-South loading

Upgrade to Porcelain Enamel Antique White



ALDERLEA T6

Metallic Black

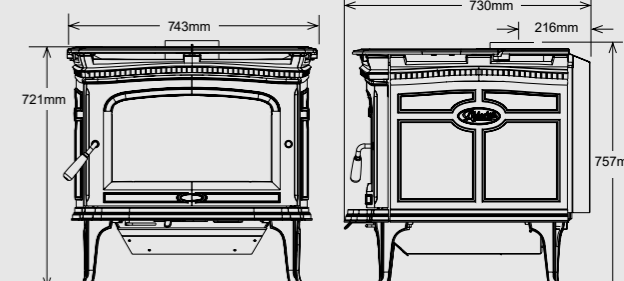
Heat Output	280–300 m²
Avg Efficiency ★★★★★	64%
Max Efficiency ★★★★★	69%
Emissions ★★★★★	1.1 gm/kg
Burn Time	10–14 hours
Log Size (max)	45–50 cm
Weight	254 kg

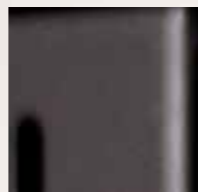
The largest Alderlea wood heater, the T6 is the solution for keeping large spaces warm and comfortable, even through long winter nights. It's crafted for maximum heating capacity, with Extended Burn Technology (EBT) for all-night burn times, and features a family-sized cooktop and a huge glass window.

ALDERLEA T6 FEATURES

- Concealed cooktop; fits 30 x 38 cm pan
- Extended Burn Technology (EBT)

Metallic Black only





Metallic Black



Sunset Red



Ivory



Titanium

*Colour Panels subject to availability



NEO WOOD

1.6 - 2.5 - ALBERNI

FEATURES

- Multi-port Combustion Air; creates unique enhanced flame
- Extended Burn Time standard
- Airwash Technology; for clear, clean glass
- Single-Lever Air Control; one touch control
- Ash system; for easy cleaning
- Floating firebox; for extended life
- Heavy plate steel top; Removable Cast Iron Trivet for cooking
- 304 Stainless Steel baffle; 10 year warranty
- Extended Burn Technology (EBT)
- Leveling Legs

OPTIONS

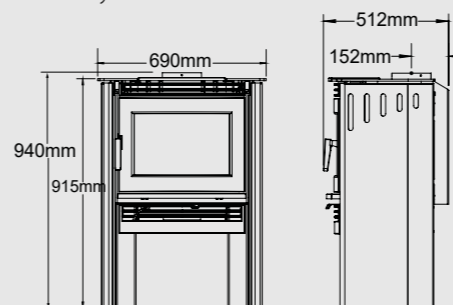
- Fan with automatic control
- Colour Panel Options (1.6 and 2.5 only)



NEO 1.6

Heat Output	200-230 m ²
Avg Efficiency	★★★★★ 75%
Max Efficiency	★★★★★ 80%
Emissions	★★★★★ 0.7 gm/kg
Burn Time	7-12 hours
Log Size (max)	40-45 cm
Weight	154 kg

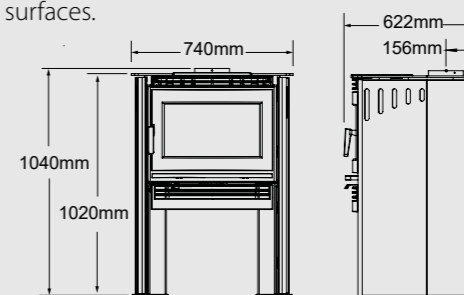
The Neo 1.6 freestanding makes a bold statement with its tall profile for easy loading, line-of-sight view of the flame, and modern design. Like its larger cousin the Neo 2.5, the Neo 1.6 is a true heating machine with Pacific Energy's solid steel construction, floating firebox with stainless steel baffle and high-efficiency finned heat exchanger. Choose the color that is right for your home with side panels available in a variety of colors.



NEO 2.5

Heat Output	280-300 m ²
Avg Efficiency	★★★★★ 82%
Max Efficiency	★★★★★ 89%
Emissions	★★★★★ 1.0 gm/kg
Burn Time	7-12 hours
Log Size (max)	45 cm
Weight	208 kg

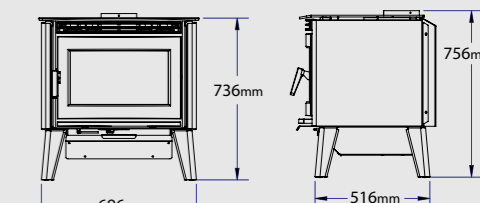
Neo 2.5 offers elegant, modern lines and a large firebox for high heat output. With no-stoop loading, large glass door, and simple air control, the Neo 2.5 is a practical wood heater with Pacific Energy's clean-burning technology that reduces emissions while maximizing burn time and efficiency. It includes all the features and convenience of the Neo 1.6, including optional side panels in a variety of dramatic colors, and the ability to use the top as a cook stove. Installation is simplified with leveling legs for uneven surfaces.



ALBERNI

Heat Output	280-300 m ²
Avg Efficiency	★★★★★ 82%
Max Efficiency	★★★★★ 89%
Emissions	★★★★★ 1.0 gm/kg
Burn Time	7-12 hours
Log Size (max)	45 cm
Weight	154 kg

The Pacific Energy Alberni is designed for excellent performance on legs, with the class of a charcoal finish door and top plus vitreous enameled black sides gives the Alberni a distinctive quality finish. Includes EBT2 technology regulating performance, Pacific Energy's enhanced baffle giving a secondary ignition to your fire, and an air slide with over 150mm in adjustment. The Alberni is there at your demand to provide amazing clean burn, with the ability to close it right down so in the morning you have your heater still burning and heating your home.



ALDERLEA INBUILT WOOD



FEATURES

- Multi-port Combustion Air; creates unique enhanced flame
- Extended Burn Time standard
- Airwash Technology; for clear, clean glass
- Single-Lever Air Control; one touch control
- Floating firebox; for extended life
- 304 Stainless Steel baffle; 10 year warranty
- 2 x Fans with automatic control
- Single-Lever Air Control
- North-South loading

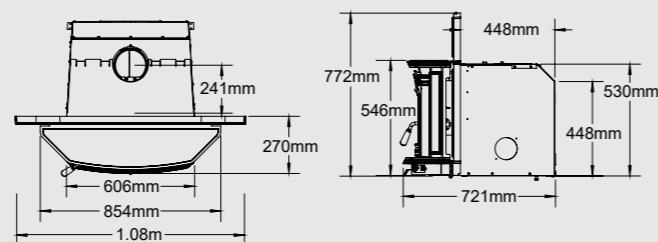
OPTIONS

- Upgrade to Antique White Porcelain Enamel

ALDERLEA T5 INBUILT

Heat Output	250–280 m²
Avg Efficiency ★★★★★	60%
Max Efficiency ★★★★★	63%
Emissions ★★★★★	0.6 gm/kg
Burn Time	8–12 hours
Log Size (max)	45 cm
Weight	222 kg

The Alderlea cast iron over steel inbuilt allows you to transform your fireplace into an efficient heating system with traditional cast iron styling. Like all Pacific Energy inbuilts, it's easy to light, easy to use, and provides a clear view of the flame. With a 2 speed fan, clean-glass airwash technology and heavy-gauge overbuilt construction, the T5 inbuilt will provide many years of comfort and enjoyment.



Metallic Black

Antique White

NEO INBUILT WOOD



FEATURES

- Multi-port Combustion Air; creates unique enhanced flame
- Airwash Technology; for clear, clean glass
- Single-Lever Air Control; one touch control
- Floating firebox; for extended life
- 304 Stainless Steel baffle; 10 year warranty
- Extended Burn Technology (EBT)
- 2 x Fans with automatic control
- East West Loading

OPTIONS

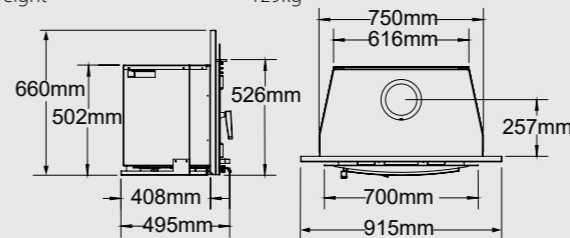
- Stainless Steel Trim
- Zero Clearance Kit



Stainless Steel Fascia

NEO INBUILT 1.6 ZERO CLEARANCE AVAILABLE

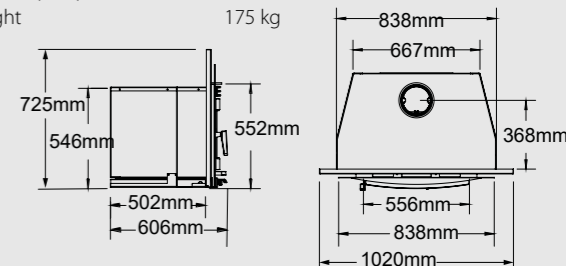
Heat Output	200–230 m²
Avg Efficiency ★★★★★	67%
Max Efficiency ★★★★★	73%
Emissions ★★★★★	1.1 gm/kg
Burn Time	8–12 hours
Log Size (max)	40–45 cm
Weight	129kg



Make your smaller existing masonry fireplace a significant source of wood heat with the contemporary style of the Neo 1.6 wood burning inbuilt. Constructed with heavy-gauge steel, this inbuilt features Pacific Energy's industry-leading secondary combustion system, unique high capacity stainless steel baffle and advanced heat exchanger technology for exceptional clean-burning, efficient performance.

NEO INBUILT 2.5 ZERO CLEARANCE AVAILABLE

Heat Output	280–300 m²
Avg Efficiency ★★★★★	72%
Max Efficiency ★★★★★	75%
Emissions ★★★★★	1.0 gm/kg
Burn Time	10–14 hours
Log Size (max)	45 cm
Weight	175 kg

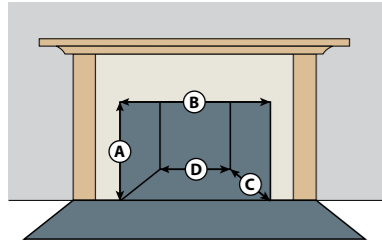


Transform an energy-wasting fireplace into a cost-saving source of heat without sacrificing the comfort and appeal of a wood fire. The Neo 2.5 inbuilt accommodates larger existing masonry fireplace and features Pacific Energy's trusted industry leading construction, boost air for easy lighting and one-lever air control for simple operation and burning efficiency. With all the features of the Neo 1.6 in a larger, higher-output format, the Neo 2.5 inbuilt delivers exceptional performance and durability.

INBUILT WOOD



WOOD INBUILT APPLIANCE MINIMUM FIREPLACE OPENING

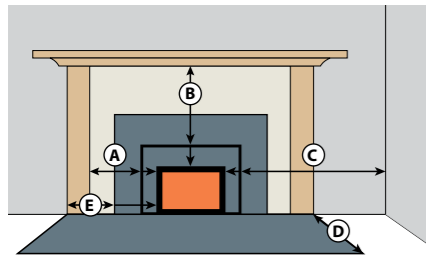


	A	B	C	D
Neo 1.6 Inbuilt	510	765	420	630
Neo 2.5 Inbuilt	560	870	510	680
Alderlea Inbuilt	533	622	464	607

WOOD APPLIANCE HEARTH REQUIREMENTS

	Extending in front of door opening	From side of door opening	Thickness
Neo 1.6 Inbuilt	500	50	50
Neo 2.5 Inbuilt	500	50	50
Alderlea Inbuilt	400	200	50

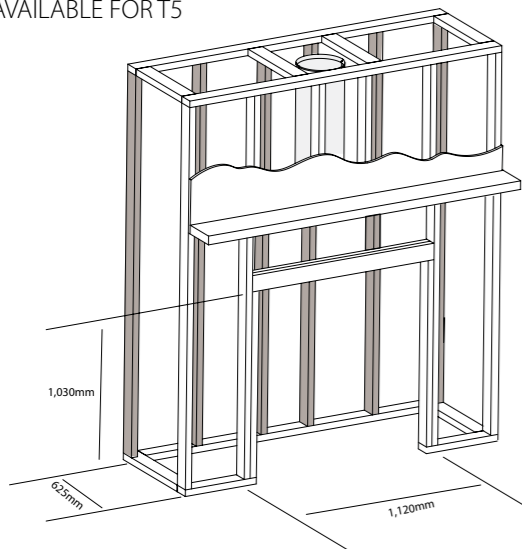
WOOD INBUILT APPLIANCE CLEARANCES TO COMBUSTIBLES



	A	B	C	D	E
Neo 1.6 Inbuilt	250	390	380	500	250
Neo 2.5 Inbuilt	150	390	380	500	150
Alderlea Inbuilt	300	600	300	400	200

ZERO CLEARANCE INSTALLATION

FOR NEO 1.6 AND 2.5
NOT AVAILABLE FOR T5



FRAMING GUIDE

Cavity Height 1,030 mm
Cavity Width 1,120 mm
Cavity Depth 625 mm

If raising of the floor, recommended height off the floor: 300mm

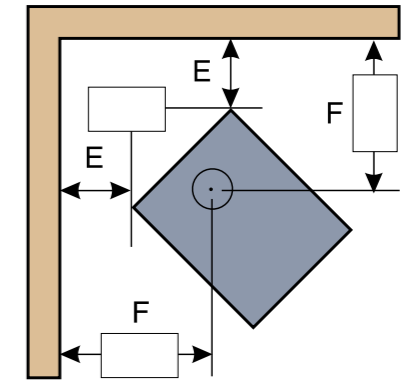
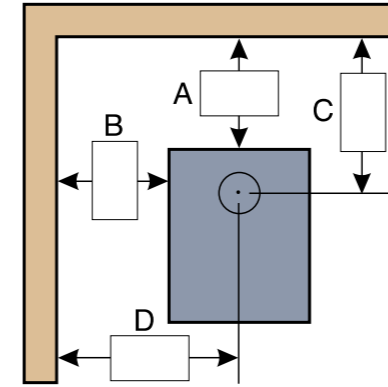
FLOOR PROTECTION

18 mm thick fireproof board
– Needs to extend under the Zero Clearance Box
– Hearth to extend 500mm in front of the heater

For reference only. Installations should be based on manuals and rating labels. Specifications subject to change.



FREESTANDING WOOD

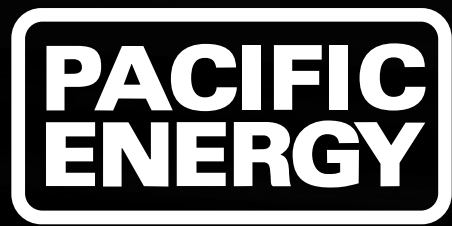


WOOD APPLIANCE MINIMUM CLEARANCES TO COMBUSTIBLES

	STRAIGHT				CORNER	
	A	B	C	D	E	F
Super	100	375	360	680	200	550
Summit	175	250	395	575	150	515
Alderlea T5	100	375	360	695	200	560
Alderlea T6	175	250	395	625	150	515
Neo 1.6	120	250	275	595	150	455
Neo 2.5	100	300	250	670	80	370
Alberni 2.5	150	400	300	760	100	390

WOOD APPLIANCE HEARTH REQUIREMENTS

	Minimum Floor Protector (width x length mm)	Extending in front of door opening (mm)	From side of door opening (mm)	Floor Protection size from back wall	Thickness (mm)
Super	826 x 923	300	200	826 x 1025	6
Summit	875 x 1124	500	200	875 x 1300	6
Alderlea T5	826 x 923	300	200	826 x 1025	6
Alderlea T6	875 x 1124	500	200	875 x 1300	6
Neo 1.6	835 x 880	300	200	835 x 900	9
Neo 2.5	870 x 1000	300	200	870 x 1000	9
Alberni 2.5	870 x 1100	450	200	870 x 1200	9



CANADA'S FINEST STOVES

	Heats		Performance		Features			Clearances (mm)		
	200-230 m ²	280-300 m ²	Efficiency	Emissions in gms	Zero Clearance	Outside Air	Fan	Rear	Side	Corner
Super	●●		67%	0.7	--	●	Opt.	100	375	200
Summit		●●	64%	1.1	--	●	Opt.	175	250	225
Alderlea T5	●●		67%	0.7	--	●	Opt.	100	375	200
Alderlea T6		●●	64%	1.1	--	●	Opt.	175	250	150
Neo 1.6	●●		75%	0.7	--	●	Opt.	120	250	150
Neo 2.5		●●	82%	1.0	--	●	Opt.	100	300	80
Alberni 2.5		●●	82%	1.0	--	●	Opt.	150	400	80
Alderlea T5 Inbuilt	●●		67%	1.1	--	●	●	--		-
Neo 1.6 Inbuilt	●●		72%	1.0	●●	●	●	--		-
Neo 2.5 Inbuilt		●●	67%	1.1	●●	●	●	--		-

* all products subject to change without warning. Due to the limitations of the printing process, it is not possible to replicate colours exactly in a print format. Please check with your local Pacific Energy retailer for colour samples.

Canadian-made Wood Heaters and Inbuilts proudly distributed by
Pivot Stove & Heating Australia in conjunction with Pacific Energy Fireplace Products

For more information and current product updates, visit pivotstove.com.au