

Exceptional wood burning heaters
Made on the Isle of Wight, UK since 1972

charnwood 
AUSTRALIA







INTRO

INTRODUCTION 4

AIRE

AIRE 3 6

AIRE 7 8

SKYE

E700 10

CRANMORE

CRANMORE 7 12

ARC

ARC 7 14

BAY

BAY BX 16

ISLAND

ISLAND II 18

ISLAND III 20

COVE

COVE 3 22

INNOVATION

FLUE KIT OPTIONS 24

FLUE KIT FINISHES 24

INSTALL OPTIONS 24

QUATTROFLOW® SYSTEM 25

COMPARISON CHART 25

VLAZE 26



AIRE 3



AIRE 7



E700



CRANMORE 7



ARC 7



BAY BX



ISLAND II

ISLAND III



COVE 3

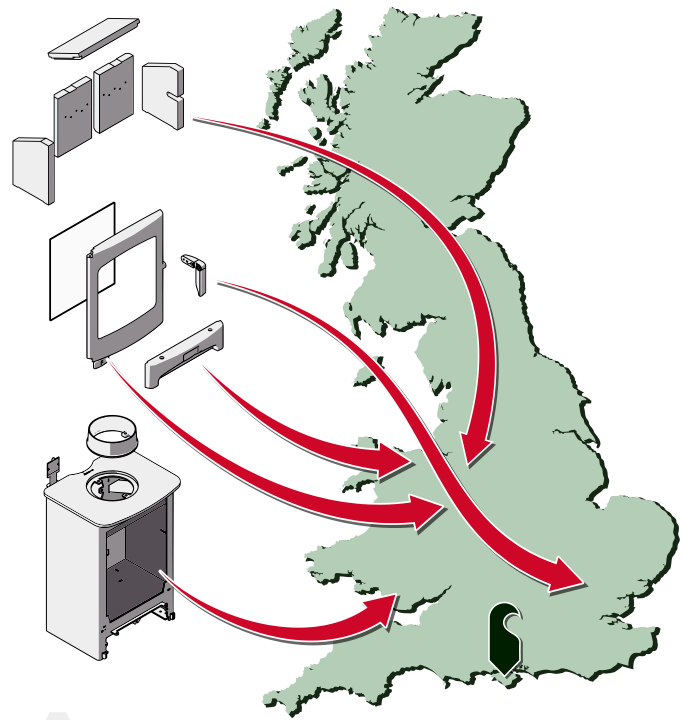


EXCEPTIONAL BRITISH MADE STOVES

CHARNWOOD is a privately owned family business based on the Isle of Wight, UK. Established in 1972, we have become one of the foremost wood heating companies in Europe, specialising in the manufacture of fine wood fired heaters. As a company we believe in taking a strong ethical approach to every area of our business; whether it be in how we design and build our heaters, how we treat our customers or the impact our products have on the environment.

Our heaters are designed and built to last. After fifty years building our first heater there are still many of our original models giving good service as they continue to heat peoples' homes. We believe that this is how it should be; an investment in a Charnwood is more than just a short term relationship.

Our company ethos includes buying, where possible, from local UK based suppliers. Our heaters are designed and built in our own factory on the Isle of Wight and are manufactured using a combination of high-tech precision machinery and skilled hand working. We have employees who have been with us for well over 40 years and have seen the company grow from an operation producing a few hundred heaters a year to one making tens of thousands of units that are sold worldwide.



Part of the success of Charnwood has been due to the loyal following of our customers. We always try to give first class service, to look after our customers and to ensure their needs are met. As a family business, with ten family members working in the company, we recognise the need for personal attention to detail and we always seek to give just that.



10 YEAR GUARANTEE AND OUR 1 YEAR NO-QUIBBLE CONSUMABLES GUARANTEE

When purchased through an official, authorised stockist our stoves are covered by a 10 year guarantee.

10 Year Warranty: The firebox is guaranteed against material and manufacturing defects for 10 years.

1 Year Warranty: The consumable items such as bricks, rope seal and associated parts.



LOW

STORE STAND

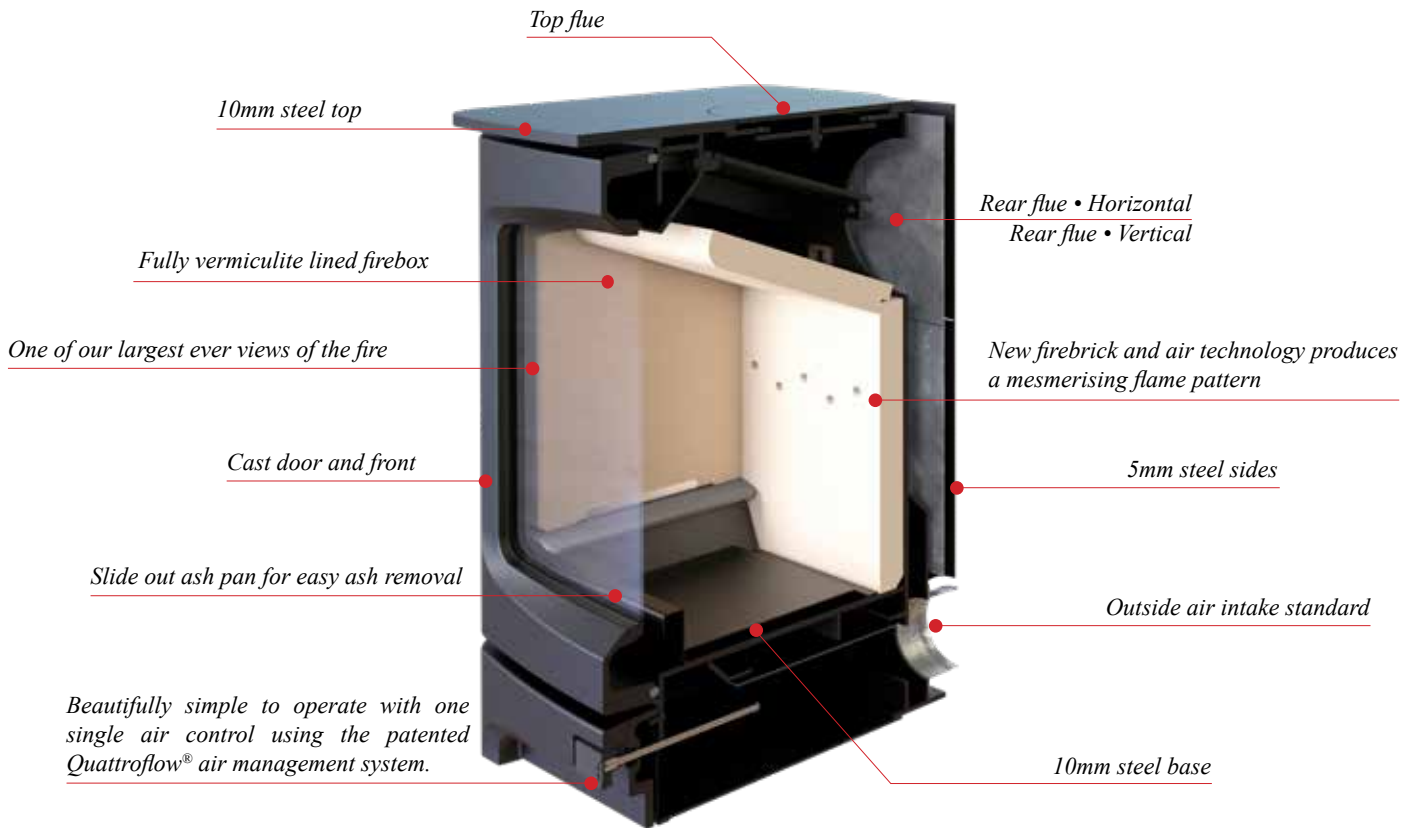


More info

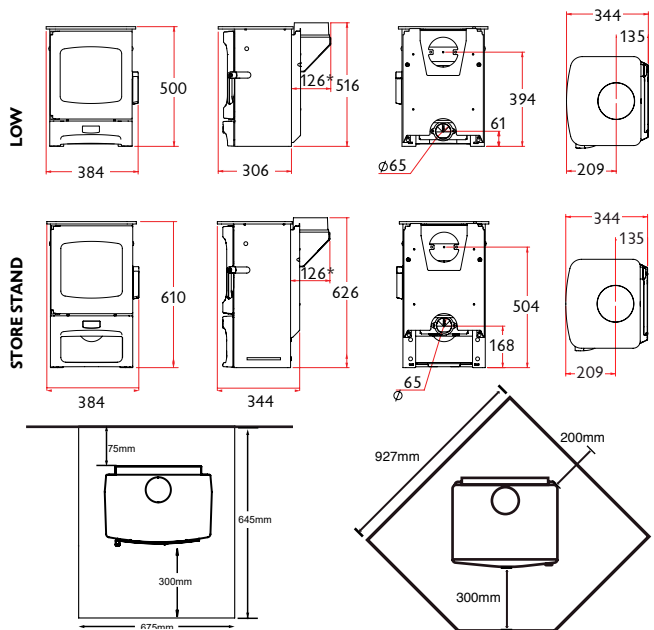
AIRE 3

The **Charnwood Aire 3** is the epitome of modern wood heating, designed for compact spaces and effortless comfort. Small but mighty, this wood heater combines cutting-edge efficiency with sleek aesthetics, making it the ideal choice for cabins, tiny homes, bedrooms or snug corners of your living space.

The **Charnwood Aire 3** is available in two versatile designs: A low design or a sleek store stand, blending functionality with style.



| RATED OUTPUT | |
|---|------------------------------------|
| Up to 70+m2 | |
| EFFICIENCY | EMISSIONS |
| 68% | 0.79grms |
| FLUE OUTLET | |
| Rear Horizontal or Rear Vertical | 5" dia. |
| MAX LOG LENGTH | WEIGHT |
| 250mm (10") | 71KG |
| MIN DISTANCE TO COMBUSTIBLES | |
| Side: 325mm Rear: 75mm Corner: 200mm | Hearth front of unit: 300mm |



OPTIONS



Rear Vertical Flue Adapter



Outside Air Intake



Trivet Cooktop
Pot not included



POD
Black or Splatter (pictured)

Opposite: Aire 3 Store Stand in black on VLAZE Hearth & Heat Shield



LOW

STORE STAND



More info

Crafted with precision and built to last, the **Charnwood Aire 7** blends functionality and elegance to create a warm and inviting atmosphere. The flames in the **Charnwood Aire 7** are nothing short of mesmerizing, creating a captivating display of warmth and beauty. Through its expansive, crystal-clear glass window, the fire comes alive with vibrant, dancing flames that radiate an inviting glow.

Perfect for a medium to large size living room, the **Charnwood Aire 7** is available in two versatile designs; a low design or a sleek store stand.

Top flue

10mm steel top

*Rear flue • Horizontal
Rear flue • Vertical*

Fully vermiculite lined firebox

New firebrick and air technology produces a mesmerising flame pattern

One of our largest ever views of the fire

Cast door and front

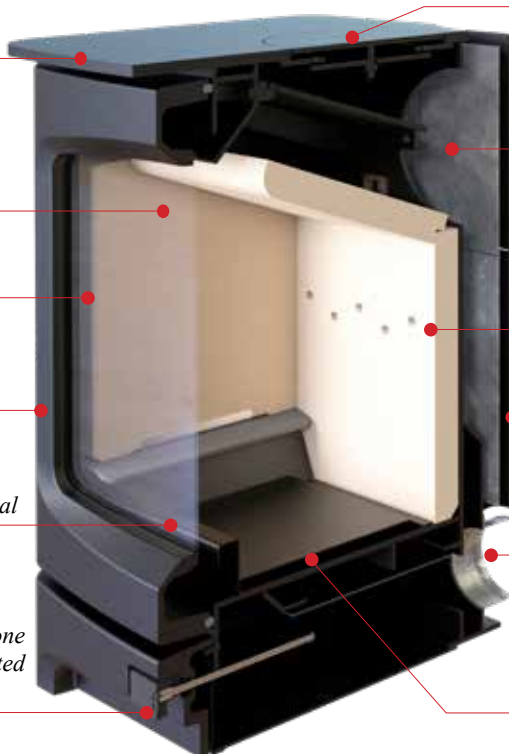
5mm steel sides

Slide out ash pan for easy ash removal

Outside air intake standard

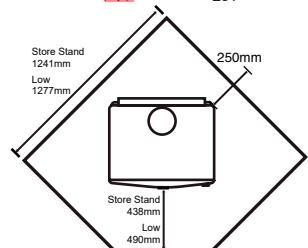
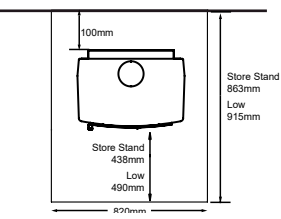
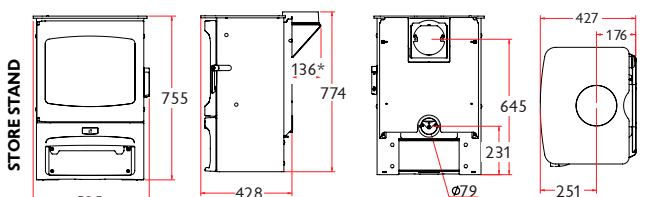
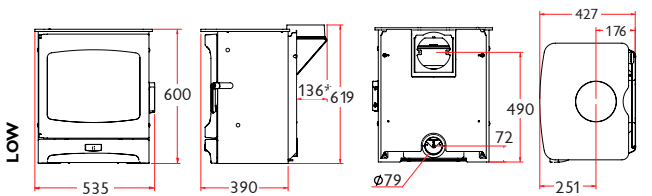
Beautifully simple to operate with one single air control using the patented Quattroflow® air management system.

10mm steel base



| RATED OUTPUT | |
|------------------------------|-------------------------------------|
| Up to 180+m2 | |
| EFFICIENCY | EMISSIONS |
| 66% | 0.7grms |
| FLUE OUTLET | |
| Top or Rear | 6" dia. |
| MAX LOG LENGTH | WEIGHT |
| 390mm (15") | 117KG Low, 135KG Store Stand |
| MIN DISTANCE TO COMBUSTIBLES | |

Side: **425mm** Rear: **100mm** Corner: **250mm** Hearth front of low unit: **490mm**
Hearth front of store stand unit: **438mm**



OPTIONS



Rear Vertical Flue Adapter



Outside Air Intake



Trivet Cooktop
Pot not included



Toasting Fork

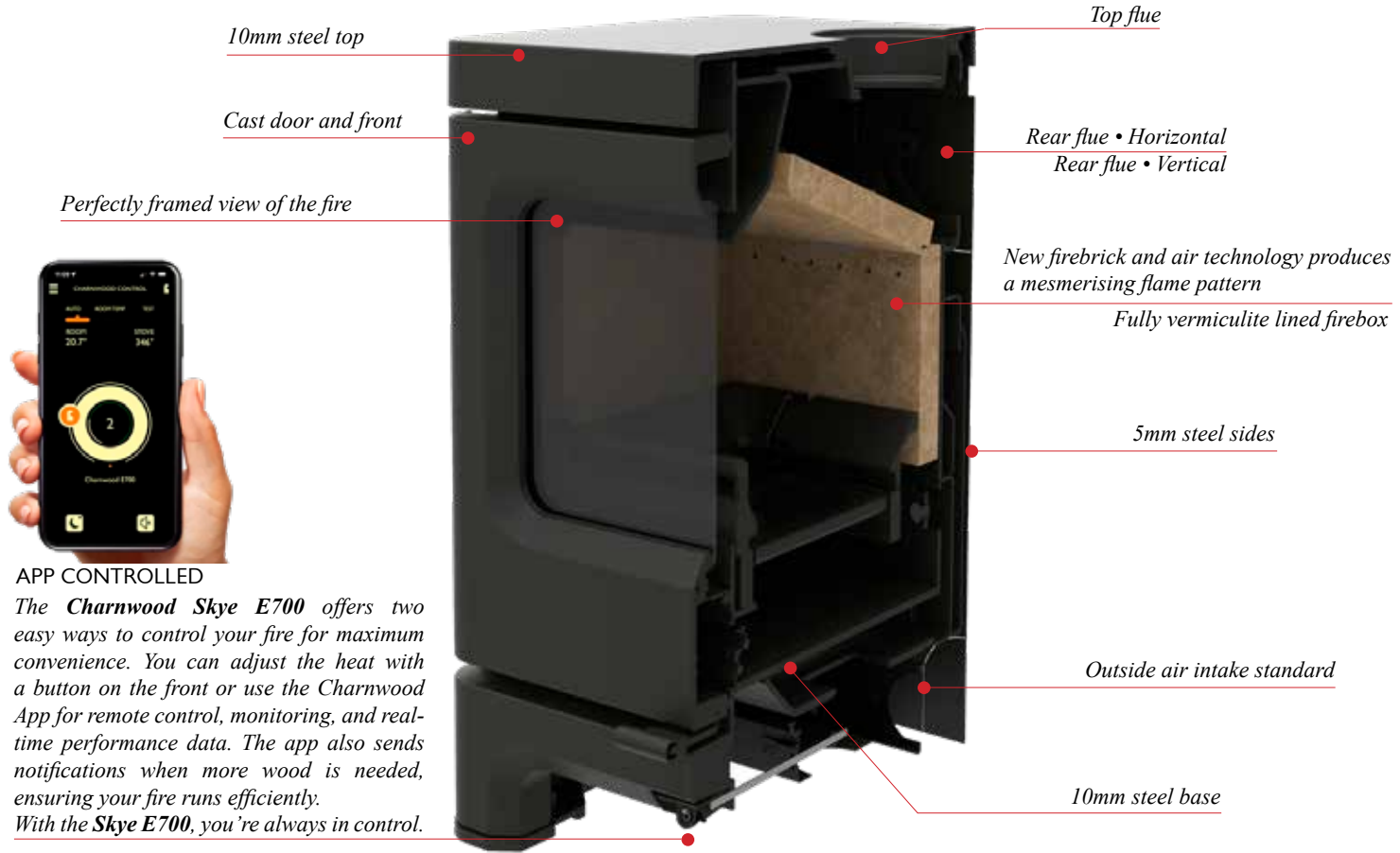




More info

SKYE E700

Introducing the next generation of wood heating – the **Charnwood Skye E700** intelligent Wood Heater. The Automated Electronic Air Control is at the heart of the **Charnwood Skye E700**, continuously adjusting the air supply to ensure your fire burns cleanly and efficiently. In real-time, it responds to fluctuations in the fire’s intensity, optimizing the burn rate for maximum heat output, minimal fuel consumption, and reduced emissions. Say goodbye to constant adjustments—just set it and let the advanced technology do the work for you.



APP CONTROLLED

The **Charnwood Skye E700** offers two easy ways to control your fire for maximum convenience. You can adjust the heat with a button on the front or use the Charnwood App for remote control, monitoring, and real-time performance data. The app also sends notifications when more wood is needed, ensuring your fire runs efficiently. With the **Skye E700**, you're always in control.

| RATED OUTPUT | |
|------------------------------|----------------|
| Up to 220+m2 | |
| EFFICIENCY | EMISSIONS |
| 69% | 0.5grms |
| FLUE OUTLET | |
| Top or Rear | 6" dia. |
| MAX LOG LENGTH | WEIGHT |
| 400mm (16") | 177KG |
| MIN DISTANCE TO COMBUSTIBLES | |

Side: **475mm** Rear: **150mm** Corner: **200mm** Hearth front of stand unit: **480mm**

OPTIONS



Rear Vertical Flue Adapter



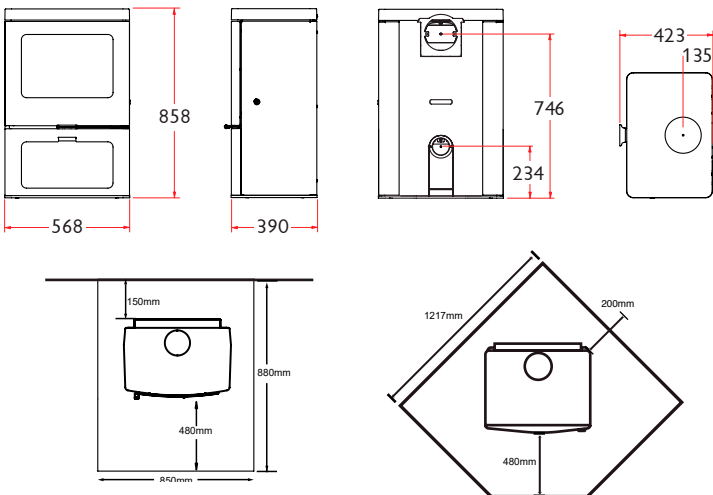
Outside Air Intake



Trivet Cooktop
Pot not included



Toasting Fork



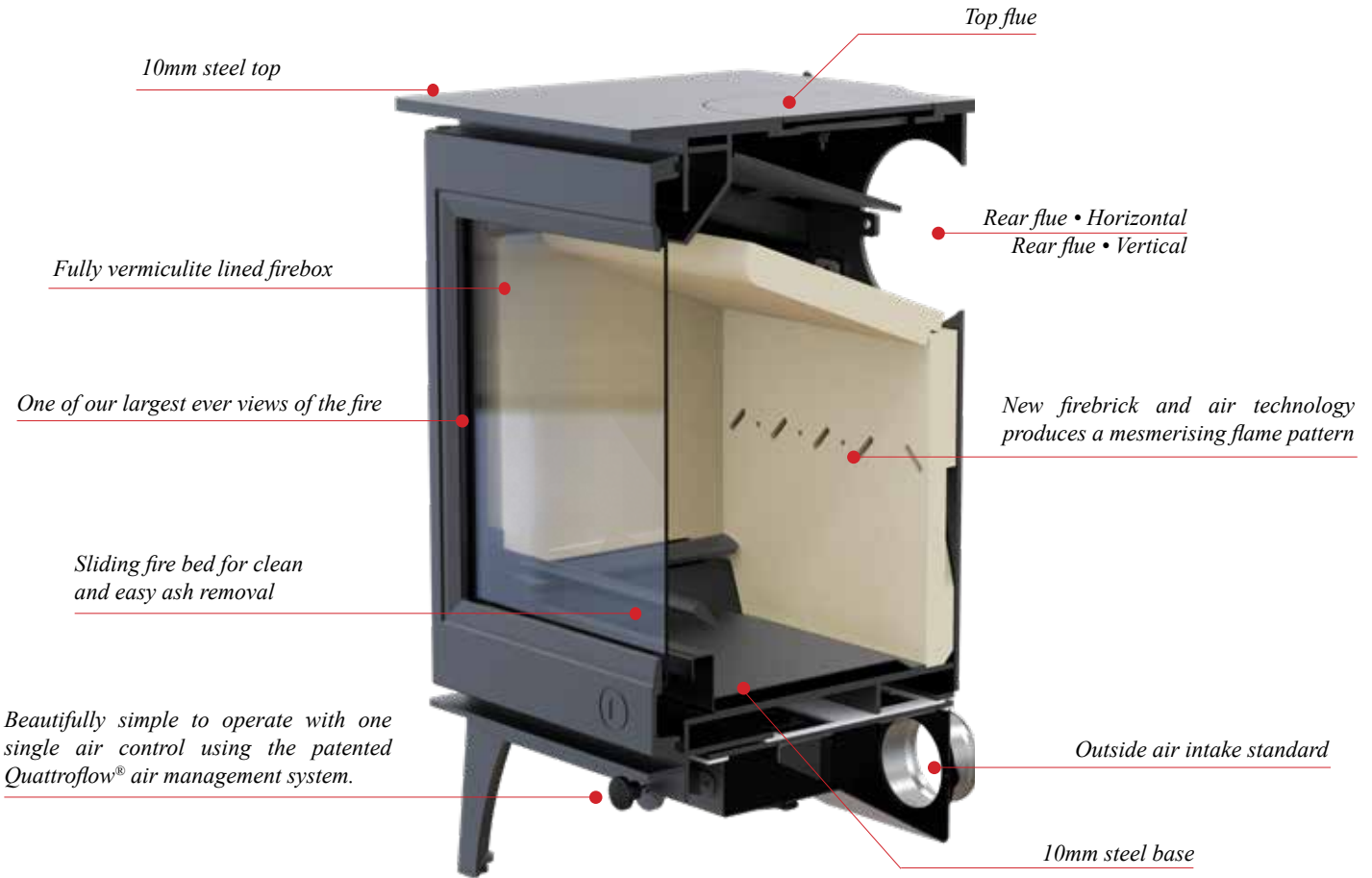




More info

CRANMORE 7

The **Charnwood Cranmore 7** is a powerful wood heater with an elegant design, blending classic charm with modern performance. Designed to heat larger spaces effortlessly, the **Charnwood Cranmore 7** combines sophisticated style, advanced technology, and Charnwood's renowned craftsmanship to provide exceptional warmth and create a refined, inviting ambiance. The large viewing window offers a stunning display of mesmerizing flames, adding a captivating focal point to any room.



| | |
|-------------------------------------|------------------|
| RATED OUTPUT | |
| Up to 180+m2 | |
| EFFICIENCY | EMISSIONS |
| 66% | 0.7 grms |
| FLUE OUTLET | |
| Top or Rear | 6 dia. |
| MAX LOG LENGTH | WEIGHT |
| 390mm (15") | 117KG |
| MIN DISTANCE TO COMBUSTIBLES | |

Side: 425mm Rear: 100mm Corner: 250mm Hearth front of stand unit: 490mm

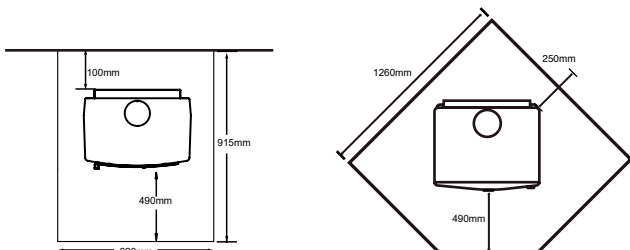
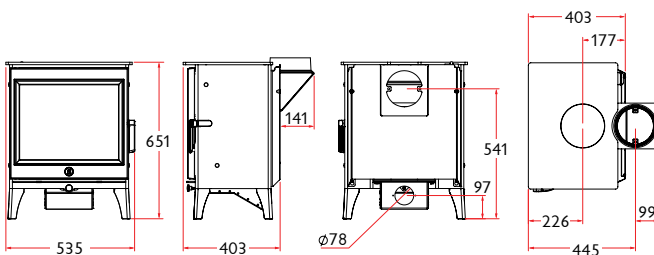
OPTIONS



Rear Vertical Flue Adapter



Outside Air Intake



Trivet Cooktop
Pot not included



Toasting Fork



LOW

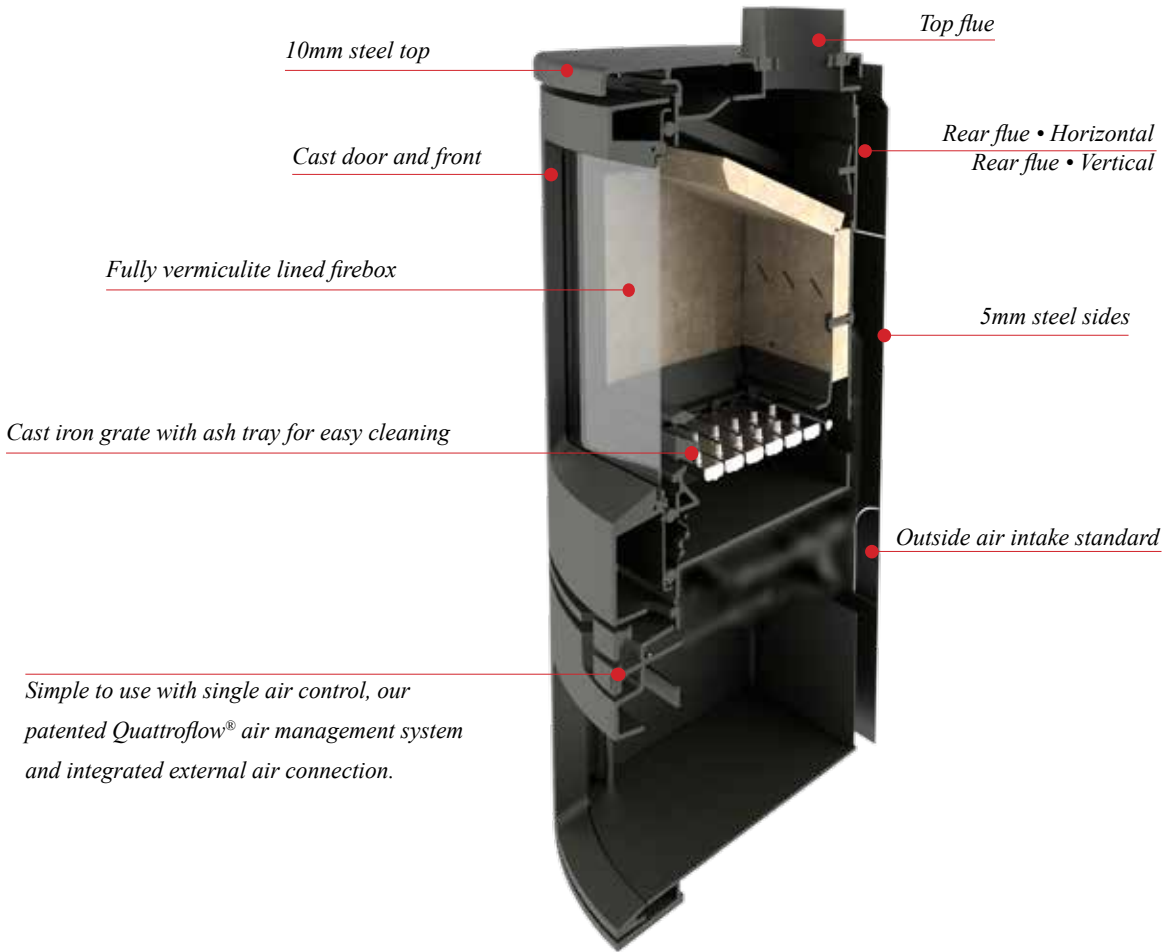
STORE STAND



More info

The **Charnwood Arc 7** provides the highest heat output, delivering exceptional warmth to even the most spacious areas. Designed for larger homes or open-plan living spaces, this wood heater is perfect for those who require powerful heating performance.

Its sleek, contemporary design features a large viewing window, allowing you to enjoy the stunning flames as they dance, creating a cozy and inviting atmosphere.



| | |
|--|-------------------------------------|
| RATED OUTPUT | |
| Up to 180+m2 | |
| EFFICIENCY | EMISSIONS |
| 70% | 0.8grms |
| FLUE OUTLET | |
| Top or Rear | 6" dia. |
| MAX LOG LENGTH | WEIGHT |
| 325mm (12.5") | 150KG Low, 170KG Store Stand |
| MIN DISTANCE TO COMBUSTIBLES | |
| Side: 400mm Rear: 100mm Corner: 275mm | Hearth front of unit: 420mm |

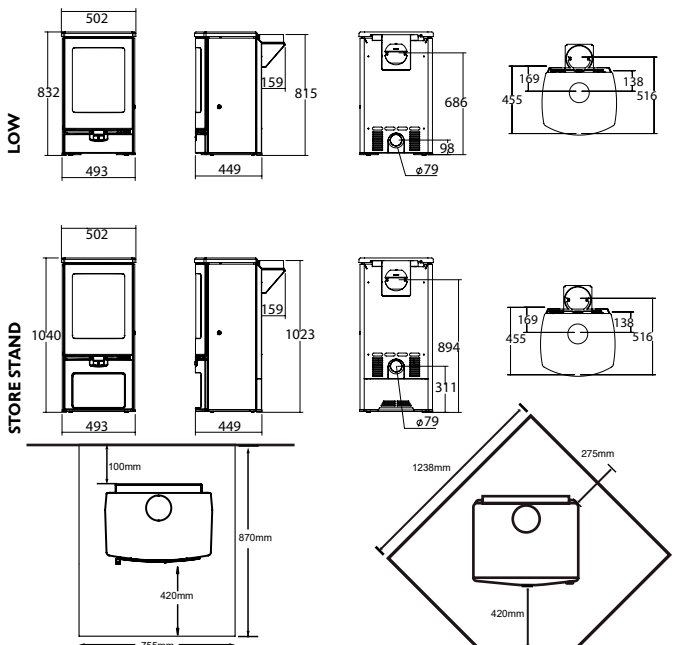
OPTIONS



Rear Vertical Flue Adapter



Outside Air Intake



Toasting Fork



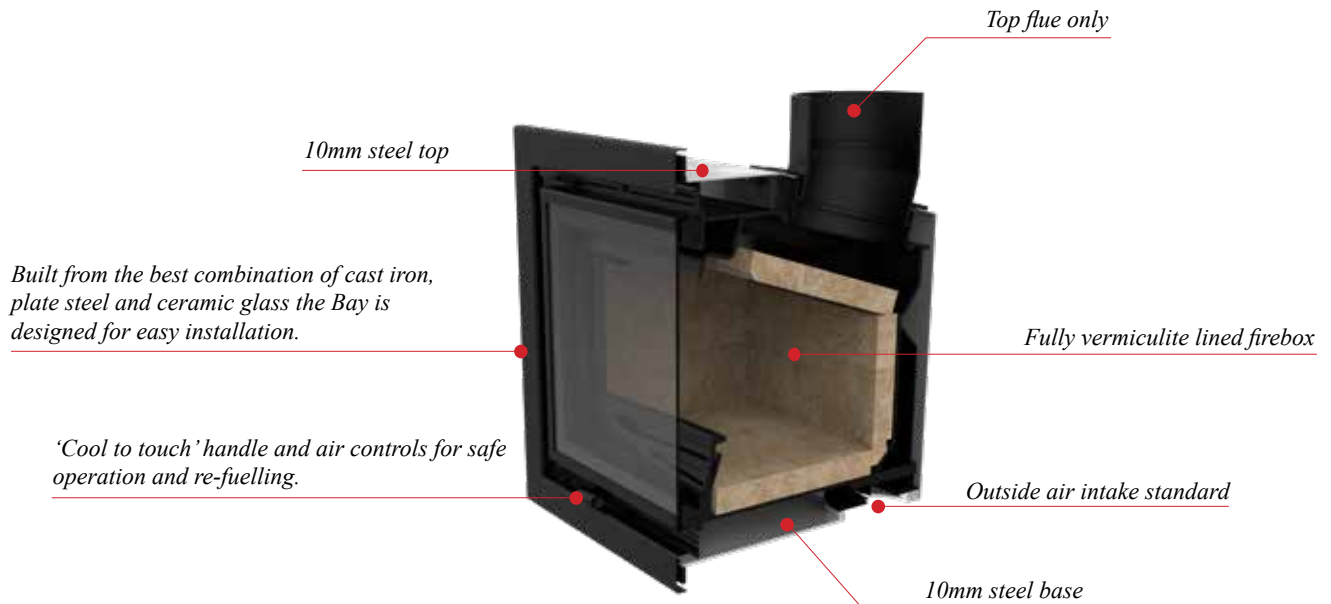


More info

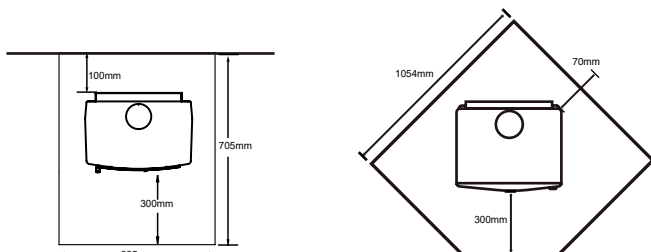
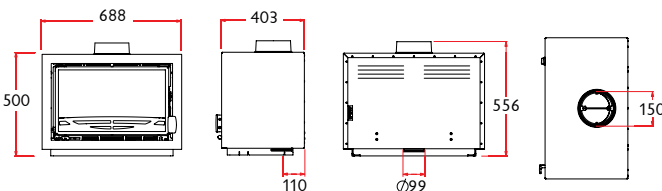
BAY BX

The **Charnwood Bay BX** is a sophisticated wood heater that combines exceptional performance with timeless design. With its sleek, modern lines and robust build, it is engineered to deliver outstanding heat output while enhancing the aesthetic of any living space. Ideal for medium size homes, heating up to 160+ m², ensuring consistent warmth and comfort throughout your home.

The **Charnwood Bay BX** is ideally suited for high-efficiency homes, providing optimal heat output while minimizing energy consumption, making it an excellent choice for maintaining a comfortable and sustainable living environment. Offering flexible installation options, allowing it to be seamlessly integrated into a concrete bench or mounted on one of its stylish optional stands for a sleek, modern look.



| | |
|---|------------------------------------|
| RATED OUTPUT | |
| Up to 160+m² | |
| EFFICIENCY | EMISSIONS |
| 68% (71% with Insulated Flue) | 0.8grms |
| FLUE OUTLET | |
| Top only | 6" dia. |
| MAX LOG LENGTH | |
| 463mm (18") | |
| MIN DISTANCE TO COMBUSTIBLES | |
| Side: 200mm Rear: 100mm Corner: 70mm | Hearth front of unit: 300mm |



OPTIONS



Toasting Fork



Outside Air Intake



Store Stand



Bench Stand

| | | A | B | C | WEIGHT |
|--|--|------|------|-----|--------|
| NO STAND (Bay BX unit only) | | 500 | 688 | 403 | 103KG |
| STORE STAND (inc. Bay BX unit) | | 1000 | 688 | 500 | 126KG |
| BENCH STAND (inc. Bay BX unit) | | 1000 | 1300 | 500 | 139KG |





More info

ISLAND II

The Charnwood Island II is a quintessentially traditional English wood heater, blending timeless design with exceptional performance. With its classic, sturdy build, this heater is ideal for large spaces, providing powerful heat output while maintaining a clean and efficient burn through its advanced combustion system.

The Charnwood Island II features two large glass doors that provide an uninterrupted view of the flames, creating a warm and inviting ambiance in your home. Meticulously crafted with Charnwood's signature attention to detail, the Island II is not only a dependable source of heat, but also a striking centerpiece.



| RATED OUTPUT | |
|--|------------------------------------|
| Up to 180+m2 | |
| EFFICIENCY | EMISSIONS |
| 69% | 0.8grms |
| FLUE OUTLET | |
| Top or Rear | 6" dia |
| MAX LOG LENGTH | WEIGHT |
| 480 mm (19") | 133KG |
| MIN DISTANCE TO COMBUSTIBLES | |
| Side: 450mm Rear: 100mm Corner: 275mm | Hearth front of unit: 470mm |

OPTIONS



Rear Vertical Flue Adapter



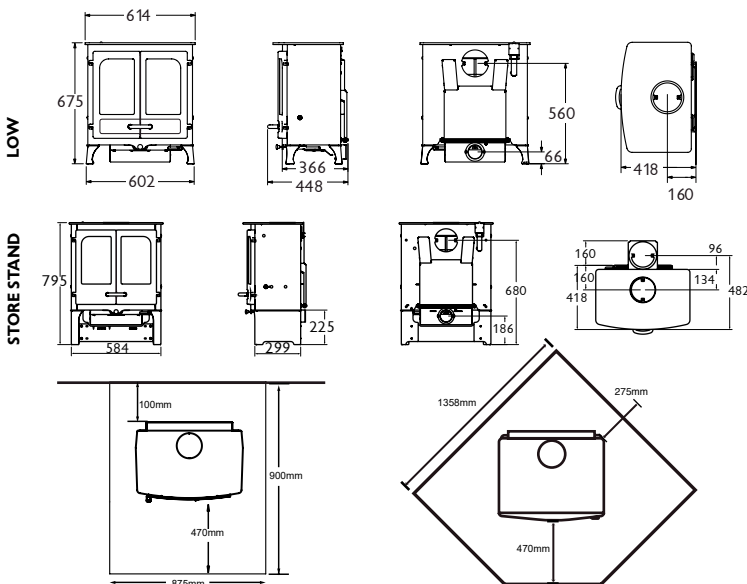
Store Stand



Outside Air Intake



Trivet Cooktop
Pot not included







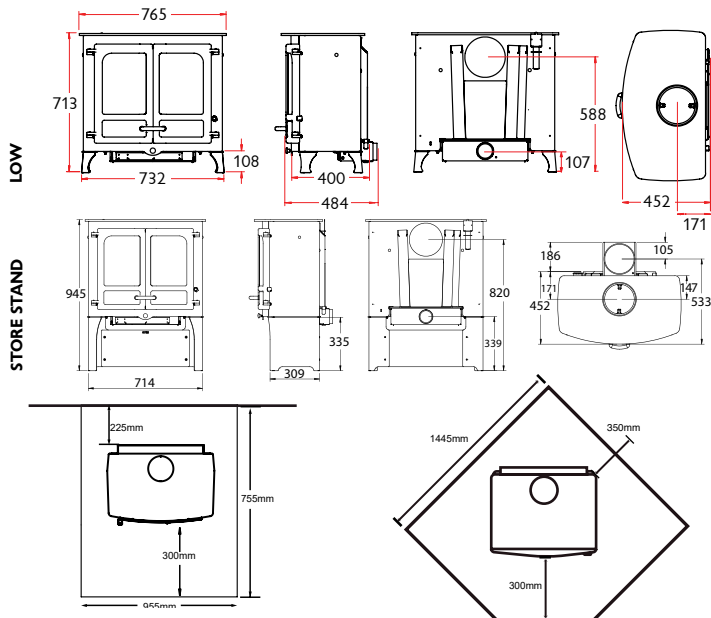
More info

ISLAND III

The **Charnwood Island III** is the ultimate expression of traditional English craftsmanship, designed for larger spaces and delivering exceptional heating performance. With its robust build and advanced combustion technology, it provides powerful warmth while ensuring an efficient, clean burn. Featuring two large glass doors, the **Charnwood Island III** offers grand, unobstructed view of the flames, casting a comforting glow throughout your home. Impeccably crafted with Charnwood's signature attention to detail, the **Island III** is a captivating focal point that exudes timeless English charm, effortlessly enhancing the elegance of any room.



| RATED OUTPUT | |
|--|------------------------------------|
| Up to 250+m2 | |
| EFFICIENCY | EMISSIONS |
| 63% | 1.0grm |
| FLUE OUTLET | |
| Top or Rear | 7" dia |
| MAX LOG LENGTH | WEIGHT |
| 611mm (24") | 180KG |
| MIN DISTANCE TO COMBUSTIBLES | |
| Side: 525mm Rear: 225mm Corner: 350mm | Hearth front of unit: 300mm |



OPTIONS



Rear Vertical Flue Adapter



Store Stand



Outside Air Intake



Trivet Cookpot
Pot not included



LOW

STORE STAND



More info

COVE 3

The **Charnwood Cove 3** is expertly crafted to bring exceptional warmth and make a statement in larger rooms. Featuring a modern, streamlined design and a robust heat output, it guarantees even and consistent heat distribution, filling your home with a welcoming, cozy ambiance. Its cutting-edge combustion system enhances efficiency, delivering a clean, eco-friendly burn while minimizing wood usage. The expansive glass window provides an enchanting view of the flames, making the **Charnwood Cove 3** a striking centerpiece in any room.



Simple to use with single air control, our patented *Quattroflow*[®] air management system and integrated external air connection.

| | |
|--|------------------------------------|
| RATED OUTPUT | |
| Up to 350+m2 | |
| EFFICIENCY | EMISSIONS |
| 71% | 0.9grms |
| FLUE OUTLET | |
| Top or Rear | 7" dia |
| MAX LOG LENGTH | WEIGHT |
| 481mm (19") | 171KG |
| MIN DISTANCE TO COMBUSTIBLES | |
| Side: 550mm Rear: 100mm Corner: 300mm | Hearth front of unit: 450mm |

OPTIONS



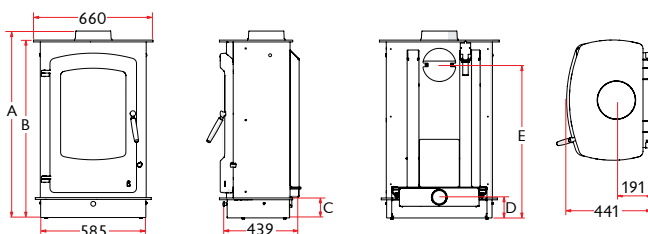
Rear Vertical Flue Adapter



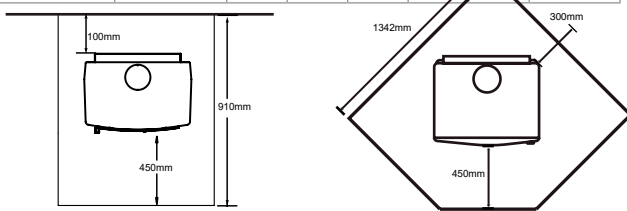
Outside Air Intake



Toasting Fork

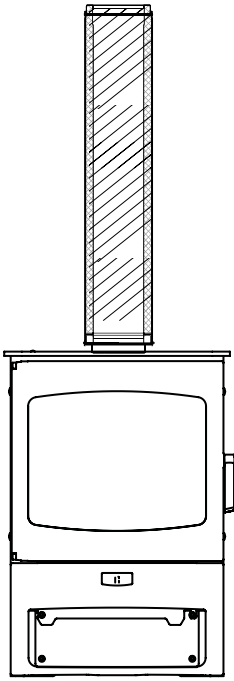


| | A | B | C | D | E | WEIGHT |
|--------------------|------|------|-----|-----|------|--------|
| LOW STAND | 1030 | 980 | 110 | 115 | 844 | 159KG |
| STORE STAND | 1330 | 1280 | 410 | 415 | 1144 | 171KG |

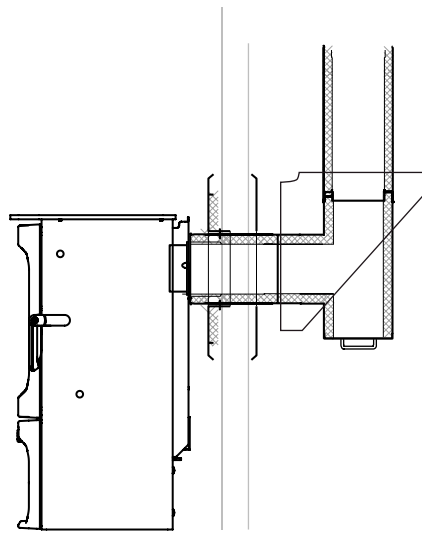


Opposite: Cove 3 on Store Stand

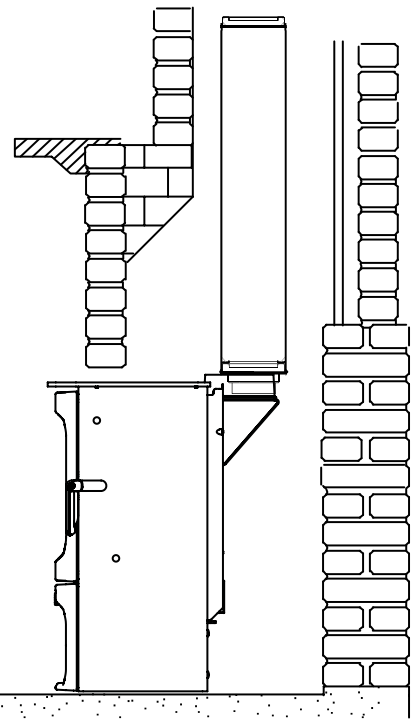
flue kit FLUE OPTIONS



Top Flue

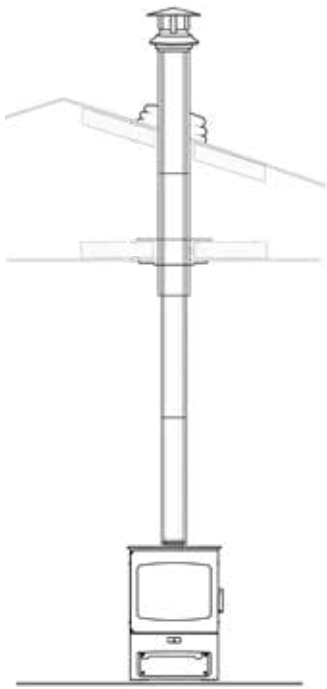


Rear Flue

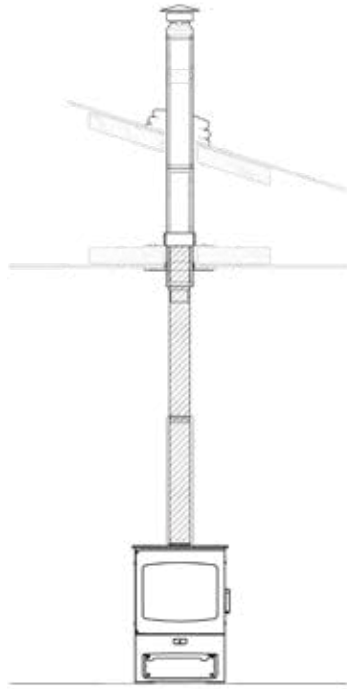


Vertical Rear Flue

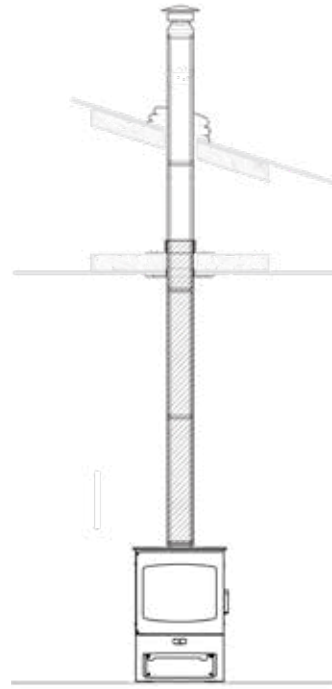
flue kit OPTIONS



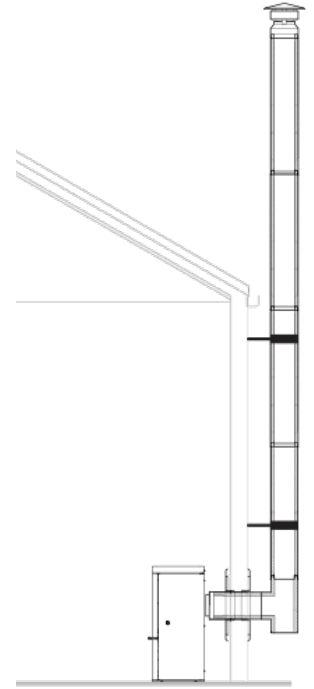
Air Cooled Flue



Standard RSF



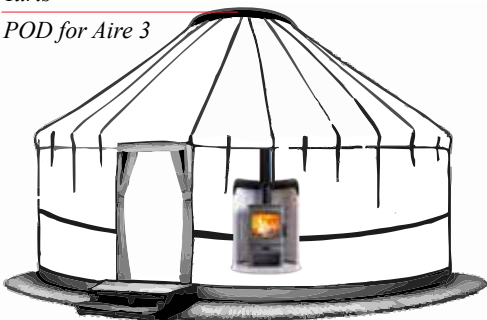
Full RSF



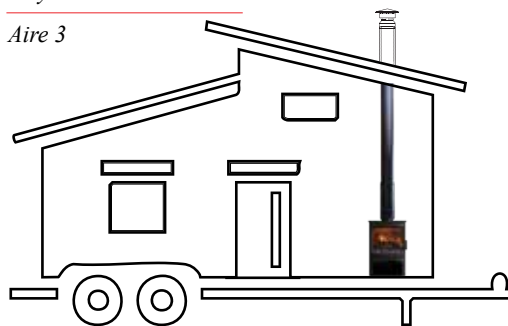
Rear Flue

install OPTIONS

*Yurts
POD for Aire 3*



*Tiny Homes
Aire 3*



*New Homes
Outside Air*



quattroflow® AIR MANAGEMENT SYSTEM

1 PRIMARY air vent:
the main control for
faster/slower burning

2 SECONDARY air
vent for clean glass
and double combustion

3 TERTIARY air vent
for optimum com-
bustion efficiency



This is a revolutionary air management system patented by Charnwood and used on the Aire, Arc, Island, Cove and Bay models. Using a number of air chambers the single control introduces the right amount of air into just the right places for ultra efficient burning and optimum control: pull out to increase the burning rate - push in to slow it down. An outside air supply can be channelled directly into the stove through the rear of the Quattroflow® box.

charnwood COMPARISON CHART

| | AIRE 3 | AIRE 7 | CRANMORE 7 | SKYE E700 | ARC 7 | BAY BX | ISLAND II | ISLAND III | COVE 3 |
|---------------------------------|----------|----------|------------|-----------|----------|----------|-----------|------------|----------|
| Radiant | Standard | Standard | Standard | Standard | Standard | Standard | Standard | Standard | Standard |
| Convection | Standard | Standard | Standard | Standard | Standard | Standard | Standard | Standard | Standard |
| Quattroflow® / Single control | Standard | Standard | Standard | Standard | Standard | Standard | Standard | Standard | Standard |
| Electronic Air Control | Standard | Standard | Standard | Standard | Standard | Standard | Standard | Standard | Standard |
| Vertical rear flue adaptor | Optional | Optional | Optional | Optional | Optional | Optional | Optional | Optional | Optional |
| External air kit | Optional | Optional | Optional | Optional | Optional | Optional | Optional | Optional | Optional |
| Riddling grate & ash tray | Standard | Standard | Standard | Standard | Standard | Standard | Standard | Standard | Standard |
| 'Cool to touch' handle | Standard | Standard | Standard | Standard | Standard | Standard | Standard | Standard | Standard |
| Firebrick lining | Standard | Standard | Standard | Standard | Standard | Standard | Standard | Standard | Standard |
| Removable baffle | Standard | Standard | Standard | Standard | Standard | Standard | Standard | Standard | Standard |
| Double doors | Standard | Standard | Standard | Standard | Standard | Standard | Standard | Standard | Standard |
| Efficiency (%) | 68 | 66 | 66 | 69 | 70 | 68 | 69 | 63 | 71 |
| Emissions (g/kg) | 0.79 | 0.7 | 0.7 | 0.5 | 0.8 | 0.8 | 0.8 | 0.9 | 0.9 |
| Heating Capacity m ² | 70 | 130 | 150 | 220 | 130 | 120 | 150 | 180 | 350 |

Standard Optional



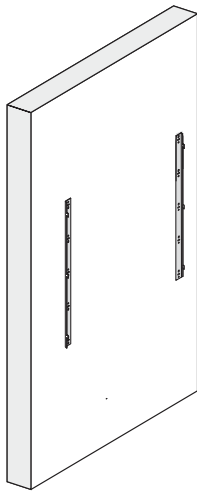
More info

vlaze HEAT SHIELDS

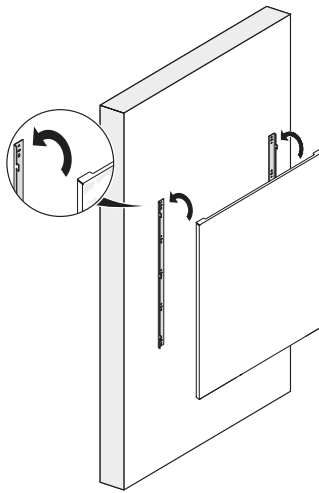
Reduces the rear clearance of any wood heater by up to 80%



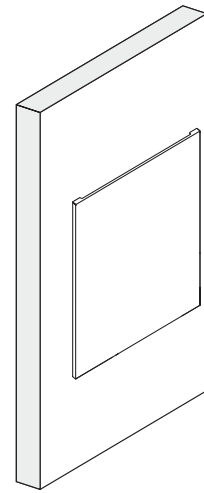
EASY TO INSTALL



Step 1



Step 2



Step 3

AVAILABLE IN 3 FINISHES



Black



Crackle



Splatter



More info

vlaze HEARTHHS



Luxurious vitreous enamel hearths

AVAILABLE IN 3 FINISHES



Black

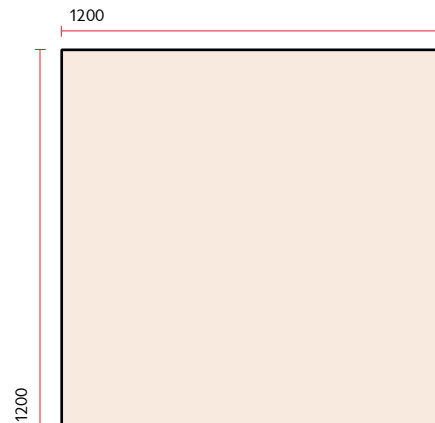
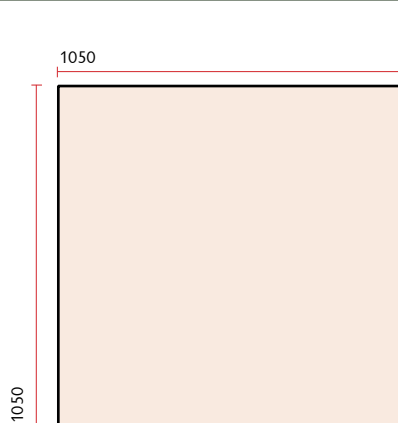


Crackle



Splatter

2 SIZES AVAILABLE





Contact us:



Got a question for us about Charnwood?
Please get in touch with your closest reseller

pivotstove.com.au



Full Catalogue