



**Jetmaster**  
*Fireplaces Australia*

OPEN FIRES



Brilliant Heat, Beautiful to Watch.



## IT'S AN IMPRESSIVE FEATURE TO INCLUDE WHEN YOU'RE BUILDING OR RENOVATING.

---

There's no better time than when you're building to include a fireplace, it's the feature that always becomes the focus of the home.

Building a full brick fireplace can be hit or miss, but by installing a Jetmaster, there's nothing for you or your builder to worry about. All the builder has to do is a minimal amount of hebel or brickwork around the prefabricated Jetmaster firebox.

When it comes to designing your fireplace, possibilities are endless with a Jetmaster.

Because the Jetmaster system is self contained and so easy to install, it will save you up to half the price of a full brick chimney.

What's even more reassuring is that every Jetmaster is unconditionally guaranteed for 15 years to work beautifully. You get super-efficient heating, no smoking, easy lighting, very little cleaning, plus the warmth and comfort of a Jetmaster fireplace.



Family Pavilion by Cadence & Co



## THE BEAUTY & EFFICIENCY OF JETMASTER

---

Only a Jetmaster Universal firebox can burn either wood or gas. This means you can convert your wood fireplace to gas with relative ease by simply removing the log pan and installing one of our efficient pebble, coal or log gas burners. The Universal solid steel firebox is designed to handle the hottest heat, be it an efficient wood fire or an open gas, where Jetmaster offers the highest variable gas inputs at the flick of a switch.





## GRACE AND AMBIENCE OF A JETMASTER DOUBLE-SIDED FIRE

---

A Jetmaster double sided fireplace can make a stunning feature as a room divider or simply be used to divide and heat two separate rooms. Either way you can enjoy round the room comfort of Jetmaster's two-way radiant and convected heat.







## ENJOY THE GREAT OUTDOORS

---

If you love outdoor dining and entertaining then a gas or wood Jetmaster fireplace is the perfect addition to any alfresco area. The fireplace can also be used as a barbecue helping you enjoy your outdoor living year round.

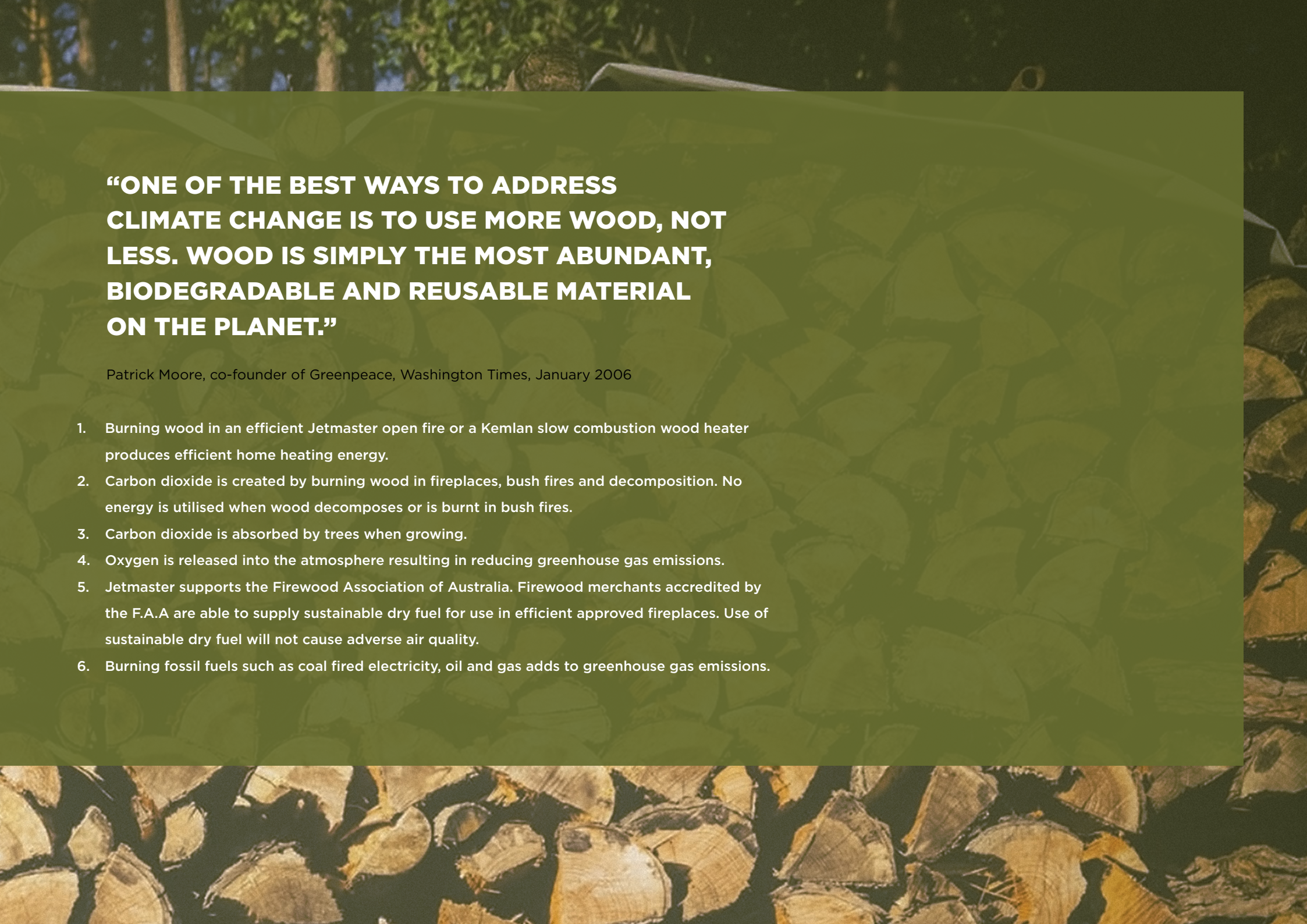


# TIMBER. IT'S RENEWABLE, IT'S SUSTAINABLE, IT'S LOOKING AFTER YOU AND THE PLANET.

*“In terms of limiting net greenhouse gas emissions, firewood is generally more favourable for domestic heating than other non-renewable fossil fuel sources of energy.”*

Australian Greenhouse Office Life Cycle Assessment of Greenhouse Gas Emissions from Domestic Woodheating





**“ONE OF THE BEST WAYS TO ADDRESS CLIMATE CHANGE IS TO USE MORE WOOD, NOT LESS. WOOD IS SIMPLY THE MOST ABUNDANT, BIODEGRADABLE AND REUSABLE MATERIAL ON THE PLANET.”**

Patrick Moore, co-founder of Greenpeace, Washington Times, January 2006

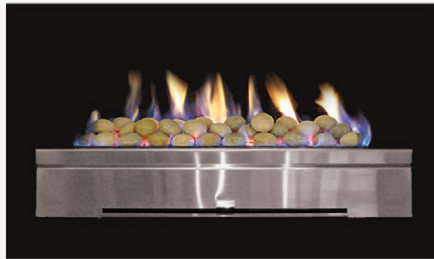
1. Burning wood in an efficient Jetmaster open fire or a Kemplan slow combustion wood heater produces efficient home heating energy.
2. Carbon dioxide is created by burning wood in fireplaces, bush fires and decomposition. No energy is utilised when wood decomposes or is burnt in bush fires.
3. Carbon dioxide is absorbed by trees when growing.
4. Oxygen is released into the atmosphere resulting in reducing greenhouse gas emissions.
5. Jetmaster supports the Firewood Association of Australia. Firewood merchants accredited by the F.A.A are able to supply sustainable dry fuel for use in efficient approved fireplaces. Use of sustainable dry fuel will not cause adverse air quality.
6. Burning fossil fuels such as coal fired electricity, oil and gas adds to greenhouse gas emissions.

## A JETMASTER BURNER TO SUIT EVERYONE'S TASTE

---

Jetmaster's high variable flame gas burners offer stunning realism, plus you also get stunning heat as well - up to an estimated 6-7kw of heat output and because the flame is variable, you have total control of your gas usage.

All Jetmaster gas burners are Australian Gas Association approved which is your absolute guarantee of safety.



850 pebbles Topaz stainless steel front.  
Suits all 850 series models.  
Gas input high 65mj/hr, low 45mj/hr.



Iron bark 700 flat Nova stainless steel front. Suits 600, 700sh and 700D models. Not suitable for low models.  
Gas input high 55mj/hr, low 39mj/hr.



1050 Topaz pebbles.  
Suits 1050 series models.  
Gas input high 65mj/hr, low 45mj/hr.



Super heat coals with Spanish Black front.  
Suits all 600-850 series models.  
Gas input high 72mj/hr, low 50mj/hr. Not available in LPG.



700 Iron bark logs with Spanish brass front.



850 Iron bark Nova black front.  
Suits 850, 850low models.  
Gas input high 61mj/hr, low 43mj/hr.



Standard coals with picket front.  
Suits 440-700sh model series. Gas  
input high 55mj/hr, low 39mj/hr.



Coal burner with black Nova front



700 Iron bark Sabre  
black front.

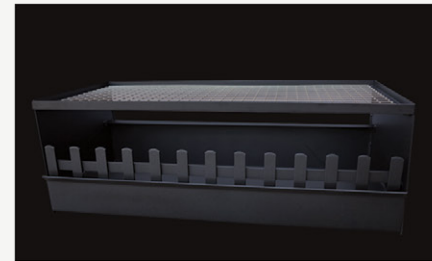
## WOOD BURNING OPTIONAL LOG PANS



Standard logpan with picket front



Optional clean face log pan



Log pan with optional  
alfresco cook top

## SPECIFICATIONS

### JETMASTER UNIVERSAL

\*Dimensions in millimetres

Heating capacity (Sqm)

	A	A1	B	C	D	E	WOOD	GAS**
440	470	510	330	610	200	200	25	25
500	570	600	350	650	200	200	25	25
600	670	700	350	650	200	200	40	40
600 LOW	670	700	350	600	200	200	40	40
700SH	770	800	350	650	200	200	50	50
700SH LOW	770	800	350	600	200	200	50	50
700D	770	800	400	700	225	200	60*	50
850	920	950	450	750	250	220	80	60
850 LOW	920	950	450	700	250	220	80	60
1050	1120	1150	500	800	300	240	100	-
1050 LOW LOW	1120	1150	500	700	300	240	100	50
1200	1250	1300	605	1020	250**	400	150	-
1500	1550	1600	605	1020	300**	400	150	-

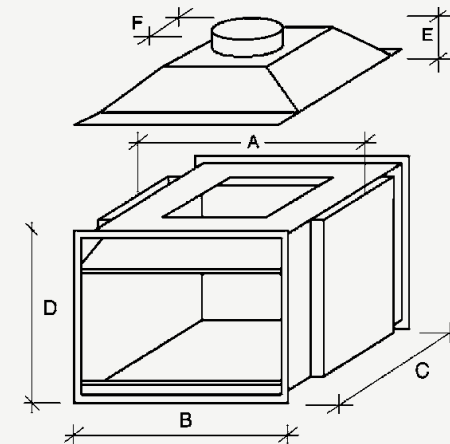
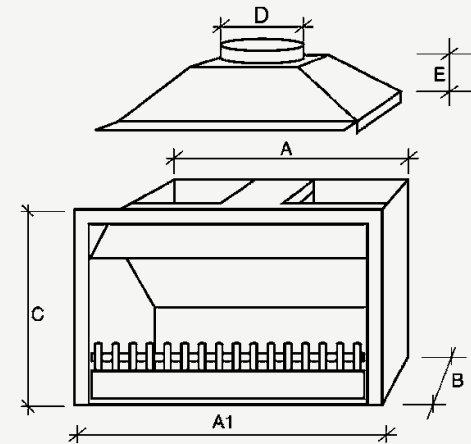
### JETMASTER DOUBLE SIDED

Heating capacity (Sqm)

	A	B	C	D	E	F	WOOD	GAS**
700	850	800	610	700	220	345*	60	40
1050 LOW LOW	1205	1150	600	680	233	455	80	-

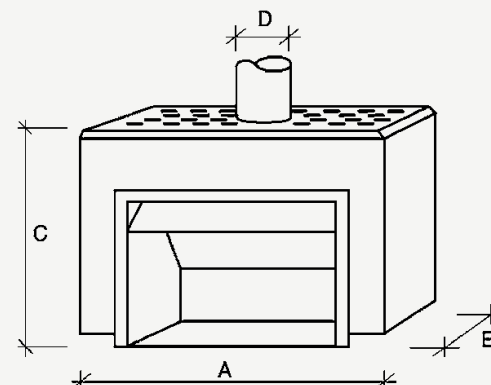
\*\*Requires 2 flue outlets (single flue option also available).

\*\*\*Depending on type of burner.



JETMASTER FREESTANDING

	A	B	C	D	WOOD	GAS**
600	1000	390	845	200	50	50
700SH	1050	390	845	200	60	50
700D	1100	440	945	225	80	60
850	1200	490	995	250	100	70



## THE JETMASTER GUARANTEE

Provided the Jetmaster Fireplace is installed according to Jetmaster instructions and a Jetmaster receptacle is used for fuel burning, the unit\* is unconditionally guaranteed for a period of 15 (fifteen) years (excluding rust) from the date of installation of the fireplace.

\*Not including the log pan, glass doors or gas burner.



**NOTES**

---

---

---

---

---

---

---

---

**Reliability | Innovation | Service | Quality**

For the entire Jetmaster range, visit your nearest showroom  
[jetmaster.com.au](http://jetmaster.com.au) | 1300 538 627

NSW - 55 Marrickville Road Marrickville 2204

QLD - 13 French Ave Brendale 4500

S.A - 40 Maple Ave Forestville 5035

W.A - 277 Lord Street Perth 6000

VIC - [www.jetmaster.com.au](http://www.jetmaster.com.au)