

PYROCLASSIC ACCESSORIES



RAISED HEARTHES & WOODBINS

Lift your Pyroclassic fire to the perfect height for operating your wood fire with one of our hearth options. The woodbins are reversible, one side for stacking wood or turn around and use as a storage drawer for your tools and kindling, giving you the ultimate flexibility. All are available in Black Ripple.



Wood Bench in Black Ripple

A modern and updated new look raised bench with ash floor protector.

Pyro IV: W 700mm x D 990mm x H200mm
Pyro Mini: W 700mm x D 800mm x H 200mm



Large Woodbin in Black Ripple

A direct replacement for a traditional insulated tiled hearth, this woodbin meets all clearances.

Pyro IV: W 690mm x D 950mm x H250mm
Pyro Mini: W 690mm x D 760mm x H 250mm



Small Woodbin in Black Ripple

Ideal for installations when a hearth is not required because the floor itself meets the standards for a non combustable floor, Concrete/Tiles etc. Pictured with optional Ash Floor Protector for combustable floors.

Pyro IV: W 480mm x D 680mm x H 250mm
Pyro Mini: W 480mm x D 490mm x H 250mm

LOG RACK

Enjoy the convenience of this stylish log rack. Available in Black Ripple.

Dimensions:
Width 800mm
Height 1000mm
Depth 300mm



COOKTOP SET

Roast and bake to perfection on your Pyroclassic IV with our handy oven, mitt and trivet set. Available in a Black painted finish to match your fire.



WALL PROTECTION

Wall screens will significantly reduce the minimum required safety distances by protecting the wall from the hottest parts of the fire. Available in our full colour range, they offer a stylish and practical solution compared to an industry-standard flue shield.



Standard:
W 550mm x H 800mm x D 25mm

IV Corner:
W 900mm x H 800mm x D 25mm (pair)

Custom: We can accommodate most sizes. All custom wall screens will incur additional charges.

- Pyroclassic Fires can be installed with a double skin half round flue shield, or for minimum clearances from combustable walls a correctly sized wall screen must be installed.
- Alternatively you can install a Pyroclassic Fire without wall screens if you choose to use a non-combustible wall board and install it as per the manufacture specifications. Usually this involves ensuring a 25mm ventilated air gap is maintained between the wall board and any timber framing, through the bottom, up between the combustable surface and the screening material and out of the top similar to our wall screens.
- In some instances the wall may not contain any combustable material and therefore will not require any screening.
- Pyroclassic wall screens now have an easy to install hanging system which requires just 2 fixing holes per screen.

WHY CHOOSE A PYRO?



OUR HISTORY - KEEPING KIWIS WARM FOR DECADES

The Pyroclassic Wood Fire was developed by scientists at the Department of Scientific and Industrial Research. They were tasked with creating the ultimate solution for burning wood in the most environmentally conscious way and so, after years of design and research, the Pyroclassic was born. For more than 40 years, this unique kiwi fire has led the global market in heating efficiency. Every fire that leaves our Hawke's Bay factory is hand built and upholds the impeccable standard we have become renowned for.

- Designed and manufactured in New Zealand
- Meets the world's toughest environmental standards
- Built with premium materials
- Available in over 100 custom colour variations
- Pyroclassic Fires is a carboNZero^{cert}™ certified organisation.



carboNZero

Pyroclassic Fires is the **first and only** wood fire manufacturer in the world to achieve carboNZero^{cert}™ accreditation.

In our 6th year of being a carboNZero^{cert}™ certified manufacturer, we have successfully halved our carbon emissions.



WHAT IS A ULEB (ULTRA LOW EMISSION BURNER)

- Ultra Low Emission Burners have been developed to meet some of the toughest real world emissions testing criteria on the planet.
- They are the latest in wood burning design and technology, ensuring consumers can continue to enjoy all the benefits of a wood fire without risking any harm to the environment.
- That's why we made sure that both of our fires were amongst the first single chamber wood burners to ever pass this strict new standard.



Proudly distributed by Pivot Stove & Heating through an approved reseller network. For more information, current product updates, or to find your closest reseller visit pivotstove.com.au

Visit www.pyroclassic.com.au for further information

DEALERS STAMP



PYROCLASSIC FIRES

The clean, **colourful** and ultra efficient way to heat your home.



PYROCLASSIC IV & MINI



MAKE YOUR HOME WARMER & DRIER WITH A PYROCLASSIC

Too many New Zealand homes are damp and unhealthy - so we created a ULEB wood fire with a genuine overnight burn to dry your home, because a drier home is a warmer, healthier home.

PYRO IV THE ORIGINAL PYROCLASSIC

- Ultra Low Emission Burner
- Suitable for homes 100m² - 200+m²*
- Available with a 3.7kW high output wetback
- New Zealand's only clean air approved wood fire to burn overnight as per manufacturers operational instructions
- Very low 1.1kg per hour fuel consumption rate
- Genuine heavy duty cooktop with optional oven
- Dimensions: 455mm (W) x 625mm (H) x 645mm (L)

PYRO MINI SMALL & PERFECTLY FORMED

- Ultra Low Emission Burner
- Perfect for homes less than 140m²*
- Available with a 1.5kW wetback booster
- Clean air approved low emission burner (0.3g/kg)
- Very low 0.9kg per hour fuel consumption rate
- Genuine heavy duty cooktop
- Dimensions: 455mm (W) x 625mm (H) x 452mm (L)

*depending on house type

*depending on house type



The Pyroclassic IV has been tested to the following standards: AS/NZS4012:1999 • AS/NZS4013:1999 • AS/NZS4012:2014 • AS/NZS4013:2014 • AS/NZS2918:2001 • EN13240:2001 • A2-2004 • ECAN authorisation LEB: 121121 (Dry), 121122 (Wet) 194576 (ULEB Dry)

The Pyroclassic Mini has been tested to the following standards: AS/NZS4012:2014 • AS/NZS2918:2001 • ECAN authorisation LEB: 174996 (Dry), 175008 (Wet) 193584 (ULEB Dry)

COLOUR OPTIONS

From bold and bright to classic neutrals, there are over 100 different colour combinations to choose from.



HOW A PYROCLASSIC WORKS



PYROCLASSIC: NOT YOUR CONVENTIONAL WOOD FIRE

Pyroclassic's ceramic chamber, the Heat Sustainer, stores more heat than any other conventional wood fire providing a slow and even release of its heat over an extended period.

THE SCIENCE

The steel in a conventional steel firebox absorbs heat rapidly but this also means that it releases that heat rapidly too. By comparison, ceramic absorbs and releases heat at a more moderated rate.

Weighing in at a whopping 45 kilograms, the Heat Sustainer is a formidable ceramic thermal mass that can absorb and store an abundance of heat that is slowly and evenly released over several hours.

THE BENEFITS

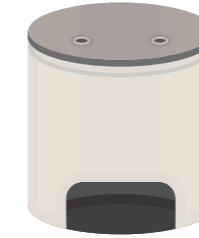
Reduce your heating costs - compared to a steel firebox, a hot ceramic chamber will burn less wood to maintain its temperature.

Genuine overnight burn - keep your home warmer for longer.

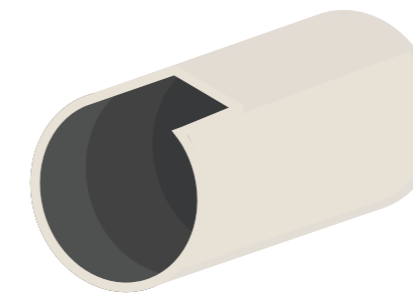
A healthier home - The prolonged release of heat from the Heat Sustainer (even after the actual fire has burned down) helps fight off one of the leading causes of dampness in homes.



PYRO IV



PYRO MINI

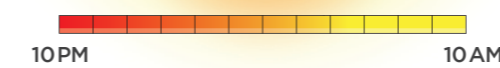


Up to 45kg

Over 30mm Thick



Conventional Steel Fire Box



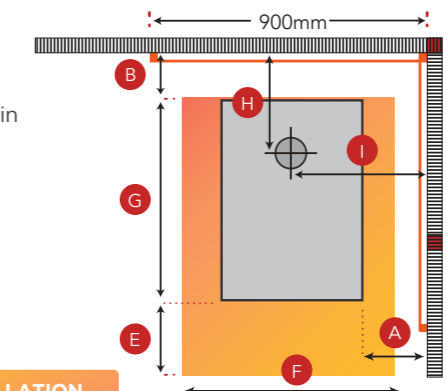
Pyroclassic Heat Sustainer

PYROCLASSIC TECHNICAL SPECIFICATIONS



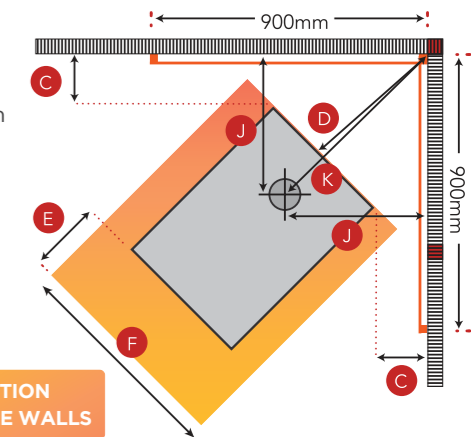
WALL CLEARANCES

Shown on optional Pyro IV Raised Hearth and Woodbin (H 250mm)



PARALLEL INSTALLATION WITH COMBUSTIBLE WALLS

Shown on optional Pyro IV Raised Hearth and Woodbin (H 250mm)



CORNER INSTALLATION WITH COMBUSTIBLE WALLS

PYROCLASSIC INSTALLED WITH WALL SCREENS Note: *Flue shield not required* * measurements pertain to E Calculator graph

	A	B	C	D	E*	F	G	H	I	J	K
IV	145mm	105mm	115mm	390mm	300mm	680mm	650mm	245mm	373mm	370mm	530mm
Mini	145mm	105mm	115mm	390mm	300mm	680mm	460mm	245mm	373mm	370mm	530mm

PYROCLASSIC INSTALLED DOUBLE FLUE SHIELD Note: *Wall screens not required*

	A	B	C	D	E*	F	G	H	I	J	K
IV	290mm	270mm	170mm	456mm	300mm	680mm	650mm	410mm	518mm	421mm	569mm
Mini	290mm	270mm	170mm	456mm	300mm	680mm	460mm	410mm	518mm	421mm	596mm

PYROCLASSIC INSTALLED WITH COMBUSTIBLE OR UNPROTECTED WALLS

	A	B	C	D	E*	F	G	H	I	J	K
IV	480mm	350mm	370mm	470mm	300mm	680mm	650mm	490mm	708mm	623mm	880mm
Mini	480mm	350mm	370mm	740mm	300mm	680mm	460mm	490mm	708mm	623mm	880mm

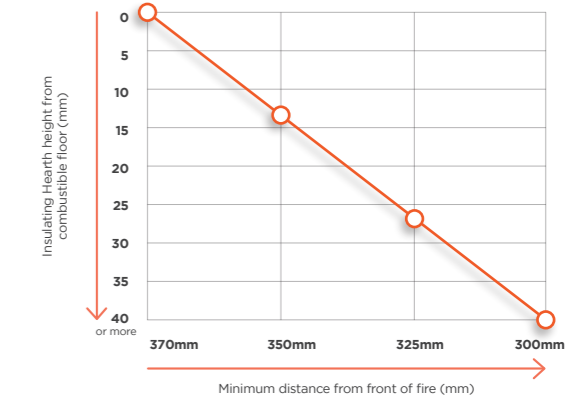
HEARTH REQUIREMENTS

If the insulating hearth is installed flush with the surrounding combustible floor, there must be a minimum distance of 370mm from the front of the fire to the front edge on the hearth. The minimum width of the insulating hearth must not be less than 680mm with the fire centred on each side of the hearth. If the hearth is raised, the floor protector area at the front can be reduced as per the 'E' Measurement Calculator, for example; the large Pyroclassic Raised Hearth & Woodbin is 250mm high, allowing for a reduction in the distance between the edge of the floor protector and the front of the fire from 370mm to 300mm.

As an alternative to our health and wood bin options, you can use a minimum of a 20mm+ thick non-combustible insulated board with a non-combustible top or 50mm+ thick masonry slab.

The small raised Woodbin options require a minimum of a 4mm thick layer of non-combustible material installed underneath to meet all the necessary clearances and the correct 'E' measurement.

* 'E' MEASUREMENT CALCULATOR



The minimum clearance in front of the fire is 300mm with a 40mm hearth height. So long as your hearth is 40mm deep or more, the length of your hearth will be 300mm from the front of your fire.

WARRANTY: The ceramic firebox in a Pyroclassic is warranted for 15 years against defective material or workmanship, provided the fire is used and installed according to the manufacturer's operating and installation instructions. All other items are warranted for 12 months. This warranty does not cover damage or failure caused by tampering, carelessness, abuse or misuse. NOTE: The warranty commences upon the date of purchase from an authorised Pyroclassic retailer and only applies to the original purchaser and initial installation, it cannot be transferred.