

Heat Shields & Hearths

Vitreous enamel



Solid Black



Off White Crackle

A range of vitreous enamel heat shields & hearths offer a unique functional finish that is striking and tactile.

Our luxurious vibrant glaze is heat proof, non-porous and stain resistant.



Black Splatter

Heat Shield

Vitreous enamel

The vitreous enamel panel features a dual skin that provides thermal protection and an effective convection system that distributes heat back into the room.

Using our rail mounted system included the heat shield is quick and easy to install and is beautifully finished in our luxurious glaze finish.

VLAZE heat shields comply to AS/NZs 2918:2018 / 3.1

To calculate the approved reduction the VLAZE heat shields offer:

Rear clearance x 0.2 = new clearance

(Example 900mm rear clearance x 0.2 = 180mm)

Size: 1050 x 1200mm



Hearths

The smooth gloss surface finish of a VLAZE Hearth create a clean, modern platform on which to stand your heater. An excellent alternative to glass or polished stone they can be used on their own or alongside our heat shields for a seamless floor to wall solution.

The hearth plates are available in 2 sizes to suit most stoves and boast a 12mm depth.

1050 x 1050mm

1200 x 1200mm

VLAZE

VITREOUS ENAMEL WALL MOUNTED HEATSHIELDS

INSTALLATION

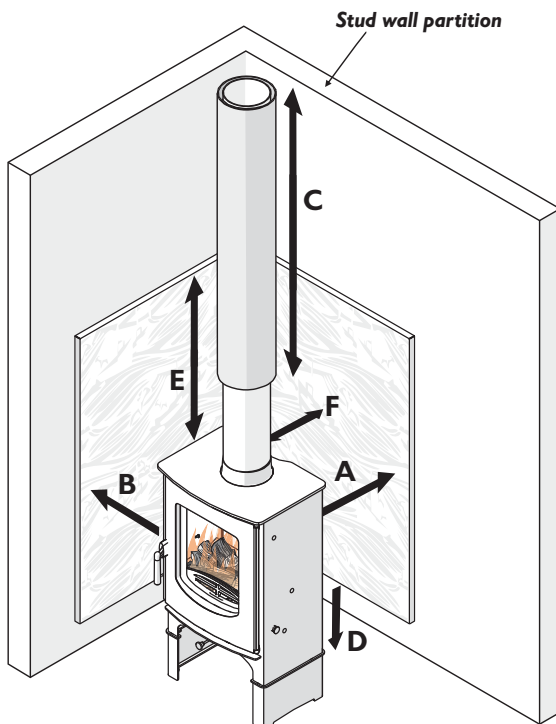
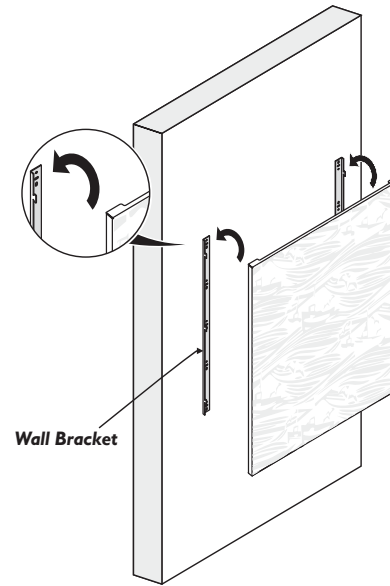
1. Screw wall brackets to the wall. See relevant drawing for setting out dimensions on the reverse page. These are given to the outside edge of the bracket.
2. Ensure the brackets are level and in line with each other, use slots for adjustment.
3. Holding the heat shield at the edges lift and drop onto the wall brackets. Ensure that the panel is the correct way up with the bottom of the panel having a greater gap.
4. Check the heat shield is seated correctly onto the wall brackets.

CLEANING AND HANDLING

Enamel surfaces must be treated as glass, with care and attention.

To clean enamel surfaces simply wipe over with a dry cloth or soft brush. Abrasive pads and scouring cleaners must not be used as these will damage the finish. Care should be taken not to knock the enamel with hard objects as it will chip.

Heat Shield Installation



SAFE DISTANCES

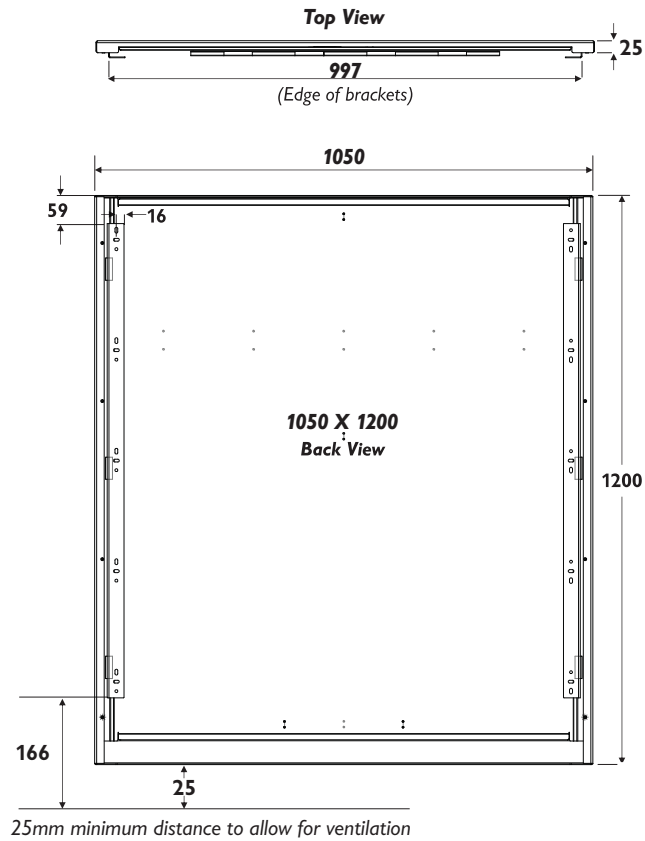
- A** VLAZE heat shields comply to AS/NZs 2918: 2018 - Table 3.1 : two spaced layers of continuous material ; factor 0.2
To calculate the approved reduction the VLAZE heat shields offer:
Rear clearance x 0.2 = new clearance
(Example 900mm rear clearance x 0.2 = 180mm)
- B** Heat shield must extend a minimum of 150mm each side of the appliance.
- C** Minimum of 425mm distance from start of chimney to ceiling.
- D** Minimum air gap of 25mm from bottom of hearth.
- E** Minimum of 300mm from top of the appliance to the top of the heatshield.
- F** Distance from uninsulated flue pipe to wall: 1.5 X diameter of the flue pipe.

rev. 1. 07/20

VLAZE

VITREOUS ENAMEL WALL MOUNTED HEATSHIELDS

HEAT SHIELD DIMENSIONS



DISTRIBUTED BY:

est. 1876
PIVOT
stove & heating

120 VICTORIA STREET
NTH GEELONG VIC
PIVOTSTOVE.COM.AU
1300 474 868 / 1300 4 PIVOT