

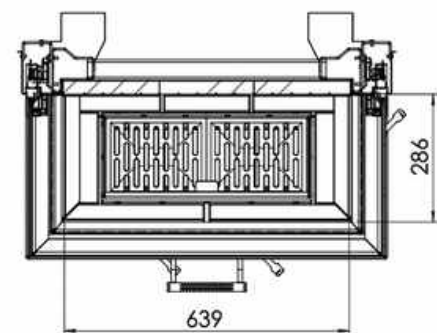
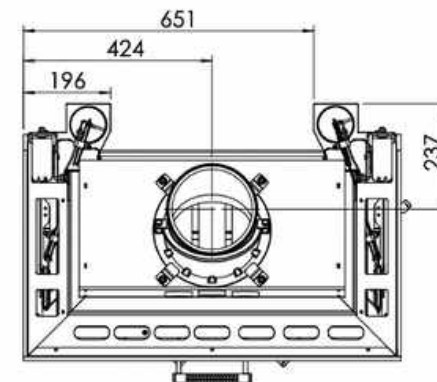
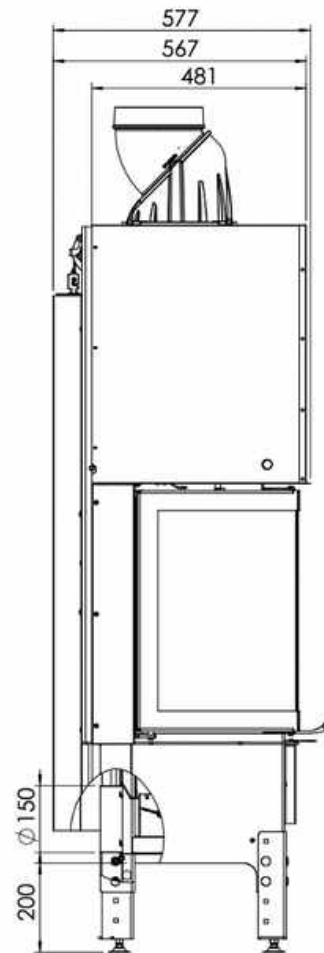
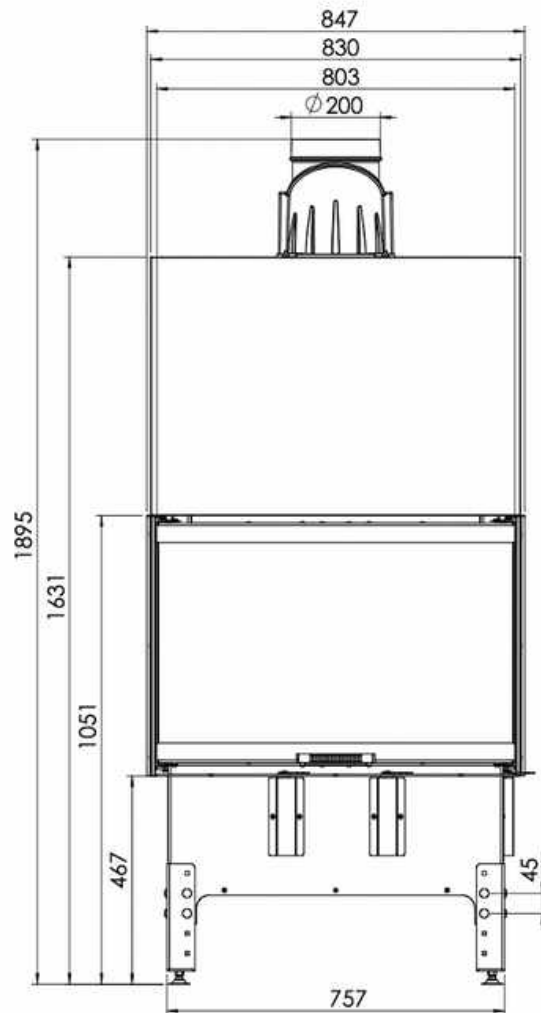
HESTIA BY

PAUL AGNEW | DESIGNS



Hestia 1000 Bay Guillotine

Hestia 1000 Bay Guillotine



Door Size (mm)	830 x 584
Flue Diameter (mm)	200
Weight (Kg)	324



359-361 Swan St, Richmond VIC 3121 | 148-150 Cochranes Rd, Moorabbin VIC 3189

www.livingfire.com.au | info@livingfire.com.au