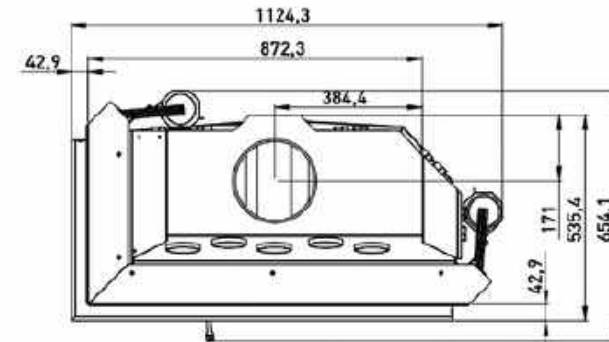
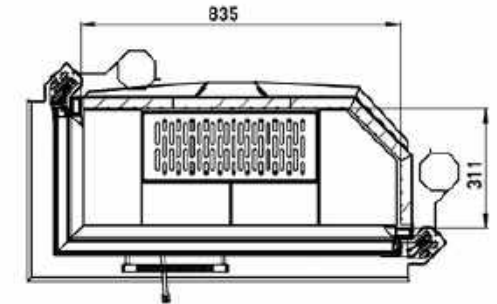
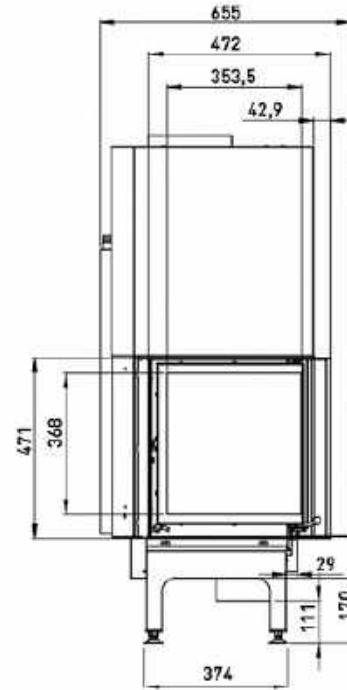
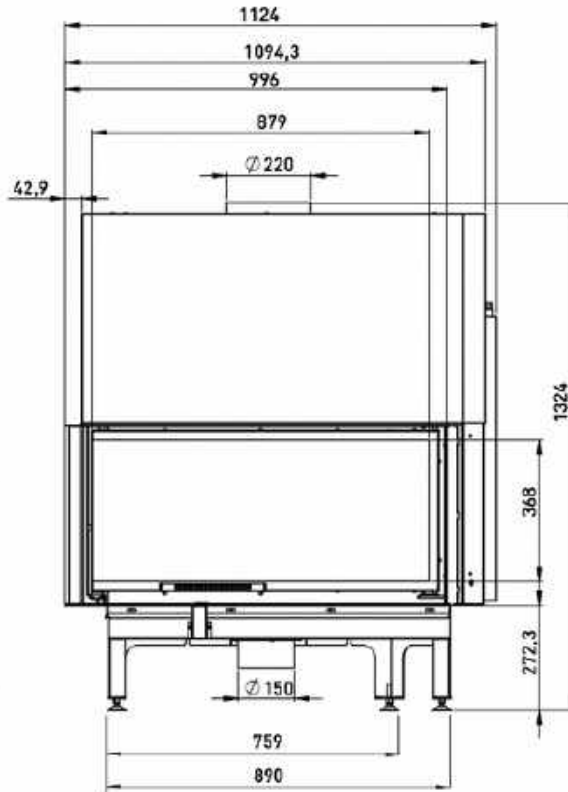


**HESTIA BY**  
PAUL AGNEW | DESIGNS



**Hestia 1000 Guillotine Left**

# Hestia 1000 Guillotine Left



<b>Door Size (mm)</b>	<b>996 x 471</b>
<b>Flue Diameter (mm)</b>	<b>220</b>
<b>Weight (Kg)</b>	<b>275</b>



359-361 Swan St, Richmond VIC 3121 | 148-150 Cochranes Rd, Moorabbin VIC 3189

[www.livingfire.com.au](http://www.livingfire.com.au) | [info@livingfire.com.au](mailto:info@livingfire.com.au)