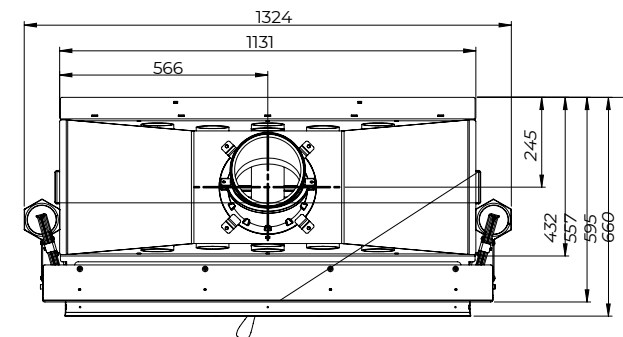
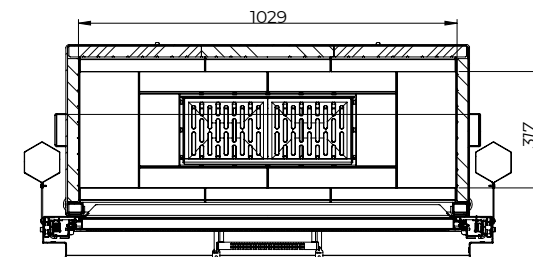
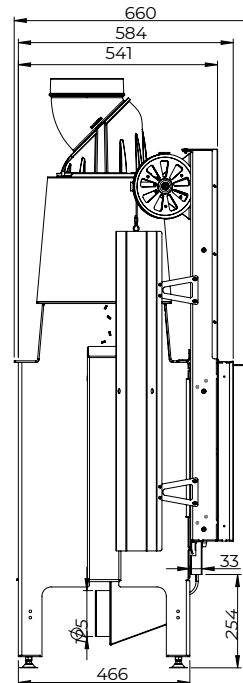
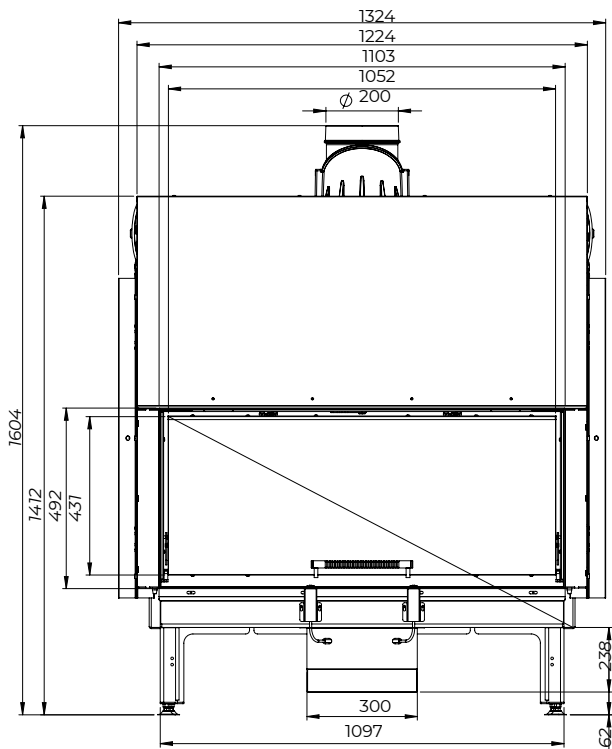




Hestia 1200 Guillotine Glass Fronted

Hestia 1200 Guillotine Glass Fronted



Door Size (mm)	1103 x 492
Flue Diameter (mm)	200
Weight (Kg)	409



359-361 Swan St, Richmond VIC 3121 | 148-150 Cochranes Rd, Moorabbin VIC 3189

www.livingfire.com.au | info@livingfire.com.au