

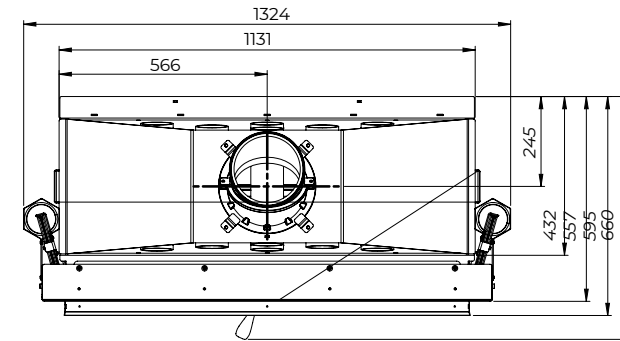
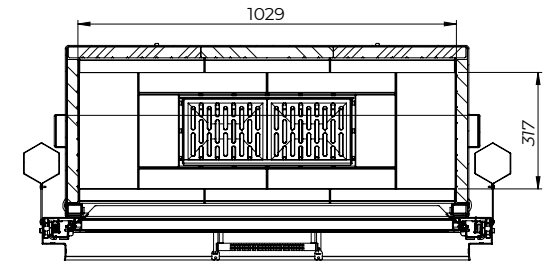
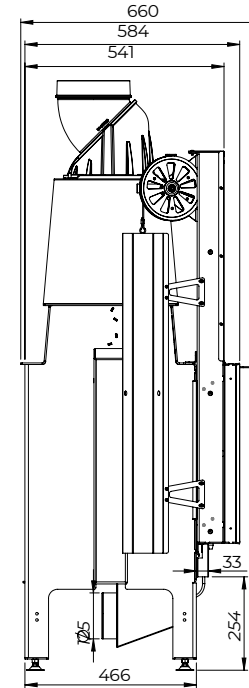
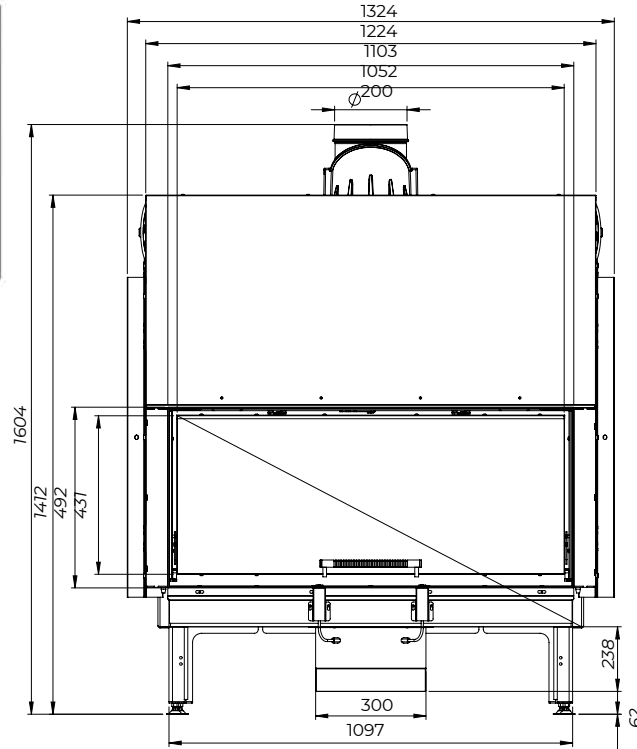
**HESTIA BY**

**PAUL AGNEW** | DESIGNS



**Hestia 1200 Guillotine Tunnel**

# Hestia 1200 Guillotine Tunnel



|                           |                   |
|---------------------------|-------------------|
| <b>Door Size (mm)</b>     | <b>1103 x 492</b> |
| <b>Flue Diameter (mm)</b> | <b>200</b>        |
| <b>Weight (Kg)</b>        | <b>395</b>        |



359-361 Swan St, Richmond VIC 3121 | 148-150 Cochranes Rd, Moorabbin VIC 3189

[www.livingfire.com.au](http://www.livingfire.com.au) | [info@livingfire.com.au](mailto:info@livingfire.com.au)