

HAVEN | charnwood



Classic Style, Modern Cooking.

The Haven by Charnwood is a compact, beautifully crafted wood-burning stove designed to bring warmth, charm, and versatility to any space. Featuring durable cast iron and steel construction, it delivers exceptional heat retention and even distribution, creating a cozy atmosphere in your home or retreat. With a spacious hot plate and integrated oven, the Haven is perfect for simple and effective cooking, adding a practical touch to its timeless design.

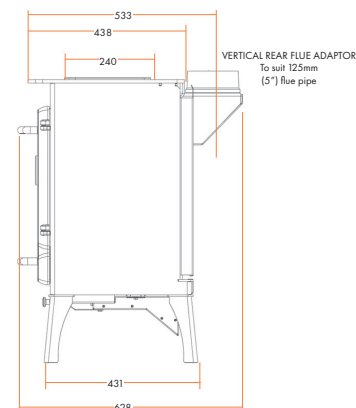
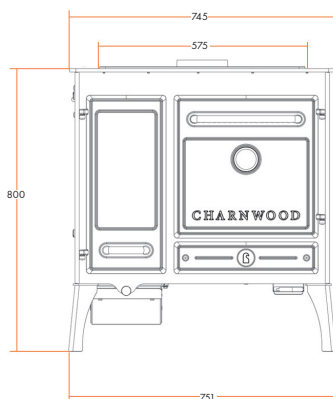
Its large glass door provides a captivating view of the flames, making it a welcoming focal point in any room. Beyond its functionality, the Haven serves as a statement piece, embodying the perfect balance of form and function. Whether you're looking to heat your space or enhance it with a versatile and stylish appliance, the Haven by Charnwood offers a sustainable and elegant solution.



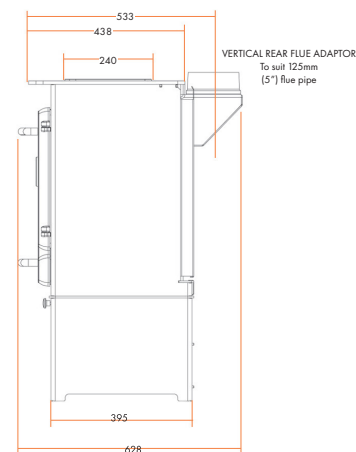
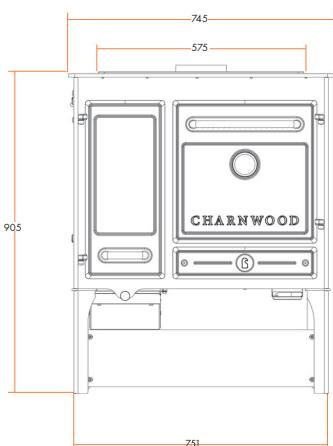
**Watch our
Haven video**

Dimensions

On legs



On store

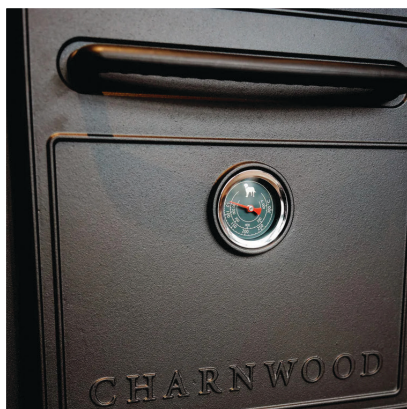


Hot plate



The large hot plate accommodates various pot and pan sizes, with a 150° temperature variation.

Oven



29-litre stainless steel lined oven with a cast iron oven door.

Cool to touch handle



Cool to touch handle ensuring safe and easy use.



Stove Dimensions

Height: 800mm | Width: 751mm | Depth: 628mm

Oven Dimensions

Height: 315mm | Width: 307mm | Depth: 295mm

Clearance To Combustible

Rear: 90mm | Side: 325mm | Corner: 175mm

Flue Size

Diameter: 125mm / 5" | Min Flue Height: 4.5m

Efficiency

Average: 73% | Maximum: 80%

Emissions

0.6g

Weight

Legs: 152kg | Store Stand: 165kg

Rated Output

150m²+

Included Heat Guard

Clip-on heat protector
for the firebox, for
when you're cooking.



Scan here for
more info.



Where to buy



pivotstove.com.au

charnwood 

Got a question for us about Charnwood?
Get in touch with your closest reseller.