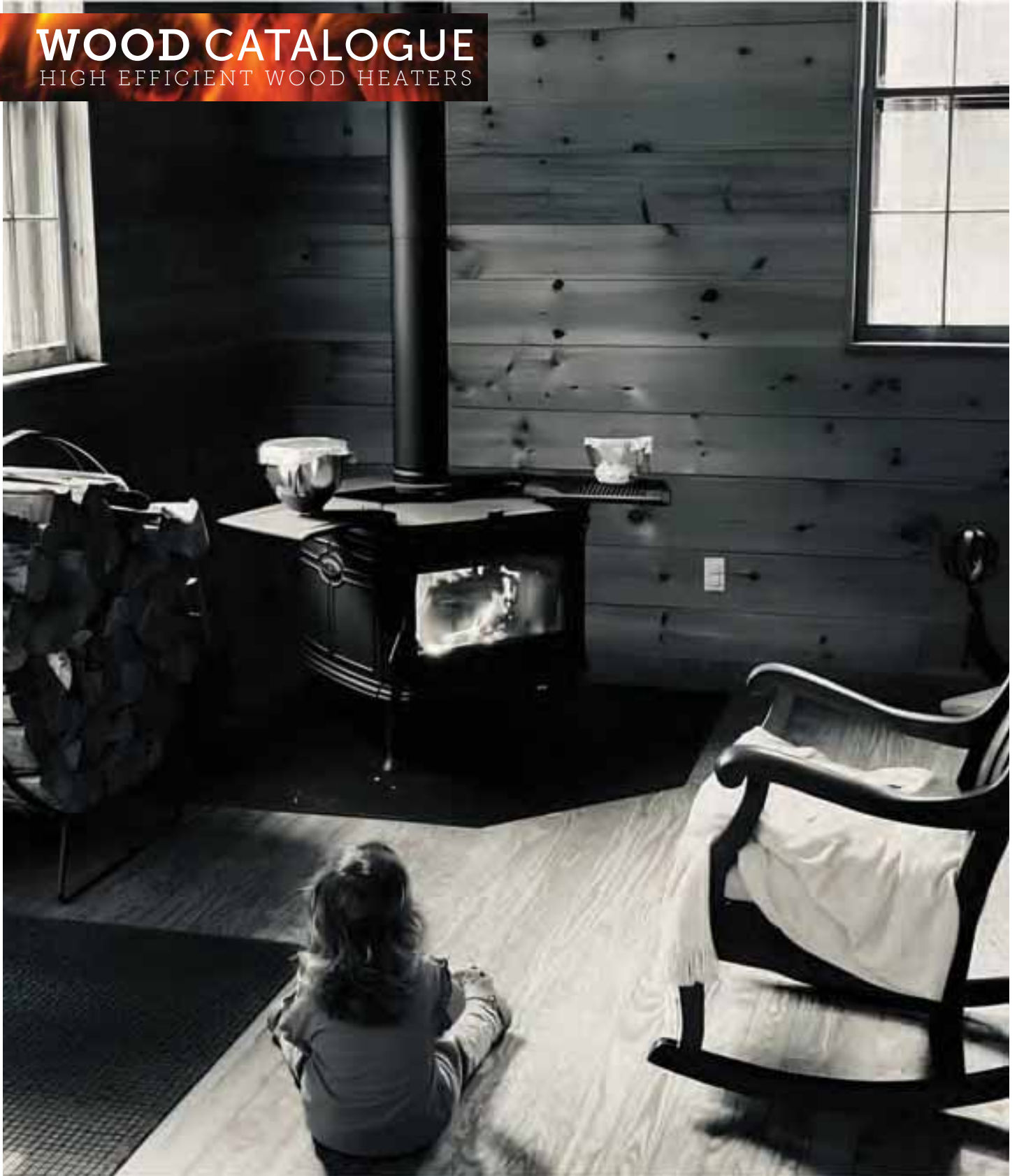


CANADA'S FINEST STOVES

WOOD CATALOGUE

HIGH EFFICIENT WOOD HEATERS



WHY CHOOSE PACIFIC ENERGY

WOOD HEATERS MADE TO PERFORM

1 SINGLE LEVER AIR CONTROL

It's never been simpler to achieve a clean, efficient flame. With the largest single, easy-to-operate air control lever, air adjustment and total control of your fire is easy with Pacific Energy.

2 EBT EXTENDED BURN TIME TECHNOLOGY

Automatic draught control is now here, with the Extended Burn Time, or EBT2. With two-storey homes and cathedral ceilings, the high flue can pull too much causing your fire to burn too fast. The EBT2 solves this common problem by allowing your Pacific Energy heater to automatically regulate the draught, giving you the perfect fire no matter the flue height.

3 SELF SEALING ASH DUMP

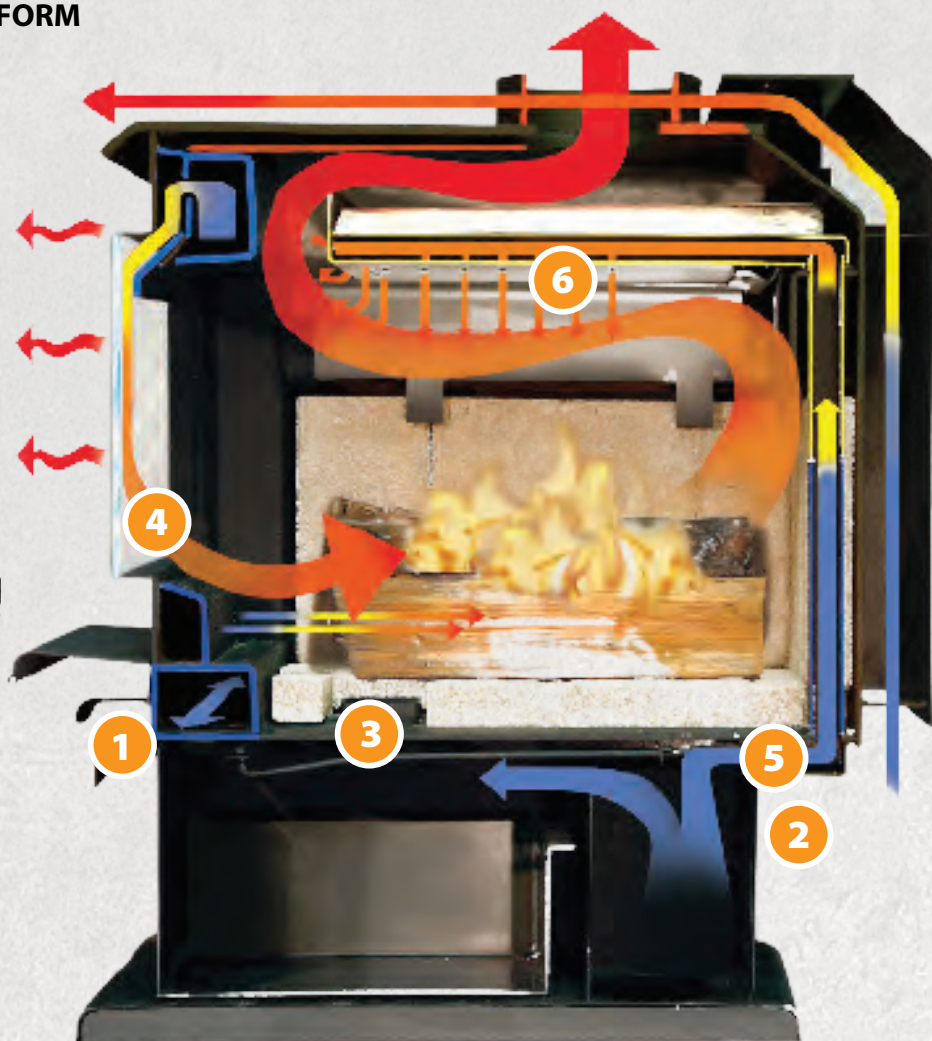
Our self-sealing ash dump, with its spring-loaded door provides a time saving, hassle-free ash removal solution that, frankly, has yet to be equaled. Serious wood burners utilise ash removal systems.

Many stoves simply have a removable cover over their ash removal opening inside the firebox. Pacific Energy's machined steel, spring loaded ash removal system is opened from outside the heater and closes automatically for safety and convenience when you're done.

4 AIR WASH

Soot-covered fireplace glass? Not likely with Pacific Energy heaters. Over 30 years ago, we pioneered the first effective air-wash manifold system, a design that flows preheated air to the glass surface to keep it clean.

Over the years we have continued to refine our airwash design: it now creates a high-pressure zone in the center and forces air to flow from above and across the glass.




5 OUTSIDE AIR

5+ stars High efficient homes are so air tight, that even an exhaust fan can turn your home negative pressured.

Negative house pressure is a common issue that can cause wood-burning appliances to smoke. This is probably the least understood house issue, and one that can be easily corrected. Pacific Energy has an optional fresh air intake kit making it easy to run a duct outside for fresh air into your wood heater. Adding a fresh air intake is highly recommended for new homes or for homes with people who might be sensitive to particles in the air.

If you have your heater installed on an external wall, the duct can go straight out the back. If you have your heater installed on an internal wall, you can run the duct inside the wall cavity, through the roof to outside.



6  **BAFFLE SYSTEM**

Made from stunning 304 grade stainless steel, the Pacific Energy baffle is at the front of the pack when it comes to clean burning. By re-igniting the smoke particles present in the firebox, the baffle reduces emissions and giving you that epic trademark Pacific Energy afterburn. More flame means more heat, and less smoke means cleaner burning.

Every element of the Pacific Energy baffle has been meticulously thought out to optimize performance and quality. From the quality of the seam-welded steel, to the precisely formed hollow chambers, which allow secondary air to continuously pass through. Pacific Energy's is the only baffle that is guaranteed for 10 years*

SEE THE PACIFIC ENERGY **DIFFERENCE**



Baffle Video



Efficiency Video



Emissions Video



Technology Video

BACKED BY THE BEST WARRANTY

Pacific Energy extends the following warranty coverage to the original registered purchaser of the product:

10 Year Coverage

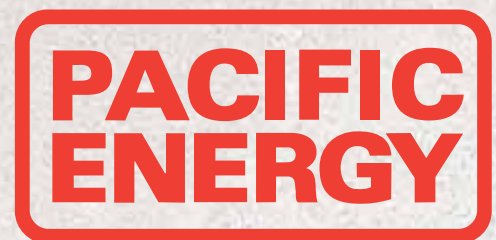
10 year coverage is extended to the following components (parts only)
Porcelain finish, glass (glass for thermal breakage only, not impact), plating, firebox and baffle.

3 Year Comprehensive

Pacific Energy will replace or repair any part found to be defective (parts and labor) for three years from the date of purchase.

This coverage includes electrical components (fans, speed controls and thermal switches).

Please see manual for full terms and conditions



CANADA'S FINEST STOVES

STEEL RANGE



VISTA | 180–200 m²



SUPER | 250–280 m²



SUMMIT | 280–300 m²

Vista LE **7**
 Super LE **9**
 Summit LE **11**

ALDERLEA RANGE



ALDERLEA T4 | 180–200 m²



ALDERLEA T5 | 250–280 m²



ALDERLEA T6 | 280–300 m²

Alderlea T4 **13**
 Alderlea T5 **15**
 Alderlea T6 **17**

NEO SERIES  **HIGH EFFICIENCY**



NEO 1.6 | 200–230 m²



NEO 2.5 | 280–300 m²



ALBERNI 2.5 | 280–300 m²

Neo 1.6 **19**
 Neo 2.5 **21**
 Alberni **23**

NEO INSERT  **HIGH EFFICIENCY**



NEO 1.6 | 200–230 m²



NEO 2.5 | 280–300 m²



FP25 | 280–300 m²

Neo 1.6 In **25**
 Neo 2.5 In **27**
 FP25 **29**

STEEL INSERT



VISTA INSERT | 180–200 m²

ALDERLEA INBUILT



ALDERLEA T5 INBUILT | 250–280 m²

Vista In **31**
 Alberni In **33**

STEEL RANGE VISTA LE2

THE NEXT GENERATION OF WOOD HEATERS



Leg model



Pedestal model

What is ACMS?

The Advanced Combustion Management System (ACMS) is like cruise control for your wood heater. Using real-time temperature readings from the flue and firebox, the ACMS automatically adjusts airflows to optimize combustion.

Simply set your desired heat level with the air control, and the ACMS takes over, delivering consistent performance and maximum efficiency.

Heat Output

Avg Efficiency

Max Efficiency

Emissions

Burn Time

Log Size (max)

Weight

Manual

220+m²

69%

76%

0.97gm/kg

12 hours

400mm

125kg

ACMS

220+m²

75%

83%

0.6gm/kg

16 hours

400mm

127kg

STEEL RANGE VISTA LE2

THE NEXT GENERATION OF WOOD HEATERS

Designed for exceptional performance and efficiency, the Vista LE2 is perfect for those who demand more from their wood heater. Available in its standard configuration or with the optional ACMS (Advanced Combustion Management System) for enhanced performance.

Vista LE2 (Manual)

Efficiency: 69%

Emissions: 0.97gm/kg

Burn Time: 10 - 12 hours

Vista LE2 Smart Heater (with ACMS)

Upgrade your Vista LE2 with the optional ACMS, an advanced electronic thermostat system. The ACMS continually monitors and adjusts your fire's primary and secondary air intake to ensure cleaner, longer, and more efficient burns.

Benefits of Adding ACMS:

Improved Efficiency: Boosts efficiency from 69% to 75%, saving up to 1 ton of wood annually.

Emissions: 0.6gm/kg

Extended Burn Time: Increases burn duration to an impressive 15+ hours.

STANDARD

Steel Firebox with 8mm thick steel Cook Top: 10 year warranty

304 grade Stainless Steel Baffle: 10 year warranty

Cast Iron Door: With roller door handle for ease of closing

Deep Firebox: Takes 450mm long wood

True Slow Combustion: Offering long burn time

EBT: Automatic draft breaker, perfect for homes with excess flue

Clean Glass Tech: Turbulent air wash for cleaner glass

Direct Air: Bellow air direct into coals for fast lighting

Fully fire bricked lined

Leveling legs

ADD-ONS



+ Outside Air Adapter: Perfect for new homes



2 Speed Fan: Thermostatically Controlled



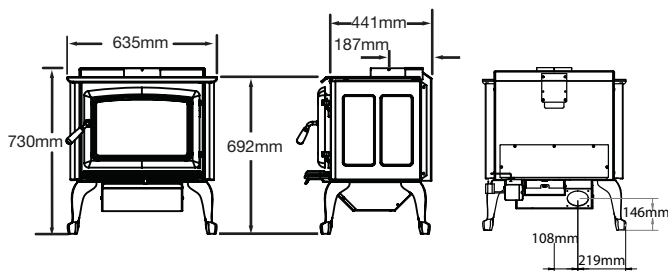
Ash System: Self Sealing & pull out ashtray



ACMS: Advanced Combustion Management System

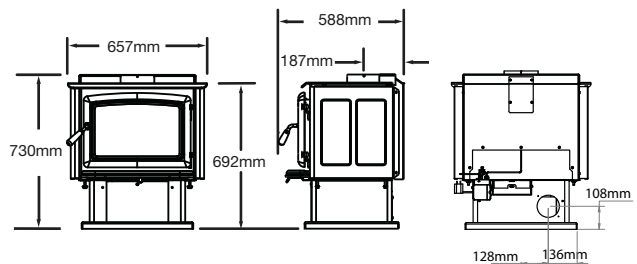
DIMENSIONS

Leg model



Optional outside air

Pedestal model

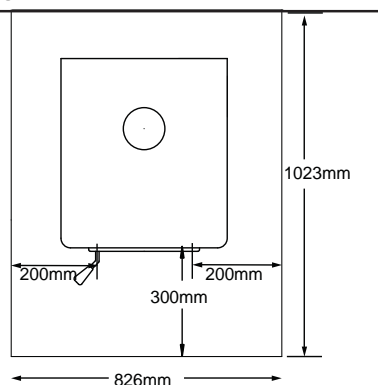


Optional outside air

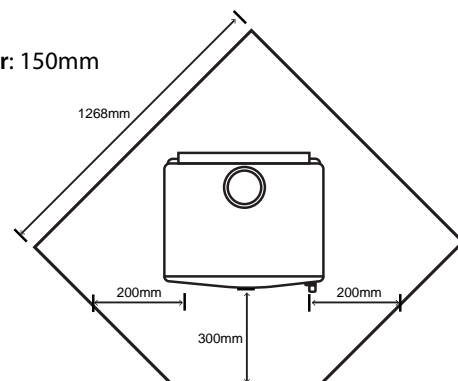
HEARTH & CLEARANCES

Rear: 100mm

Side: 250mm



Corner: 150mm



STEEL RANGE SUPER LE

HIGH EFFICIENT WOOD HEATERS



Heat Output	250–280m²
Avg Efficiency	67%
Max Efficiency	73%
Emissions	0.7 gm/kg
Burn Time	12-15 hours
Log Size (max)	450mm
Weight	161kg

STEEL RANGE SUPER LE

HIGH EFFICIENT WOOD HEATERS

The Super LE (Low Emission) may offer the traditional looks of a classic designed wood heater, but inside it's one of the most modern clean burning heaters.

It's all stainless baffle re-ignites the smoke to not only give you an amazing looking flame, but also produces less smoke and more heat.

The solid 8mm steel cook top is perfect for cooking, or having the kettle hot and ready all day long.

The massive deep firebox takes up to 450mm long pieces of wood, giving you a true slow combustion overnight burn.

Perfect for the medium to larger home, the Super LE will heat 230+m2 homes



Leg model



Pedestal model

STANDARD

- Steel Firebox with 8mm thick steel Cook Top: 10 year warranty
- 304 grade Stainless Steel Baffle: 10 year warranty
- Cast Iron Door: With roller door handle for ease of closing
- Deep Firebox: Takes 450mm long wood
- True Slow Combustion: Offering overnight burn

- EBT: Automatic draft breaker, perfect for homes with excess flue
- Clean Glass Tech: Turbulent air wash for cleaner glass
- Direct Air: Bellow air direct into coals for fast lighting
- Fully fire bricked lined
- Leveling legs

ADD-ONS



+ Outside Air Adapter: Perfect for new homes



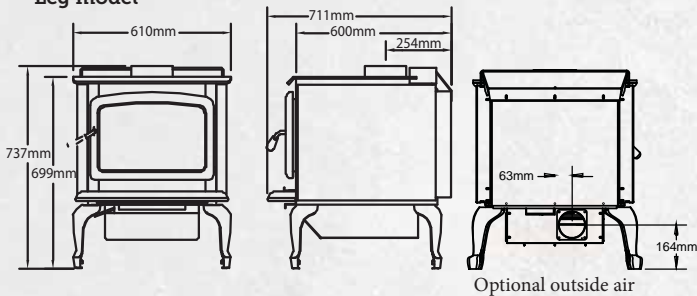
Ash System: Self Sealing & pull out ashtray



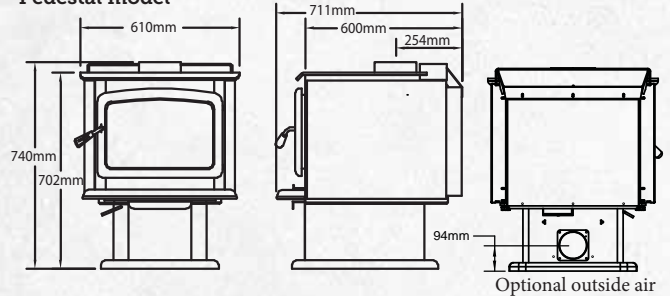
2 Speed Fan: Thermostatically Controlled

DIMENSIONS

Leg model

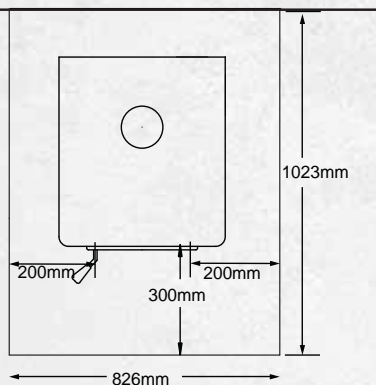


Pedestal model

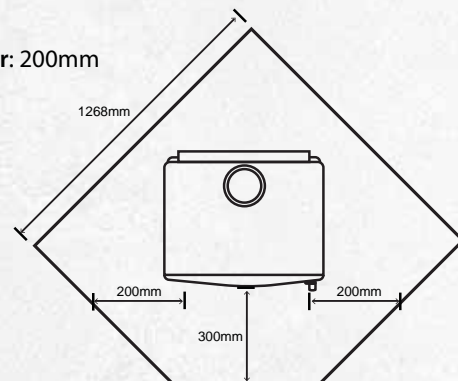


HEARTH & CLEARANCES

Rear: 100mm
Side: 375mm



Corner: 200mm



STEEL RANGE SUMMIT LE

HIGH EFFICIENT WOOD HEATERS



Heat Output	280–300m²
Avg Efficiency	65%
Max Efficiency	67%
Emissions	0.4 gm/kg
Burn Time	10-14 hours
Log Size (max)	450mm
Weight	197kg

STEEL RANGE SUMMIT LE

HIGH EFFICIENT WOOD HEATERS

The largest heater in the range, the Summit LE (Low Emission) is built for performance.

The extra wide firebox, will take up to 450mm long wood. A true slow combustion wood heater, it will comfortably heat for 12+ hours of continuous overnight burn.

Packed with modern features, like outside air for passive homes, EBT flue draft breaker to regulate installations with extra flue, an all stainless steel baffle to re-burn smoke, this heater will not only heat the largest of homes (300+m2) but is designed to be one of the most efficient heaters in this size.



Leg model


Pedestal model

STANDARD

Steel Firebox with 8mm thick steel cook top: 10 year warranty
 304 grade stainless steel baffle: 10 year warranty
 Cast Iron Door: With roller door handle for ease of closing
 Extra Wide and Deep Firebox: Takes 450mm long wood
 True Slow Combustion: Offering overnight burn

EBT: Automatic draft breaker, perfect for homes with excess flue
 Clean Glass Tech: Turbulent air wash for cleaner glass
 Direct Air: Bellow air direct into coals for fast lighting
 Fully fire bricked lined
 Leveling legs

ADD-ONS

+  Outside Air Adapter: Perfect for new homes



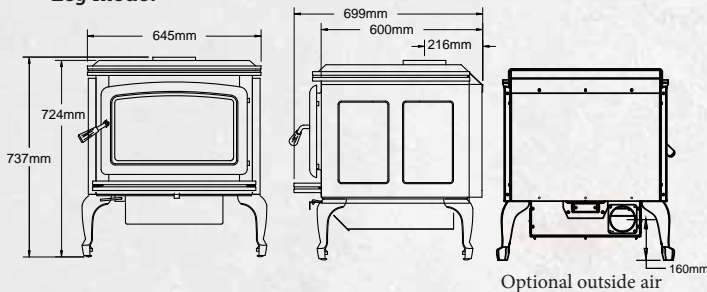
Ash System: Self Sealing & pull out ashtray



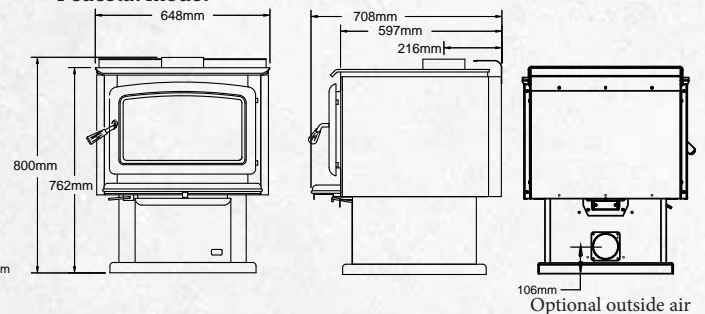
2 Speed Fan: Thermostatically Controlled

DIMENSIONS

Leg model

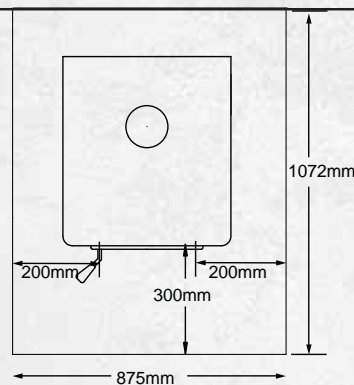


Pedestal model

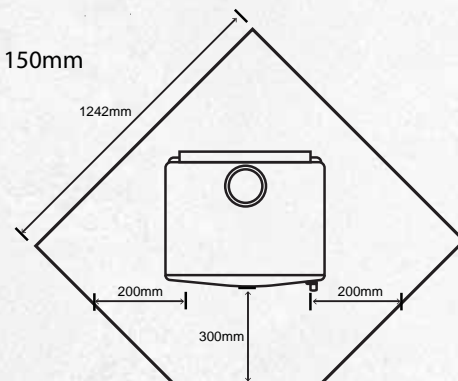


HEARTH & CLEARANCES

Rear: 175mm (with heat shield)
Rear: 100mm (with RSF™)
Side: 250mm



Corner: 150mm



ALDERLEA RANGE T4

THE NEXT GENERATION OF WOOD HEATERS



Metallic Black



Antique White

What is ACMS?

The Advanced Combustion Management System (ACMS) is like cruise control for your wood heater. Using real-time temperature readings from the flue and firebox, the ACMS automatically adjusts airflows to optimize combustion. Simply set your desired heat level with the air control, and the ACMS takes over, delivering consistent performance and maximum efficiency.

Heat Output

Heat Output	Manual 220+m²	ACMS 220+m²
Avg Efficiency	69%	75%
Max Efficiency	76%	83%
Emissions	0.97gm/kg	0.6gm/kg
Burn Time	12 hours	16 hours
Log Size (max)	400mm	400mm
Weight	125kg	127kg

ALDERLEA RANGE T4

THE NEXT GENERATION OF WOOD HEATERS

Designed with the classic cast finish, the Alderlea T4 LE2 is perfect for those who demand more from their wood heater.

Available in its standard configuration or with the optional ACMS (Advanced Combustion Management System) for enhanced performance.

Alderlea T4 LE2 Smart Heater (with ACMS)

Upgrade your Alderlea T4 LE2 with the optional ACMS, an advanced electronic thermostat system. The ACMS continually monitors and adjusts your fire's primary and secondary air intake to ensure cleaner, longer, and more efficient burns.

Alderlea T4 LE2 (Manual)

Efficiency: 69%

Emissions: 0.97gm/kg

Burn Time: 10-12 hours

Benefits of Adding ACMS:

Improved Efficiency: Boosts efficiency from 69% to 75%, saving up to 1 ton of wood annually.

Emissions: 0.6gm/kg


Extended Burn Time: Increases burn duration to an impressive 15+ hours.


STANDARD

- Floating Cast Iron Over Steel Firebox: 10 year warranty
- 304 Grade Stainless Steel Baffle: 10 year warranty
- Cast Iron Door: With roller door handle for ease of closing
- Deep Firebox: Takes 450mm long wood
- True Slow Combustion: Offering long burn time

- EBT: Automatic draft breaker, perfect for homes with excess flue
- Clean Glass Tech: Turbulent air wash for cleaner glass
- Direct Air: Bellow air direct into coals for fast lighting
- Fully fire bricked lined
- Open Swing Trivet Top: Perfect Cooktop
- Ash System: Self Sealing & pull out ashtray

ADD-ONS

+  Outside Air Adapter: Perfect for new homes

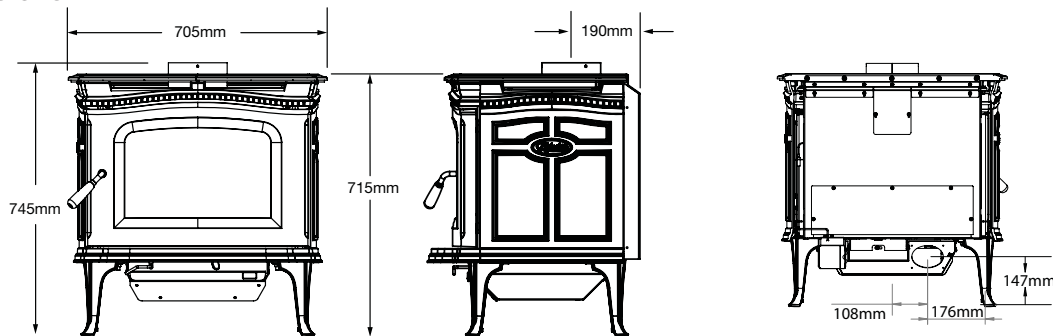
 2 Speed Fan: Thermostatically Controlled



Finish Options: Black or vitreous enamel Antique

ACMS: Advanced Combustion Management System
Extends burn time and optimises efficiency

DIMENSIONS

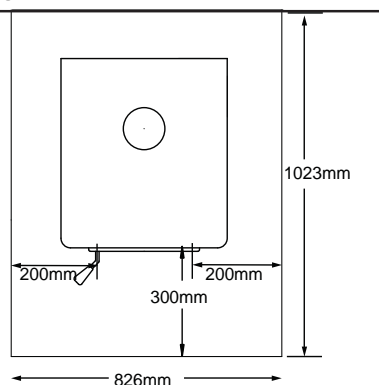


Optional outside air

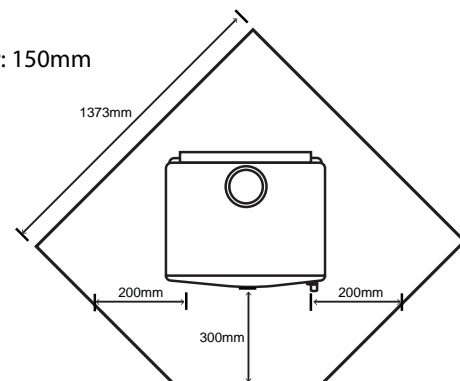
HEARTH & CLEARANCES

Rear: 100mm

Side: 250mm



Corner: 150mm



ALDERLEA RANGE T5

HIGH EFFICIENT WOOD HEATERS



Heat Output	250–280m²
Avg Efficiency	67%
Max Efficiency	73%
Emissions	0.7 gm/kg
Burn Time	12-15 hours
Log Size (max)	450mm
Weight	222kg

ALDERLEA RANGE T5

HIGH EFFICIENT WOOD HEATERS

The elegant Alderlea T5 combines the best of cast iron and steel wood heaters.

It offers radiant and convection heating with a concealed cooktop, and a huge glass window for a clean view of the flame. It is design approved for passive homes.

It's an easy-to-light, easy-to use, long-burning wood heater with old world charm and unmatched durability.

Behind its graceful facade is the most modern technically advanced wood heater boasting high efficiency, low emissions and extra long burn time.



Metallic Black

Antique White

STANDARD

- Floating Cast Iron Over Steel Firebox: 10 year warranty
- 304 Grade Stainless Steel Baffle: 10 year warranty
- Cast Iron Door: With roller door handle for ease of closing
- Deep Firebox: Takes 450mm long wood
- True Slow Combustion: Offering overnight burn

- EBT: Automatic draft breaker, perfect for homes with excess flue
- Clean Glass Tech: Turbulent air wash for cleaner glass
- Direct Air: Bellow air direct into coals for fast lighting
- Fully fire bricked lined
- Open Swing Trivet Top: Perfect Cooktop
- Ash System: Self Sealing & pull out ashtray

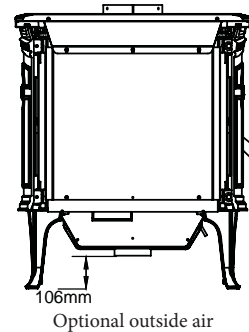
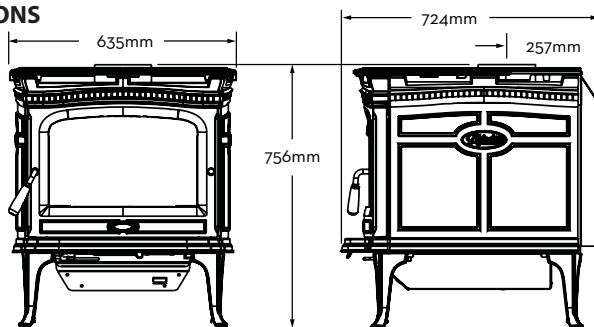
ADD-ONS

- + Outside Air Adapter: Perfect for new homes
- + 2 Speed Fan: Thermostatically Controlled



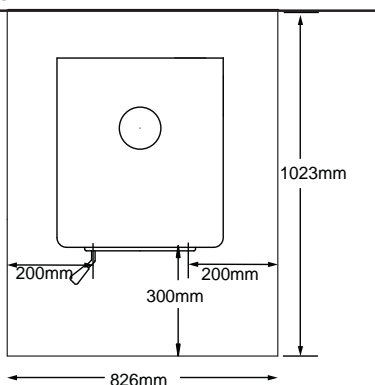
Finish Options: Black or vitreous enamel Antique White

DIMENSIONS

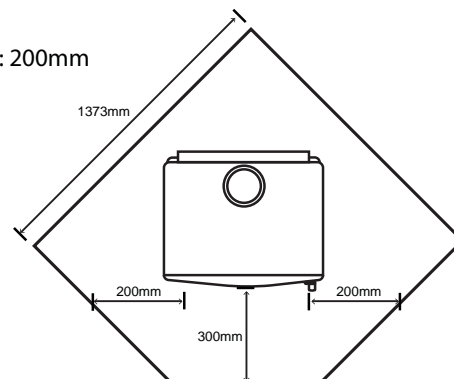


HEARTH & CLEARANCES

Rear: 100mm
Side: 375mm



Corner: 200mm



ALDERLEA RANGE

T6

HIGH EFFICIENT WOOD HEATERS



Heat Output	280–300m²
Avg Efficiency	65%
Max Efficiency	67%
Emissions	0.4 gm/kg
Burn Time	12-15 hours
Log Size (max)	450mm
Weight	254kg

ALDERLEA RANGE T6

HIGH EFFICIENT WOOD HEATERS

The largest in the Alderlea range, the T6 LE (Low Emission) is the solution for keeping large spaces warm and comfortable, even through long winter nights.

It's crafted for maximum heating capacity with Extended Burn Technology (EBT) for all-night burn times, and features a family-sized cooktop and a huge glass window.

Like all Pacific Energy wood heaters the T6 LE is engineered to perform, with an all stainless steel baffle that offers the most amazing afterburn of the smoke that not only reduces emissions, but gives you the most amazing looking fire.

Made in Canada for Canadian winters, the Alderlea T6 will be heating your home for decades.





STANDARD

- Floating Cast Iron Over Steel Firebox: 10 year warranty
- 304 Grade Stainless Steel Baffle: 10 year warranty
- Cast Iron Door: With roller door handle for ease of closing
- Deep Firebox: Takes 450mm long wood
- True Slow Combustion: Offering overnight burn

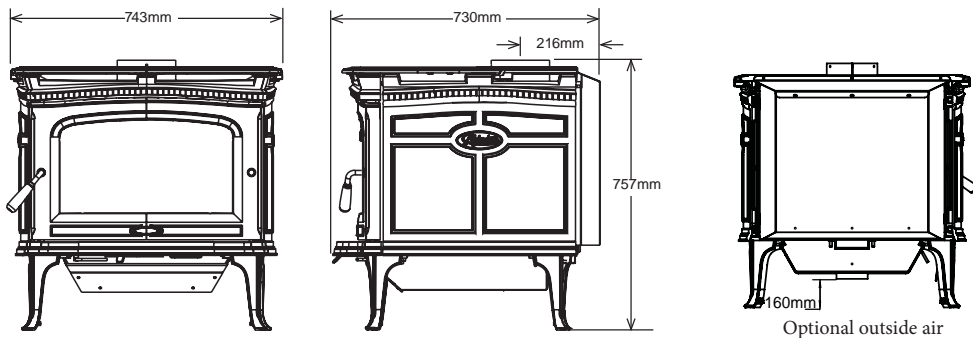
- EBT: Automatic draft breaker, perfect for homes with excess flue
- Clean Glass Tech: Turbulent air wash for cleaner glass
- Direct Air: Bellow air direct into coals for fast lighting
- Fully fire bricked lined
- Open Swing Trivet Top: Perfect Cooktop
- Ash System: Self Sealing & pull out ashtray

ADD-ONS

+  Outside Air Adapter: Perfect for new homes

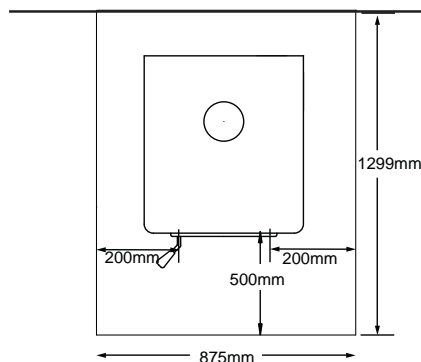
 2 Speed Fan: Thermostatically Controlled

DIMENSIONS

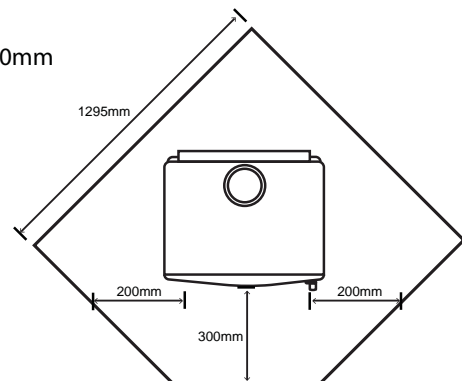


HEARTH & CLEARANCES

- Rear: 175mm (with heat shield)
- Rear: 100mm (with RSF™)
- Side: 250mm



Corner: 150mm



NEO RANGE
NEO 1.6
HIGH EFFICIENT WOOD HEATERS



Heat Output	200–230m²
Avg Efficiency	75%
Max Efficiency	80%
Emissions	0.7 gm/kg
Burn Time	12-15 +hours
Log Size (max)	400mm
Weight	154kg

NEO RANGE NEO 1.6

HIGH EFFICIENT WOOD HEATERS

The Neo 1.6 LE (Low Emission) is the next generation in high efficient wood heaters. Now with reduced lower emissions and high efficiency, the Neo 1.6 is perfect for high efficient homes.

With it's stylish lines and European-influenced design, the Neo is no standard wood heater.



With non-stoop loading, a large glass door and simplified air control, the Neo 1.6 is a practical wood heater with Pacific Energy's clean-burning technology that reduces emissions while maximizing burn length and fuel efficiency.

A true slow combustion and long overnight burn is designed to keep your home warmer for longer.

STANDARD


- Steel Firebox with 8mm thick steel Cook Top: 10 year warranty
- 304 grade Stainless Steel Baffle: 10 year warranty
- Cast Iron Door: With roller door handle for ease of closing
- Wide Firebox: Takes 400mm long wood
- True Slow Combustion: Offering overnight burn

ADD-ONS

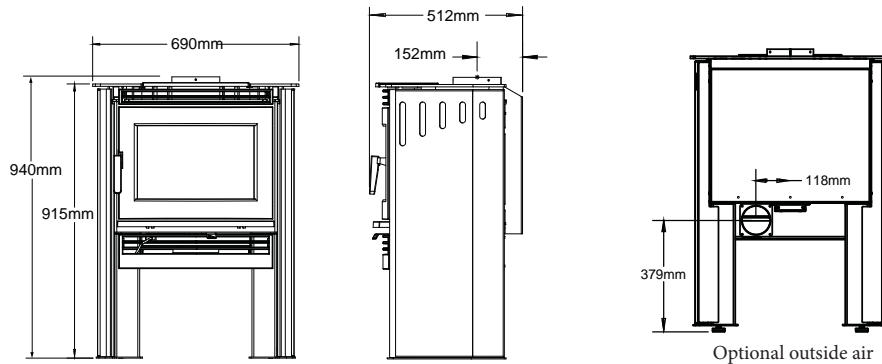
- +  Outside Air Adapter: Perfect for new homes
- +  2 Speed Fan: Thermostatically Controlled



- EBT: Automatic draft breaker, perfect for homes with excess flue
- Clean Glass Tech: Turbulent air wash for cleaner glass
- Direct Air: Bellow air direct into coals for fast lighting
- Fully fire bricked lined
- Leveling legs
- Ash System: Self Sealing & pull out ashtray

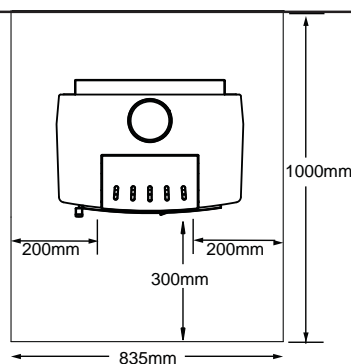
 Finish Options: Choose Metallic Black panels, or change to vitreous enamel Ivory, Red, Titanium or Black

DIMENSIONS

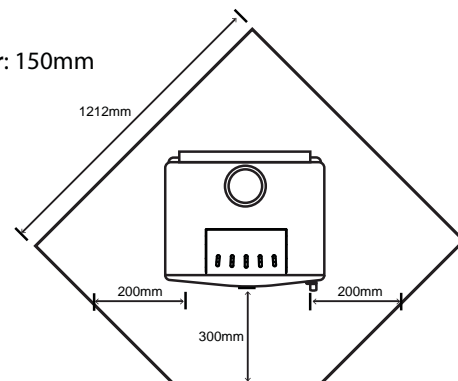


HEARTH & CLEARANCES

Rear: 100mm
Side: 250mm



Corner: 150mm



NEO RANGE
NEO 2.5
HIGH EFFICIENT WOOD HEATERS



Heat Output	280–300m²
Avg Efficiency	82%
Max Efficiency	89%
Emissions	1.0 gm/kg
Burn Time	12-15 hours
Log Size (max)	450mm
Weight	208kg

NEO RANGE NEO 2.5

HIGH EFFICIENT WOOD HEATERS

Rated as one of the most efficient wood heaters on the market at 89% efficiency (max), the Neo 2.5's outstanding performance will save you up to 2 tons of wood every year.

Neo 2.5 offers elegant, modern lines and a larger firebox for higher heat output.

With non-stoop loading, a large glass door and simplified air control, the Neo 2.5 is a practical wood heater with Pacific Energy's clean-burning technology that reduces emissions while maximizing burn length and fuel efficiency.

A true slow combustion, and long overnight burn is designed to keep your home warmer longer.

STANDARD

- Steel Firebox with 8mm thick steel Cook Top: 10 year warranty
- 304 grade Stainless Steel Baffle: 10 year warranty
- Cast Iron Door: With roller door handle for ease of closing
- Wide Firebox: Takes 400mm long wood
- True Slow Combustion: Offering overnight burn



Metallic Black



Enamel Black



Enamel Red



Enamel Titanium



Enamel White

- EBT: Automatic draft breaker, perfect for homes with excess flue
- Clean Glass Tech: Turbulent air wash for cleaner glass
- Direct Air: Bellow air direct into coals for fast lighting
- Fully fire bricked lined
- Leveling legs
- Ash System: Self Sealing & pull out ashtray

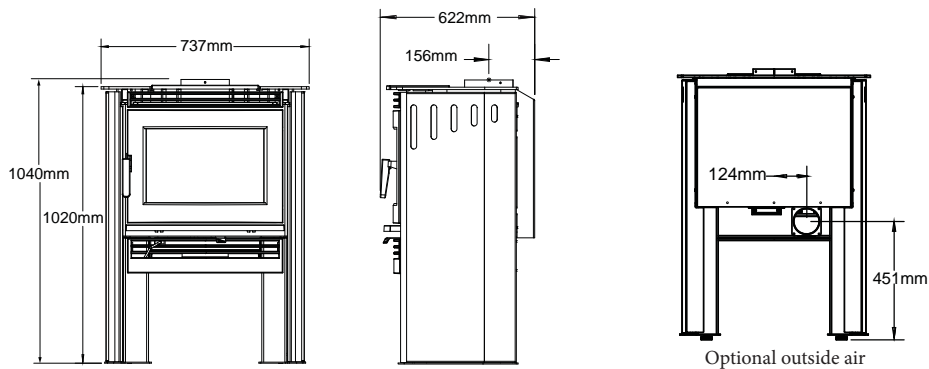
ADD-ONS

- + Outside Air Adapter: Perfect for new homes
- + 2 Speed Fan: Thermostatically Controlled



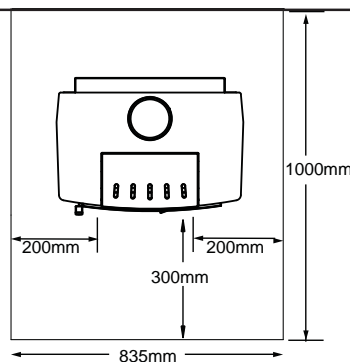
Finish Options: Choose Metallic Black panels, or change to vitreous enamel Ivory, Red, Titanium or Black

DIMENSIONS

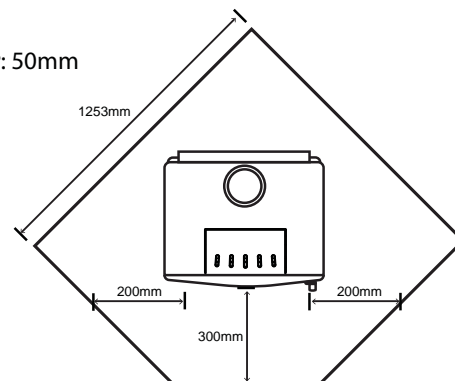


HEARTH & CLEARANCES

- Rear: 100mm (with heat shield)
- Rear: 175mm (with RSF™)
- Side: 300mm



Corner: 50mm



NEO RANGE
ALBERNI
HIGH EFFICIENT WOOD HEATERS



Heat Output	280–300m²
Avg Efficiency	82%
Max Efficiency	89%
Emissions	1.0 gm/kg
Burn Time	12-15 hours
Log Size (max)	450mm
Weight	154kg

NEO RANGE ALBERNI

HIGH EFFICIENT WOOD HEATERS

The Pacific Energy Alberni 2.5 LE (Low Emission) is the exact same heater as the Neo 2.5 LE, but with a modern twist.

Same amazing flames, same amazing overnight burn and the same amazing features, including a stainless steel baffle, a fully firebrick lined firebox, a convenient ash dump, and so much more!

Sleek legs on a modern body turns the Alberni into an amazing statement piece in your home.

With an impressive maximum efficiency of 89% and an average efficiency of 82%, this heater gives you more heat using less wood, saving you up to two tonnes of wood every season!





STANDARD

- Steel Firebox with 8mm thick steel Cook Top: 10 year warranty
- 304 grade Stainless Steel Baffle: 10 year warranty
- Cast Iron Door: With roller door handle for ease of closing
- Deep Firebox: Takes 400mm long wood
- True Slow Combustion: Offering overnight burn

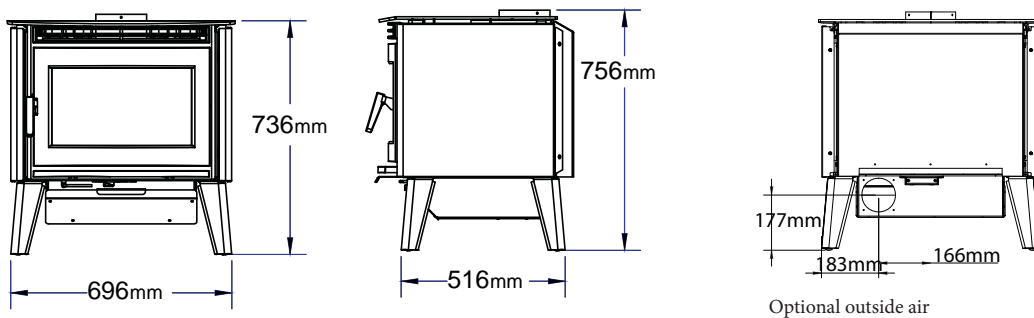
- EBT: Automatic draft breaker, perfect for homes with excess flue
- Clean Glass Tech: Turbulent air wash for cleaner glass
- Direct Air: Bellow air direct into coals for fast lighting
- Fully fire bricked lined
- Leveling legs
- Ash System: Self Sealing & pull out ashtray

ADD-ONS

+  Outside Air Adapter: Perfect for new homes

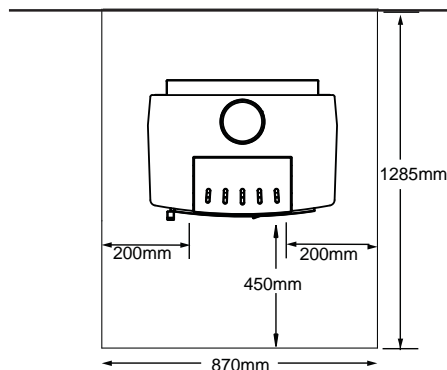
+  2 Speed Fan: Thermostatically Controlled

DIMENSIONS

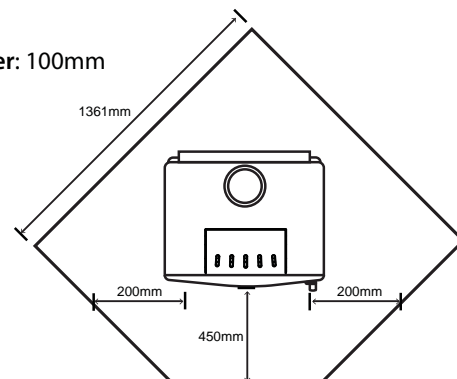


HEARTH & CLEARANCES

- Rear: 150mm (with heat shield)
- Rear: 175mm (with RSF™)
- Side: 400mm



Corner: 100mm



NEO RANGE
NEO 1.6 INSERT
HIGH EFFICIENT WOOD HEATERS



Heat Output	200–230m²
Avg Efficiency	67%
Max Efficiency	75%
Emissions	1.1 gm/kg
Burn Time	12-15 hours
Log Size (max)	450mm
Weight	129kg

NEO RANGE

NEO 1.6 INSERT

HIGH EFFICIENT WOOD HEATERS

The Neo 1.6 insert wood heater is the most efficient way to convert your open fireplace into a high efficient heating system.

Designed and built for the coldest homes, the Neo 1.6 insert offers an overnight fire to keep your home warm all night long.

Behind the fascia is one of the most modern technically modern wood heaters with EBT draft breaker for taller chimneys and an all stainless steel baffle that gives you the most amazing afterburn. The Neo 1.6 insert is more than just an ordinary wood heater.



Metallic Black

Stainless Steel

STANDARD

- Steel Firebox with 8mm thick steel: 10 year warranty
- 304 grade Stainless Steel Baffle: 10 year warranty
- Cast Iron Door: With roller door handle for ease of closing
- Wide Firebox: Takes 400mm long wood
- True Slow Combustion: Offering overnight burn

- EBT: Automatic draft breaker, perfect for homes with excess flue
- Clean Glass Tech: Turbulent air wash for cleaner glass
- Direct Air: Bellow air direct into coals for fast lighting
- Fully fire bricked lined
- 2 Fans: Automatically Controlled

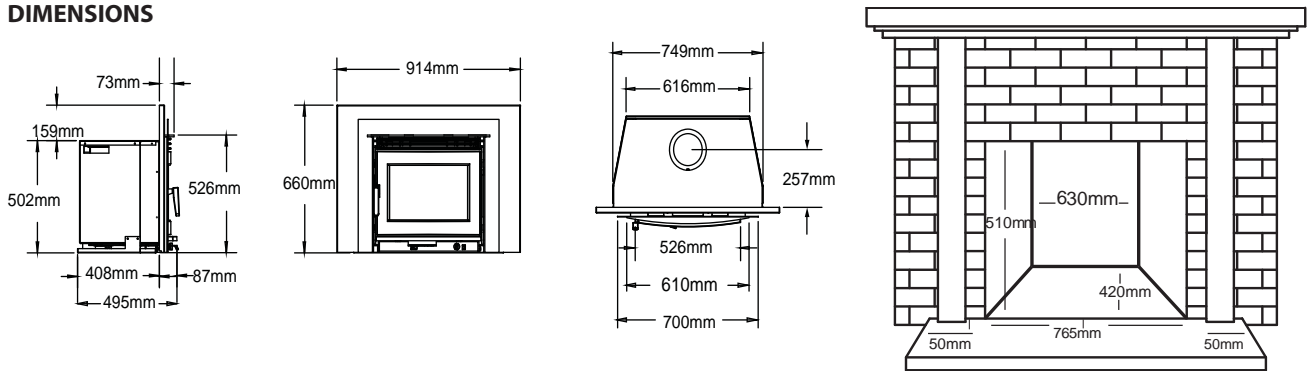
ADD-ONS

Deep Recess Extension: Add 75mm to the fascia depth



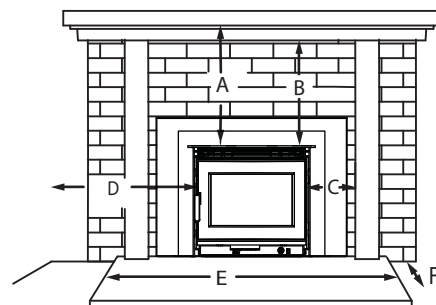
Finish Options: Choose Metallic Black or Stainless front trim

DIMENSIONS



MINIMUM CLEARANCE TO COMBUSTIBLES

A: Mantel	405mm	E: Hearth Width	872mm
B: Mantel Key (Measured From Top of Brow)	390mm	F: Hearth Depth (Measured from Front of Appliance Base)	500mm
C: Mantel Upright	250mm		
D: Adjacent Sidewall (Measured from Side of Door)	380mm		



NEO RANGE
NEO 2.5 INSERT
HIGH EFFICIENT WOOD HEATERS



Heat Output	280–300m²
Avg Efficiency	72%
Max Efficiency	75%
Emissions	1.0 gm/kg
Burn Time	10-14 hours
Log Size (max)	450mm
Weight	175kg

NEO RANGE NEO 2.5 INSERT

HIGH EFFICIENT WOOD HEATERS

The larger Neo 2.5 insert wood heater is the most efficient way to convert your open fireplace into a high efficient heating system, perfect for the largest of homes.

Designed and built for the coldest homes, the Neo 2.5 insert offers an overnight fire to keep your home warm all night long.

The 2 speed automatically controlled fan ensures your heater only blows hot air into your home.

Behind the fascia is one of the most modern technically modern wood heaters with EBT draft breaker for taller chimneys and an all stainless steel baffle that gives you the most amazing afterburn. The Neo 1.6 is more than just an ordinary wood heater.



Metallic Black

Stainless Steel

STANDARD

- Steel Firebox with 8mm thick steel: 10 year warranty
- 304 grade Stainless Steel Baffle: 10 year warranty
- Cast Iron Door: With roller door handle for ease of closing
- Wide Firebox: Takes 400mm long wood
- True Slow Combustion: Offering overnight burn

- EBT: Automatic draft breaker, perfect for homes with excess flue
- Clean Glass Tech: Turbulent air wash for cleaner glass
- Direct Air: Bellow air direct into coals for fast lighting
- Fully fire bricked lined
- 2 Fans: Automatically Controlled

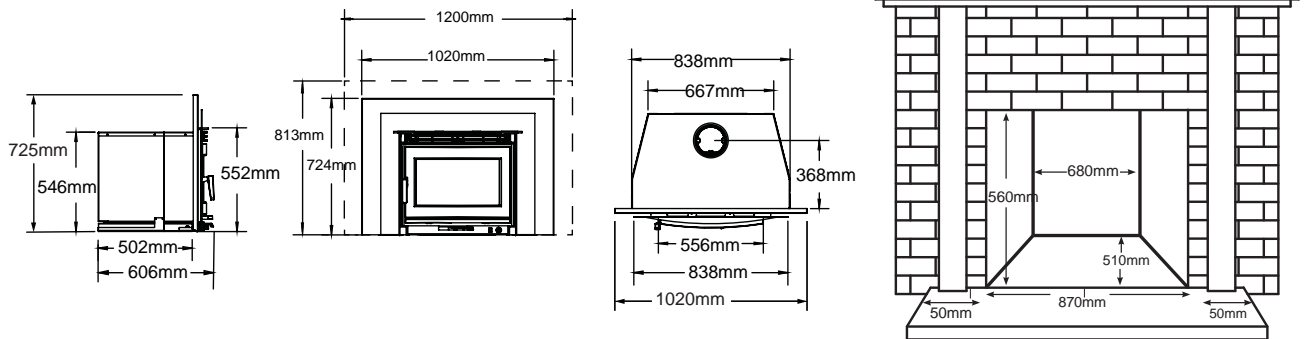
ADD-ONS

Deep Recess Extension: Add 75mm to the fascia depth



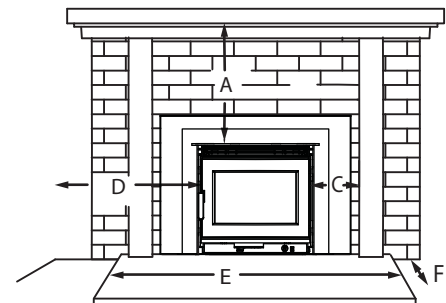
Finish Options: Choose Metallic Black or Stainless front trim

DIMENSIONS



MINIMUM CLEARANCE TO COMBUSTIBLES

A: Mantel	405mm	E: Hearth Width	872mm
C: Mantel Upright	250mm	F: Hearth Depth	500mm
D: Adjacent Sidewall	380mm	(Measured from Front of Appliance Base)	



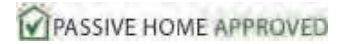
NEO RANGE
FP25 ZERO CLEARANCE
HIGH EFFICIENT WOOD HEATERS



Heat Output	280–300m²
Avg Efficiency	72%
Max Efficiency	75%
Emissions	1.0 gm/kg
Burn Time	10-14 hours
Log Size (max)	450mm
Weight	277kg

NEO RANGE FP25 ZERO CLEARANCE

HIGH EFFICIENT WOOD HEATERS



The FP25 is the first passive home approved inbuilt wood heater. Outside air brings air into the heater, and the insulated flue keeps the heat in the room.

Purpose built to be zero clearance, the FP25 can be installed into any home, not just into a pre-existing fireplace.

Pacific Energy has included the latest technology, including a draft breaker for high ceilings, a dual speed automatic fan, and a fully stainless-steel baffle that returns the smoke.

The FP25 isn't just a wood heater – it's an advanced heating system combining innovation, efficiency, and design to offer unmatched comfort and performance.



STANDARD

- Steel Firebox with 8mm thick steel: 10 year warranty
- 304 grade Stainless Steel Baffle: 10 year warranty
- Cast Iron Door: With roller door handle for ease of closing
- Wide Firebox: Takes 400mm long wood
- True Slow Combustion: Offering overnight burn

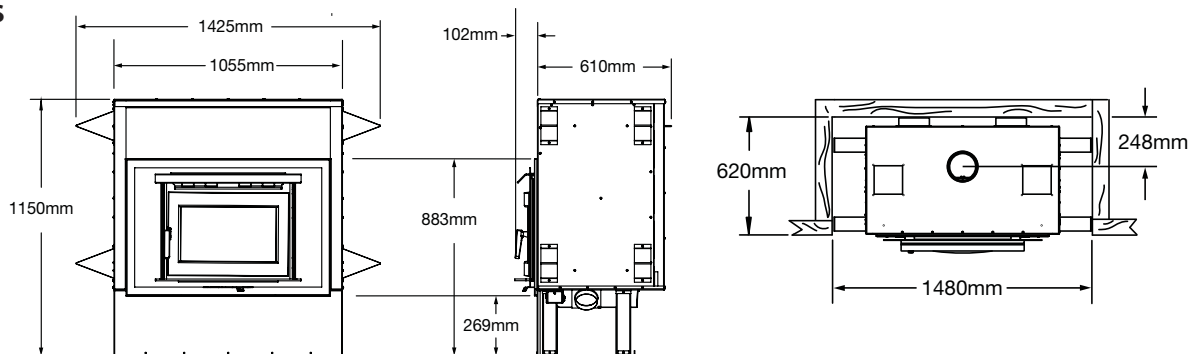
- EBT: Automatic draft breaker, perfect for homes with excess flue
- Clean Glass Tech: Turbulent air wash for cleaner glass
- Direct Air: Bellow air direct into coals for fast lighting
- Fully fire bricked lined
- 2 Fans: Automatically Controlled
- Zero Clearance: Perfect for a new install

ADD-ONS

+ Outside Air Adapter: Perfect for new homes

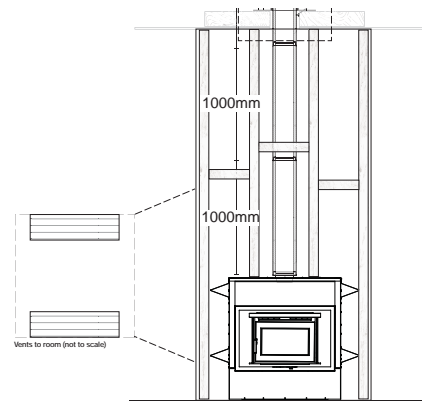
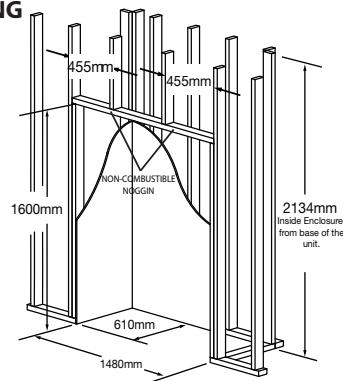
Ducting Kit: 2+ optional ducts can be added

DIMENSIONS



ZERO CLEARANCE FRAMING

- Cavity Height: 1600 mm
- Cavity Width: 1480 mm
- Cavity Depth: 610 mm



STEEL RANGE VISTA INSERT

THE NEXT GENERATION OF WOOD HEATERS



What is ACMS?

The Advanced Combustion Management System (ACMS) is like cruise control for your wood heater. Using real-time temperature readings from the flue and firebox, the ACMS automatically adjusts airflows to optimize combustion.

Simply set your desired heat level with the air control, and the ACMS takes over, delivering consistent performance and maximum efficiency.

Heat Output

Avg Efficiency

Max Efficiency

Emissions

Burn Time

Log Size (max)

Weight

Manual

220+m²

69%

76%

0.97gm/kg

12 hours

430mm

127kg

ACMS

220+m²

75%

83%

0.6gm/kg

16 hours

430mm

129kg

STEEL RANGE VISTA INSERT

THE NEXT GENERATION OF WOOD HEATERS

Designed for installing into existing fireplaces, the Vista LE2 insert is perfect for the medium size home

Available in its standard configuration or with the optional ACMS (Advanced Combustion Management System) for enhanced performance.

Vista Insert LE2 (Manual)

Efficiency: 69%

Emissions: 0.97gm/kg

Burn Time: 10 - 12 hours

Vista Insert LE2 Smart Heater (with ACMS)

Upgrade your Alderlea T4 LE2 with the optional ACMS, an advanced electronic thermostat system. The ACMS continually monitors and adjusts your fire's primary and secondary air intake to ensure cleaner, longer, and more efficient burns.

Benefits of Adding ACMS:

Improved Efficiency: Boosts efficiency from 69% to 75%, saving up to 1 ton of wood annually.

Emissions: 0.6gm/kg

Extended Burn Time: Increases burn duration to an impressive 15+ hours.

STANDARD

Steel Firebox with 8mm thick steel: 10 year warranty

304 grade Stainless Steel Baffle: 10 year warranty

Cast Iron Door: With roller door handle for ease of closing

Deep Firebox: Takes 430mm long wood

True Slow Combustion: Offering long burn time

EBT: Automatic draft breaker, perfect for homes with excess flue


Clean Glass Tech: Turbulent air wash for cleaner glass

Direct Air: Bellow air direct into coals for fast lighting

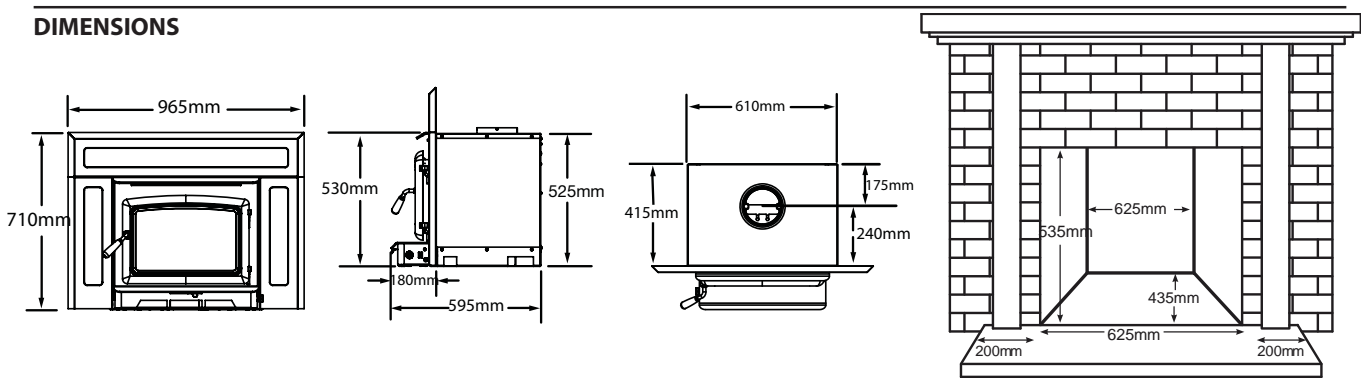
Fully fire bricked lined

2 Fans: Automatically Controlled

ADD-ONS

+  Outside Air Adapter: Perfect for new homes

DIMENSIONS



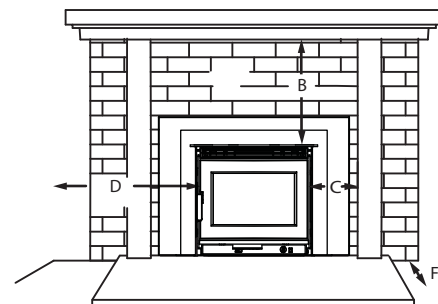
MINIMUM CLEARANCE TO COMBUSTIBLES

B: Mantel Key 325mm
(Measured From Top of Brow)

F: Hearth Depth 450mm
(Measured from Front of Appliance Base)

C: Mantel Upright 240mm

D: Adjacent Sidewall 325mm
(Measured from Side of Door)



ALDERLEA RANGE
T5 INBUILT
HIGH EFFICIENT WOOD HEATERS



Heat Output	250–280m²
Avg Efficiency	60%
Max Efficiency	63%
Emissions	0.6 gm/kg
Burn Time	8-12 hours
Log Size (max)	450mm
Weight	222kg

ALDERLEA RANGE T5 INBUILT

HIGH EFFICIENT WOOD HEATERS

The stunning Alderlea inbuilt wood heater is the perfect way to transform your fireplace into an efficient heating system with traditional cast iron styling.

The classic design is all quality with a cast iron fascia and door, that combines old style charm with the most modern technically advanced heater.

True slow combustion, the Alderlea inbuilt is built to burn all night long to keep your home warmer longer.

Like all Pacific Energy inserts, it's easy to light, easy to use, and provides a clear view of the flame. With a 2-speed automatically controlled fan, clean-glass airwash technology and heavy-gauge overbuilt construction, the T5 inbuilt will provide many years of comfort and enjoyment.



Metallic Black

Antique White

STANDARD

- Steel Firebox with 8mm thick steel: 10 year warranty
- 304 grade Stainless Steel Baffle: 10 year warranty
- Cast Iron Door: With roller door handle for ease of closing
- Wide Firebox: Takes 400mm long wood
- True Slow Combustion: Offering overnight burn

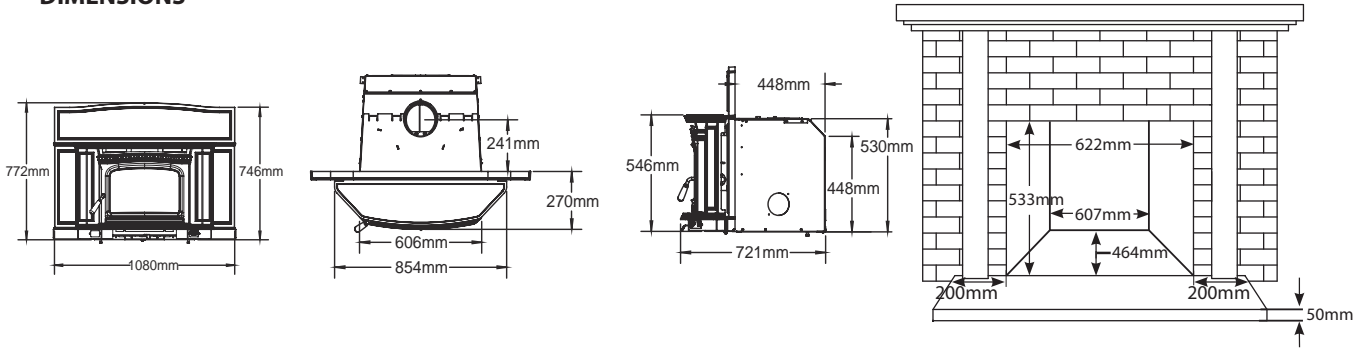
- EBT: Automatic draft breaker, perfect for homes with excess flue
- Clean Glass Tech: Turbulent air wash for cleaner glass
- Direct Air: Bellow air direct into coals for fast lighting
- Fully fire bricked lined
- 2 Fans: Automatically Controlled

ADD-ONS



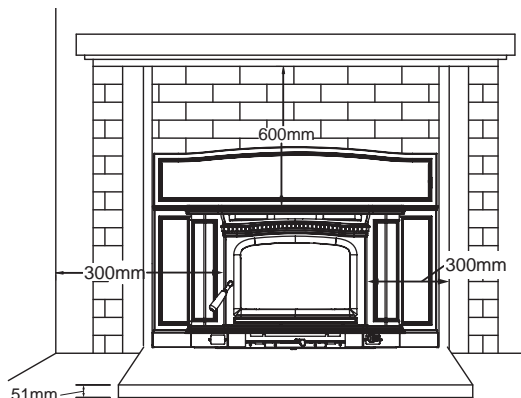
Finish Options: Black or vitreous enamel Antique

DIMENSIONS



MINIMUM CLEARANCE TO COMBUSTIBLES

- A: Mantel 600mm
- C: Mantel Upright 300mm
- D: Adjacent Sidewall 300mm
(Measured from Side of Door)
- E: Hearth Width 1022mm
- F: Hearth Depth 400mm
(Measured from Front of Appliance Base)



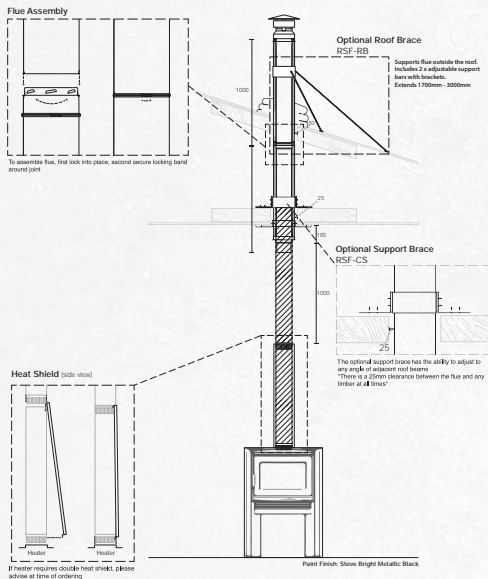
PERFORM BETTER WITH THE RIGHT FLUE

FREESTANDING OPTIONS

Both kits suit:	Vista LE	7	Alderlea T4	13	Neo 1.6	19
	Super LE	9	Alderlea T5	15	Neo 2.5	21
	Summit LE	11	Alderlea T6	17	Alberni	23

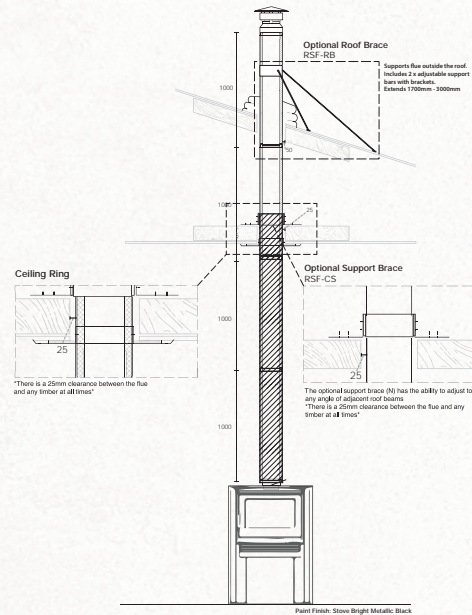
Insulated Room Sealed Flue Kit

Standard Ceiling 4m Flue Kit
Painted Stainless Steel with Painted Heat Shield

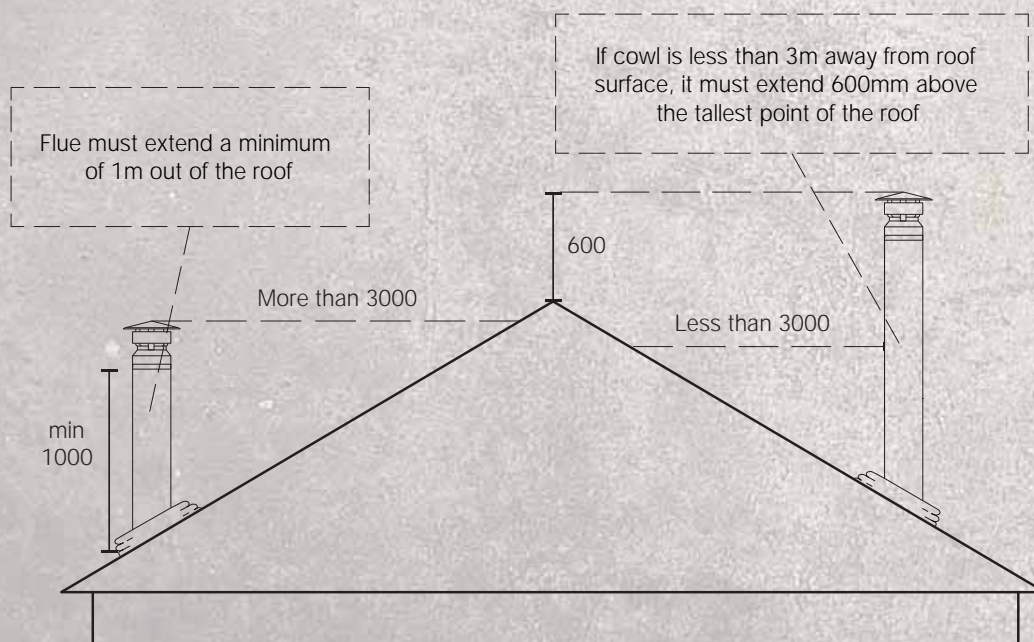


Insulated Room Sealed Flue Kit

Fully Sealed 4m Flue Kit
Painted Insulated RSF from the heater
Stainless Steel RSF outside the home



ROOF TERMINATION CLEARANCES

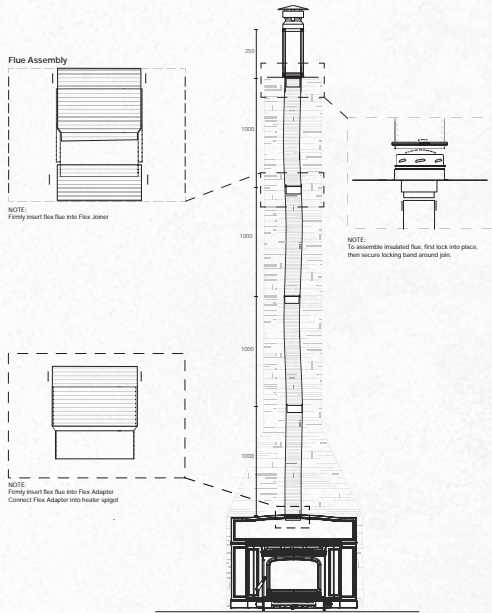


INBUILT OPTIONS

Suits:	Neo 1.6 In	25
	Neo 2.5 In	27
	Vista In	31
	Alberni In	33

Insulated Room Sealed Flue Kit

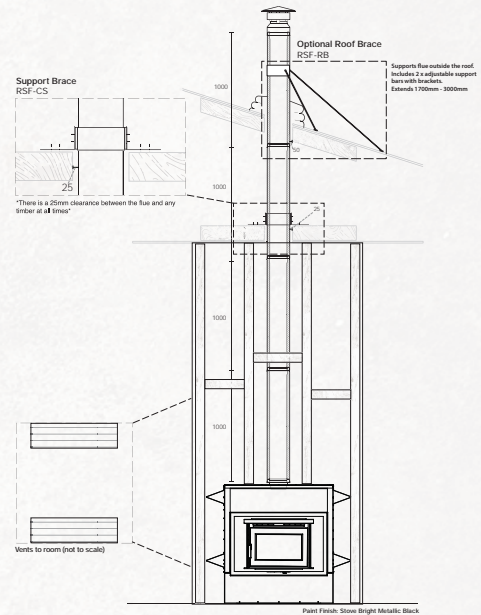
Inbuilt FLEXI 4.25m Flue Kit
Masonry Fireplaces



Suits:	FP25	29
--------	------	-----------

Insulated Room Sealed Flue Kit

Fully Sealed Zero Clearance 4m Flue Kit
Only approved for Pacific Energy FP25



THE FIVE THINGS CHOOSE YOUR...

- 1.** Wood heater
- 2.** RSF Flue Kit
- 3.** Hearth
- 4.** Flashing
- 5.** Installation



CANADA'S FINEST STOVES

	Heats			Performance		Features			Clearances (mm)		
	180-200 m ²	200-230 m ²	280-300 m ²	Efficiency	Emissions in gms	Zero Clearance	Outside Air	Fan	Rear	Side	Corner
Vista LE2 with ACMS	●●			69% 75%	0.9 0.6	●		Opt.	175	350	200
Super LE	●●			67%	0.7	--	●	Opt.	100	375	200
Summit LE			●●	64%	1.1	--	●	Opt.	175	250	225
Alderlea T4 LE2 with ACMS	●●			69% 75%	0.9 0.6	●		Opt.	175	350	200
Alderlea T5 LE	●●			67% 75%	0.7 0.6	--	●	Opt.	100	375	200
Alderlea T6 LE			●●	64%	1.1	--	●	Opt.	175	250	150
Neo 1.6 LE	●●			75%	0.7	--	●	Opt.	120	250	150
Neo 2.5 LE			●●	82%	1.0	--	●	Opt.	100	300	80
Alberni 2.5 LE			●●	82%	1.0	--	●	Opt.	150	400	80
Vista Insert LE2 with ACMS	●●			69% 75%	0.9 0.6	--		●	--		-
Alderlea T5 Inbuilt LE	●●			67%	1.1	--	●	●	--		-
Neo 1.6 Insert LE	●●			72%	1.0	●●		●	--		-
Neo 2.5 Insert LE			●●	67%	1.1	●●		●	--		-
FP25 Insert LE			●●	67%	1.1	●●	●	●	--		-

* all products subject to change without warning. Due to the limitations of the printing process, it is not possible to replicate colours exactly in a print format. Please check with your local Pacific Energy retailer for colour samples.

Canadian-made Wood Heaters and Inbuilts proudly distributed by
Pivot Stove & Heating Australia in conjunction with Pacific Energy Fireplace Products

For more information and current product updates, visit pivotstove.com.au

