

# Rinnai



## Rinnai EL

Electric Fireplace

# Luxury Ignited

Make a statement with the Rinnai EL Electric Fireplace, redefining home luxury with elegance and innovation. Designed to captivate, it features ultra-realistic flames powered by Truburn Flame Technology, dynamic glowing logs, and immersive sound effects that evoke the ambiance of a real fire.

With no flueing required, installation is effortless, simply plug in and transform any space into a refined sanctuary.

Smart control and voice integration allow seamless operation, while customisable flame effects let you tailor the atmosphere to suit your style. Available in four sizes (1000mm to 1800mm), and with 2kW & 3kW heating capacities\*, the Rinnai EL range adapts to contemporary interiors with ease.

More than a fireplace, it's luxury ignited.



Ultra-realistic customisable flames



Advanced heating options (2kW and 3kW models\*)



Dynamic fuel bed with realistic glowing logs



High-quality speakers deliver authentic fire sounds



Versatile size options (1000mm - 1800mm)



Smart control and voice integration



Rinnai EL 1000mm (EL 1000) - Front Installation

\*2kW heating capacity: EL 1000, EL 1300. 3kW heating capacity: EL 1500, EL 1800.





Rinnai EL 1800mm (EL 1800) - Front Installation

# Features and Benefits

## Aesthetics



### Ultra-realistic flames

Truburn Flame Technology projects high-definition videos of real wood fire flames, smoke, and sparks onto angled glass, creating a visual masterpiece.



### Customisable visual features

Create your perfect mood with 4 flame styles, 9 log colours, 9 fuel bed colours, and adjustable brightness settings to suit any style.



### Dynamic fuel bed with realistic glowing logs

Featuring our most realistic logs yet, with internal illumination that mimics the charring and glow of a real fire for elevated authenticity.



### Versatile size options (1000mm - 1800mm)

With four size options (1000mm, 1300mm, 1500mm, and 1800mm), you can effortlessly find the ideal Rinnai EL to complement your space.



### Versatile installation choices

Unlike traditional gas and wood fireplaces, the Rinnai EL Electric Fireplace requires no vents or flues, allowing for installation in a Front, Corner, or Panoramic configuration.



### Additional trim options available

Optional 25mm slim and 50mm wide trim (available as an optional additional purchase).

## Technology



### Advanced heating options

Available in 2kW (1000mm & 1300mm) and 3kW (1500mm & 1800mm) models, the Rinnai EL range delivers efficient heating with thermostatic control and a cool blow function for year-round comfort.



### High-quality speakers deliver authentic fire sounds

High-quality speakers deliver realistic fire crackling sounds, adding a multi-sensory experience to your home.



### Smart control and voice integration

Control your fireplace effortlessly with voice commands, smart device integration, or the easy-to-use remote.



### Open window detection mode for optimised energy efficiency

This smart feature detects open windows and adjusts heating accordingly, preventing energy waste while maximizing cost savings and efficiency.



### 'Favourite' mode to save preferred flame/fuel bed settings

Save your ideal flame, log, and fuel bed settings with one touch, so you can quickly recreate your perfect ambiance whenever you like.



### Hourly timer mode

Enjoy lasting warmth with automatic shut off after a set period, letting you relax without the need to remember to turn it off manually.



### 7-day programmable timer with adaptive smart heating

Program the fireplace to suit your schedule, with smart heating that adapts to your routine, offering energy efficiency and convenience.

# Experience Truburn Flame Technology

Truburn Flame Technology elevates the electric fire experience to a whole new standard with technology that produces incredibly realistic, dynamic flames that dance just like a real fire.

The Truburn system features glowing logs that radiate warmth, paired with intricate sound effects to mimic the crackling ambiance of a traditional fire.

At the heart of this innovation is a uniquely crafted log arrangement that works seamlessly with the flame design.

High-definition videos of real wood fire flames are expertly mapped to the contours of the logs, creating a mesmerising, life-like effect through precise projection onto an internal glass panel.

Whether you choose a Front, Corner, or Panoramic installation, our Truburn technology guarantees an unmatched level of realism and an elegant touch to any room.



### High-Definition Wood Fire Flames

An advanced LCD screen expertly projects high-definition videos of real wood fire flames onto the internal glass panel, delivering a stunningly realistic fire effect.

### Realistic Flames, Sparks and Smoke

Lifelike flames, drifting smoke, and glowing sparks work together to replicate the mesmerising ambiance of a traditional wood-burning fire.



### Internal Glass Panel

The internal angled glass design enhances depth, realism and precision of the projected flames to create a more immersive and dynamic flame display.

### Glowing Logs

The Truburn system features glowing logs that emit a warm, natural glow, enhancing the authentic look and feel of a real fire.

# Instant Heat at Your Fingertips

The Rinnai EL Electric Fireplace is designed with convenience in mind, offering four intuitive control options for ultimate flexibility and seamless operation.

**The Rinnai EL fireplace can be conveniently controlled in four ways:**



## Multi-Function Panel

Manual control using the multi-function panel discretely located on the appliance



## Remote Control

With the intuitive remote control handset



## Smart Device

Control via the app using your smart device, (such as phone or tablet) using Wi-Fi connectivity



## Voice Control

Effortlessly adjust settings with simple voice commands

With built in Wi-Fi connectivity, enhance your user experience with our smart app enabling you to control your appliance from anywhere. The app allows you to set tailored programs, schedule on/off times, set temperatures, design custom light effects, plus much more.

The quick start heat option allows you to select low heat, high heat, or cool blow at the touch of a button. Whilst adaptive smart heating allows you to schedule the exact time and date you wish to heat your room, automatically adjusting the environment to reach and maintain the desired temperature.





# Smart Technology

With Rinnai, the combination of functionality and smart technology and added voice control using Amazon Alexa and Google Assistant creates the ultimate home heating experience. Your appliance will synchronise with your smart device, such as phone or tablet, putting you in complete control. The latest sensor technology helps to create our most efficient appliance ever, ensuring that the room is heated to the correct temperature at the correct time with optimum energy usage.

We are committed to a sustainable future, ensuring that our appliances make the most efficient use of energy. All Rinnai appliances benefit from temperature detection and regulation technology; if there is sudden drop in room temperature, perhaps caused by an open window or door. The open window detection mode identifies open windows and doors, and adjusts heating accordingly to prevent energy wastage.

For further information speak to your Rinnai Specialist Fire Dealer.



# EL 1000

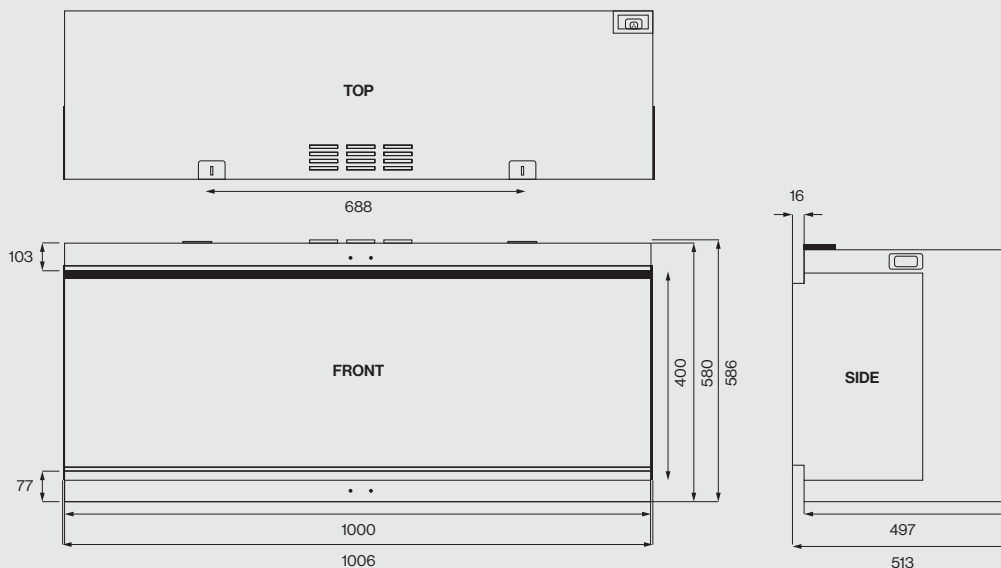


## Rinnai EL Electric Fireplace 1000mm

Experience the next generation of electric fires with the Rinnai EL 1000. Featuring an ultra-realistic flame with customisable colours, flame height, and movement, enhanced by mesmerising smoke and spark effects. The exquisitely crafted fuel bed showcases our most lifelike logs yet, illuminated from within to create a captivating glow that mimics the natural warmth and charring of a real fire.

### Features

- 586 x 1006 x 513mm (dimensions H x W x D)
- 2kW heat setting with cool blow option
- Flame effect can be operated with or without heat function
- 9 fuel bed colour, 9 log colours and 4 flame style options
- Independent control of illumination for fuel bed, logs and downlight with colour change and brightness settings
- Realistic spark sounds with advanced speaker
- Easy to use remote control handset
- User-friendly App, controlled via your smart device
- 'Favourite' mode to save your preferred flame/log/fuel bed settings
- Maintain a constant room temperature using the thermostatic control feature
- Hourly timer mode
- 7-day programmable timer with adaptive smart heating
- Open window detection mode for optimised energy efficiency
- Optional Ambient Light Kit compatible (available as an optional additional purchase)
- Optional 25mm slim and 50mm wide trim (available as an optional additional purchase)



# EL 1300

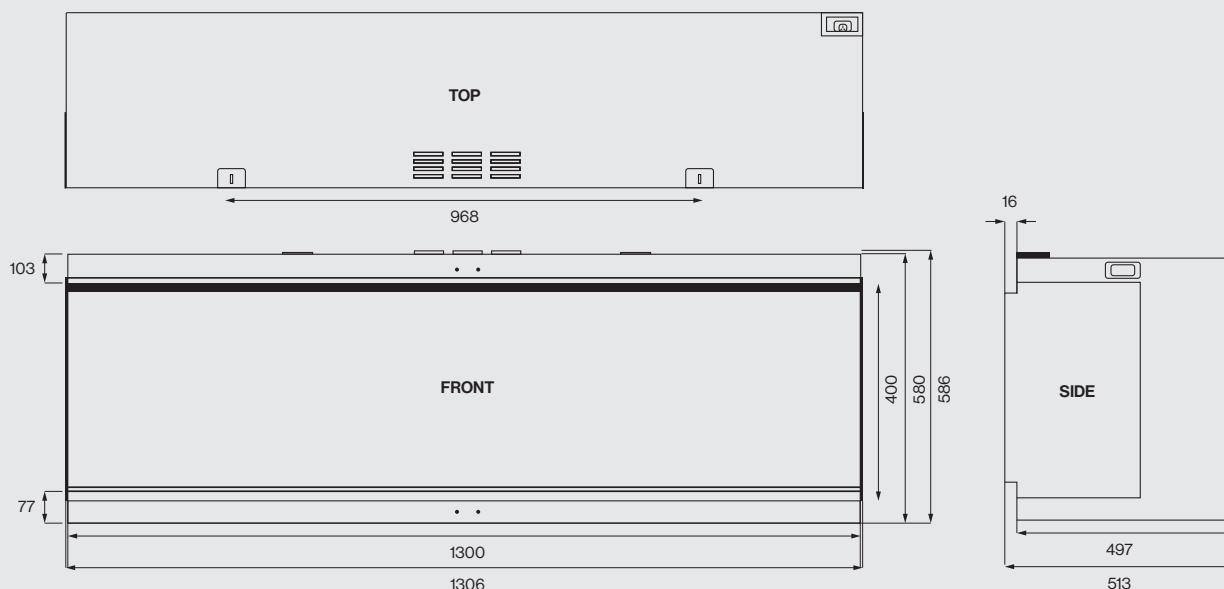


## Rinnai EL Electric Fireplace 1300mm

The Rinnai EL 1300 delivers a breathtaking visual experience with ultra-realistic flames that create a warm and inviting ambiance. Designed with sophistication and cutting-edge technology, it seamlessly enhances any space while providing heat at the touch of a button. A perfect balance of style and performance, the Rinnai EL 1300 is an exceptional choice for contemporary interiors.

### Features

- 586 x 1306 x 513mm (dimensions H x W x D)
- 2kW heat setting with cool blow option
- Flame effect can be operated with or without heat function
- 9 fuel bed colour, 9 log colours and 4 flame style options
- Independent control of illumination for fuel bed, logs and downlight with colour change and brightness settings
- Realistic spark sounds with advanced speaker
- Easy to use remote control handset
- User-friendly App, controlled via your smart device
- 'Favourite' mode to save your preferred flame/log/fuel bed settings
- Maintain a constant room temperature using the thermostatic control feature
- Hourly timer mode
- 7-day programmable timer with adaptive smart heating
- Open window detection mode for optimised energy efficiency
- Optional Ambient Light Kit compatible (available as an optional additional purchase)
- Optional 25mm slim and 50mm wide trim (available as an optional additional purchase)



# EL 1500

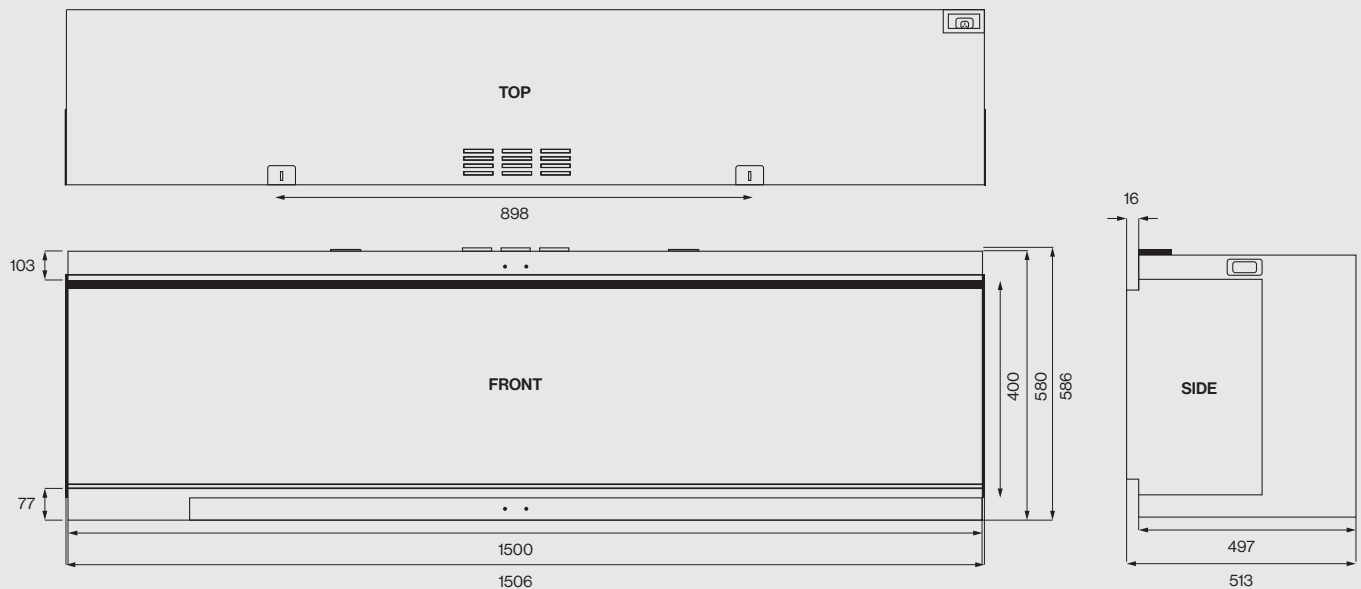


## Rinnai EL Electric Fireplace 1500mm

The Rinnai EL 1500 delivers a truly exceptional visual experience, showcasing lifelike flames that create a captivating ambiance. Designed with elegance and equipped with advanced features, it effortlessly elevates your space while providing radiant heating at the touch of a button. Experience the perfect blend of beauty and functionality with the Rinnai EL 1500 - a standout choice for sophisticated interiors.

### Features

- 586 x 1506 x 513mm (dimensions H x W x D)
- 3kW heat setting with cool blow option
- Flame effect can be operated with or without heat function
- 9 fuel bed colour, 9 log colours and 4 flame style options
- Independent control of illumination for fuel bed, logs and downlight with colour change and brightness settings
- Realistic spark sounds with advanced speaker
- Easy to use remote control handset
- User-friendly App, controlled via your smart device
- 'Favourite' mode to save your preferred flame/log/fuel bed settings
- Maintain a constant room temperature using the thermostatic control feature
- Hourly timer mode
- 7-day programmable timer with adaptive smart heating
- Open window detection mode for optimised energy efficiency
- Optional Ambient Light Kit compatible (available as an optional additional purchase)
- Optional 25mm slim and 50mm wide trim (available as an optional additional purchase)



# EL 1800



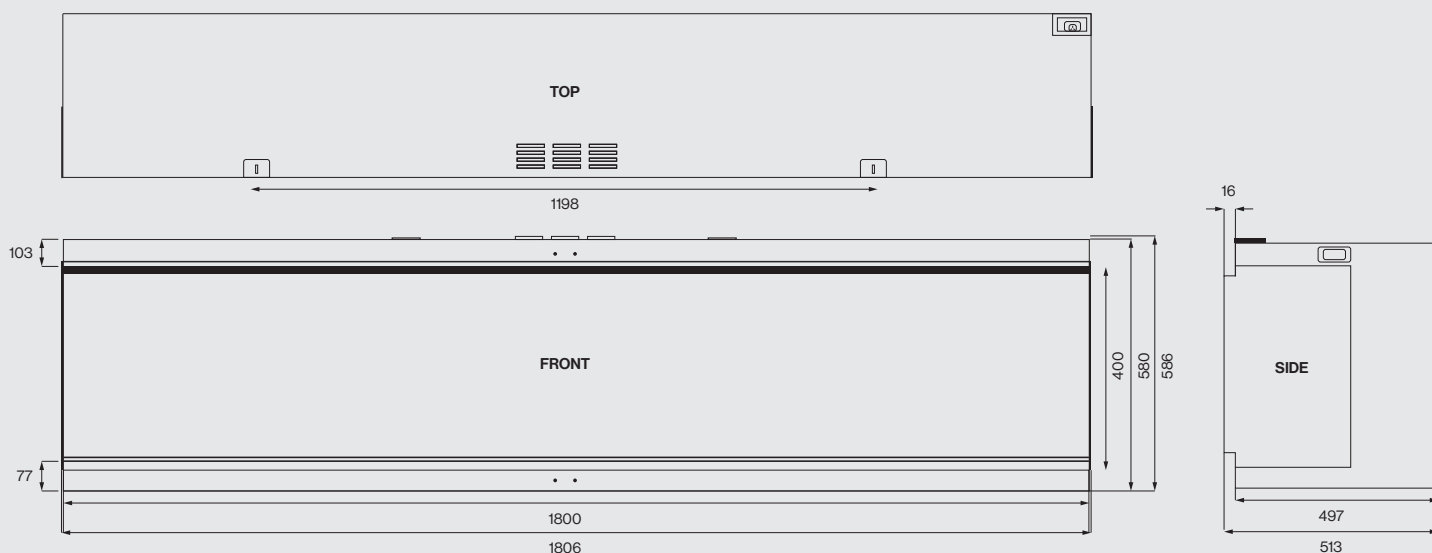


## Rinnai EL Electric Fireplace 1800mm

The Rinnai EL 1800 electric fire offers a stunning visual display, featuring realistic flames that enhance any space with a warm, inviting glow. Designed for both style and performance, it seamlessly combines elegance with cutting-edge technology, delivering heat at the press of a button. The Rinnai EL 1800 is the perfect fusion of beauty and functionality, making it an outstanding choice for modern, sophisticated interiors.

### Features

- 586 x 1806 x 513mm (dimensions H x W x D)
- 3kW heat setting with cool blow option
- Flame effect can be operated with or without heat function
- 9 fuel bed colour, 9 log colours and 4 flame style options
- Independent control of illumination for fuel bed, logs and downlight with colour change and brightness settings
- Realistic spark sounds with advanced speaker
- Easy to use remote control handset
- User-friendly App, controlled via your smart device
- 'Favourite' mode to save your preferred flame/log/fuel bed settings
- Maintain a constant room temperature using the thermostatic control feature
- Hourly timer mode
- 7-day programmable timer with adaptive smart heating
- Open window detection mode for optimised energy efficiency
- Optional Ambient Light Kit compatible (available as an optional additional purchase)
- Optional 25mm slim and 50mm wide trim (available as an optional additional purchase)



# Optional Extras/Trims

## Trims

Enhance your electric fireplace with customisable trim options, available in 25mm and 50mm sizes. These sleek borders provide a refined, tailored finish, allowing you to personalise the look of your fire to complement your space.

Product Code	Product Description
EL1000ST25	EL 1000 SLIM TRIM 25MM
EL1000WT50	EL 1000 WIDE TRIM 50MM
EL1300ST25	EL 1300 SLIM TRIM 25MM
EL1300WT50	EL 1300 WIDE TRIM 50MM
EL1500ST25	EL 1500 SLIM TRIM 25MM
EL1500WT50	EL 1500 WIDE TRIM 50MM
EL1800ST25	EL 1800 SLIM TRIM 25MM
EL1800WT50	EL 1800 WIDE TRIM 50MM

## Ambient Lighting

The ambient lighting kit is a specially designed 3-metre flexible LED strip with a 2-metre extension cable (non-illuminated). Its colour setting is independent to the fuel bed colour setting, ensuring flexibility in lighting customisation. Control options include a remote, and it is also compatible with the app or voice control for added convenience.

Product Code	Product Description
ELLIGHTKIT	EL AMBIENT LIGHT KIT

### Slim Trim



### Wide Trim



### Ambient Lighting Kit





Rinnai EL 1000mm (EL 1000) - Front Installation

# Specifications

Model	Unit	EL1000	EL1300	EL1500	EL1800
Weight Net/Gross	kg	65/84	83/105	89/115	103/134
Gross Dimension H x W x D	mm	805 x 1070 x 575	805 x 1370 x 575	805 x 1570 x 575	805 x 1870 x 575
Product Dimension H X W x D	mm	586 x 1006 x 513	586 x 1306 x 513	586 x 1506 x 513	586 x 1806 x 513
Mains Electricity Supply	VAC/Hz	230-240/50	230-240/50	230-240/50	230-240/50
Three Pin Plug Type	Amp	10	10	15	15
Length of Power Lead	mm	1700	1700	1800	1800
Max. Continuous Heat Output	W	2000W	2000W	3000W	3000W
Power for Flame Effect	W	45	75	75	85
Nominal Heat Output	W	2000W	2000W	3000W	3000W
Minimum Heat Output	W	1000W	1000W	1500W	1500W
Stand-By Power Consumption	W	3	3	3	3

## Warranty

Product Group	Parts	Labour
Residential and Light Commercial	5 Years	5 Years

### Rinnai Australia Pty Ltd

ABN 74 005 138 769

100 Atlantic Drive,  
Keysborough, Victoria 3173

For further information  
call 1300 555 545 or visit  
[rinnai.com.au](http://rinnai.com.au)

#### TOTAL HOME COMFORT



HOT WATER



HEATING



COOLING

# Rinnai