



woodpro

BY FORGE & FLAME

WP 200

Avg. Burn Time: Up to 10 hours

Avg Efficiency: 71%

Peak Efficiency: 83%

Emissions: 1.4 gms/kg

Heating Capacity: Up to 220sqm

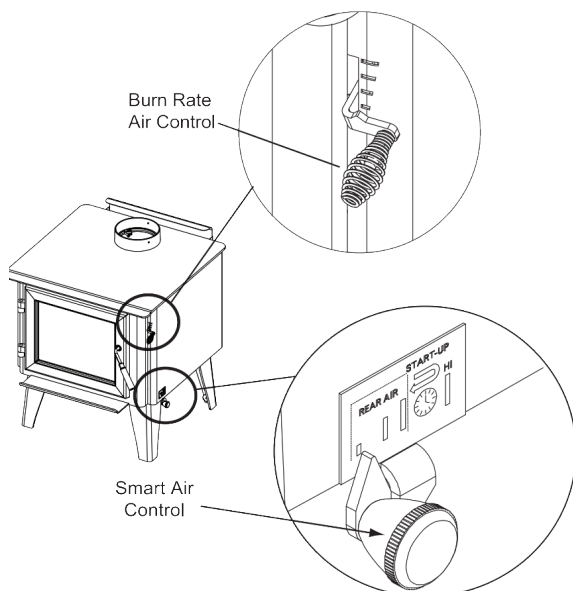
Max Log Length: 450mm

Pedestal Base option shown



Features

- Automatic Combustion Control (ACC)
- Patented four point burn technology
- Tuned for optimum burn time and performance
- Cast iron doors with large ash lip
- Solid 6-8 mm construction
- 8 mm active cook top
- Most comprehensive warranty on the market
- Comes standard with legs or optional upgraded pedestal base with wood store



Automatic Combustion Control

Automatic Combustion Control (ACC) is an advanced heat-management technology from Forge & Flame. ACC feeds the fire with air when it's needed most - for precision start-up and consistent, extended burns. Whether you are starting a cold stove, or reloading for the long burn, the automatic air control provides all the extra air to start the burning process, and then turns the stove down to your desired rate.

Four-Point Burn

The patented Four-Point Burn System produces intense rolling flames, Four combustion cycles extend the heat, enhance the fire and increase efficiency for durable, long lasting performance.

1. **Precision Start-Up**
Airflow quickly routes to the heart of the fire
2. **Clear View**
A shield of air runs behind the door, aiding combustion and keeping the glass clean
3. **Tertiary Burn Zone**
Super-heated air ignites flammable gases rising from the wood
4. **Quaternary Burn**
Remaining impurities are burned above the baffle before exiting up the chimney

WP 300

Avg. Burn Time: Up to 12 hours

Avg Efficiency: 64%

Peak Efficiency: 89%

Emissions: 1 gms/kg

Heating Capacity: Up to 270sqm

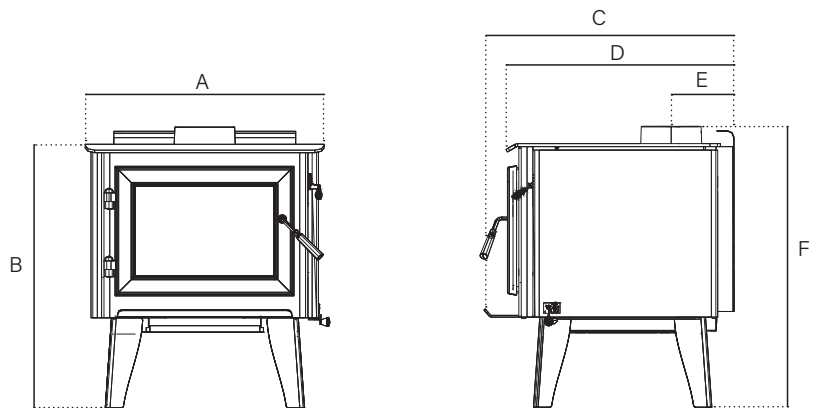
Max Log Length: 460mm



Specifications

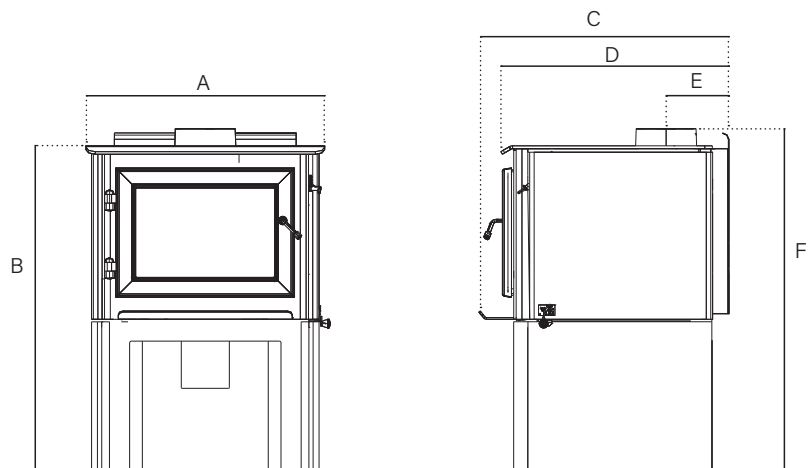
With Legs (mm)

	WP 200	WP 300
A	648	667
B	711	740
C	677	730
D	618	670
E	170	170
F	758	787



With Pedestal Base (mm)

	WP 200	WP 300
A	648	667
B	871	896
C	677	730
D	618	670
E	170	170
F	918	943

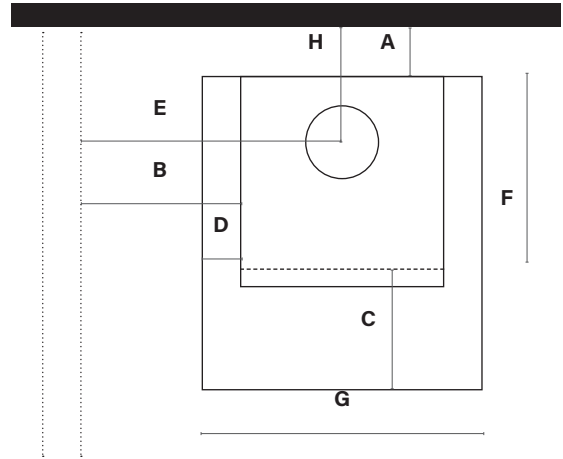


WoodPro Clearances

PARALLEL POSITIONING with Australian default flue / VisionLINE IFS kit fitted

	WP 200	WP 300
A	175	200
B	360	400
C	300	300
D	80	69
E	668	730
F	1062	1133
G	800	798
H	345	370

Measurements in millimeters



CORNER POSITIONING with Australian default flue / VisionLINE IFS kit fitted

	WP 200	WP 300
A	225	250
B	887	933
C	300	300
D	80	69
E	800	798
F	1322	1380
G	756	910
H	532	545

Measurements in millimeters

